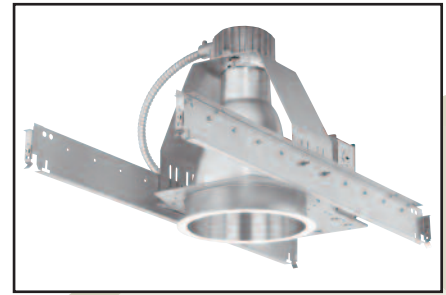


OM826QPL

8" Open Reflector Vertical Downlights

CAT. NO:

TYPE: PROJECT:



PRODUCT INFORMATION

Applications

An open reflector downlight for use with long-life energy efficient compact fluorescent lamps. Provides a uniform light distribution for general illumination of areas with low ceilings and areas requiring long hours of continuous operation such as lobbies, corridors, reception areas and offices.

Specifications

1. **Ballast** - One (1) Type 1 Class P, high power factor universal voltage electronic compact fluorescent ballast. Offers 1 lamp operation for 120 through 277 volt input voltage.

	18W 120V	18W 277V	26W 120V	26W 277V
Line current amps	.19	.08	.25	.11
Input watts including ballast loss	22	22	28	28
Ballast factor	1.00	1.00	.98+	.98+
Minimum starting temperature	0°F	0°F	0°F	0°F

2. **Mounting pan** - Precision die-stamped 16 gauge galvanized steel mounting pan and yoke assembly. Accommodates ceiling materials up to 1-3/8" thick.

3. **Installation** - Mounting pan has pre-installed C-channel with vertical and horizontal adjustments. Ballast, junction box and mounting brackets are accessible from below ceiling. For 27" flat bar hanger pair, specify Q1031 accessory, ordered separately.

4. **Reflector** - Precision spun .050 aluminum one piece reflector, self flanged with clear specular Alzak low iridescent finish. Reflector is screw mounted for positive attachment to socket assembly. Standard flat flange is painted white. Optional polished flange matching reflector finish available, add FF to catalog number.

5. **Baffle** - Precision machined .051 aluminum with deep grooves to minimize aperture glare, anodized matte black or matte white finish. Standard flat flange is painted white. Optional black flange available, add FF to catalog number.

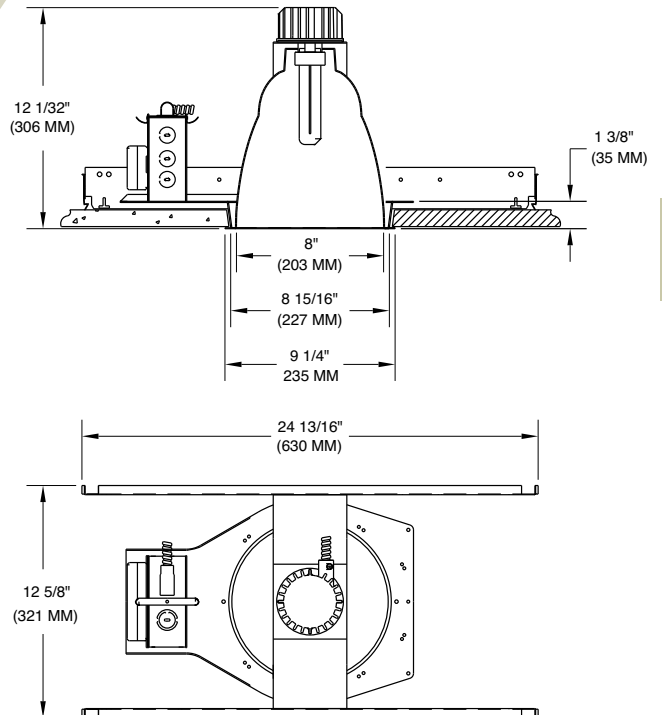
6. **Socket** - CFQ18W/G24q, CFQ26W/G24q vertically mounted plug-in type, ensures precise optical alignment and maximum performance. (Lamp ordered separately)

7. **Junction box** - Extra large 43.75-cubic inch 16 gauge galvanized steel with snap-on covers. Approved for through wiring with up to 8 #12 AWG conductors.

8. **Optional emergency system** - Emergency system includes battery, electronic circuitry, charger and test/monitor plate with test switch and charging indicator light. Test/monitor plate may be installed in the ceiling near fixture or other remote location. Operates appropriate lamp wattage for a minimum of 90 minutes following power failure. Emergency system complies with NFPA life safety code, OSHA and NEC. Suitable for dry locations.

9. **U.L. Listed** - For use in damp locations and approved for Through Branch Circuit Wiring. I.B.E.W. union made.

♣ Canadian Specifications may vary from these shown, consult Canadian Division.



8

CATALOG SYSTEM AND OPTIONS

EXAMPLE OF COMPLETE CATALOG NUMBER: **OM826QPL-CS-120/277**

OMEGA Apr.	Lamp (by others)	Reflector Option	Reflector Finish	Options	Sloped Ceiling Adapter Angle	Supply Voltage
OM8	26 QPL - Quad CFL 18 QPL - Quad CFL	BB Black Baffle	CS Clear Specular CSS Clear Semi-Specular HZ Haze GS Gold Specular WT Wheat PW Pewter BK Black BZ Bronze WH White FCS Faceted Clear Specular FCSS Faceted Clear Semi Specular FF Finish Flange (as suffix to color)	EM Emergency IE Integral Emergency FZ120 Fusing FZ277 Fusing FZ347 Fusing CP Chicago Plenum Q1031 Flat Bar Hangers SA6 Sloped Ceiling Adpt. DL1 Dimming, Lutron Compact SE, 120v DL2 Dimming, Lutron Compact SE, 277v DX1 Dimming, Advance Mark X, 120v DX2 Dimming, Advance Mark X, 277v CL Clear Lens PL Prismatic Lens FL Fresnel Lens	5 10 15 20 25 30	120/277 347 ♣



FIVE YEAR
Warranty

OM826QPL-CS Photometric Data

Clear Specular Reflector

Report Number: 20708

Lamp: (1)CFQ26W
Quad Tube

Total Lumens: 1800

Fixture Efficiency: = 62.0%

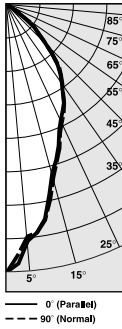
IES File: F20708.IES

S/MH Ratio = 0.7, 0.7

Beam Angle: 44.81

LIGHTING PERFORMANCE DATA		
CEILING HEIGHT* (FT.)	INITIAL FOOTCANDLES	BEAM DIAMETER (FT.-IN.)
8	41.7	4-6
10	22.4	6-2
12	14.0	7-10
14	9.5	9-6
16	6.9	11-2

DISTRIBUTION CURVE



DEGREES	CANDELA		FOOT-LAMBERTS
	AT 0°	AT 90°	
90	0	0	
85	0	0	0
75	0	0	0
65	0	0	0
55	49	43	722
45	250	254	3207
35	449	454	
25	599	611	
15	822	843	
5	1119	1098	
0 (Parallel)	0	1260	1260

COEFFICIENTS OF UTILIZATION ZONAL CAVITY METHOD

Effective Floor Cavity Reflectance 0.20

RC	80		70		50	
	50	30	50	30	50	30
RW	50	30	50	30	50	30
0	73	73	71	71	68	68
1	68	66	67	65	64	63
2	63	59	60	58	58	56
3	56	54	56	53	55	52
4	53	48	52	48	51	47
5	48	45	47	44	46	44
6	45	40	45	40	44	40
7	41	38	41	38	40	36
8	39	34	39	34	38	34
9	36	33	35	32	35	32
10	34	29	34	29	33	29

OM826QPLBB-CS Photometric Data

Clear Specular Reflector with Black Baffle

Report Number: 20701

Lamp: (1)CFQ26W

Total Lumens: 1800

Fixture Efficiency: = 53.2%

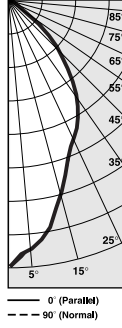
IES File: F20701.IES

S/MH Ratio = 0.8, 0.8

Beam Angle: 54.13

LIGHTING PERFORMANCE DATA		
CEILING HEIGHT* (FT.)	INITIAL FOOTCANDLES	BEAM DIAMETER (FT.-IN.)
8	31.8	5-7
10	17.1	7-8
12	10.6	9-8
14	7.3	11-9
16	5.3	13-10

DISTRIBUTION CURVE



DEGREES	CANDELA		FOOT-LAMBERTS
	AT 0°	AT 90°	
90	0	0	
85	0	0	0
75	2	2	70
65	4	4	85
55	36	38	581
45	239	200	2794
35	416	376	
25	546	512	
15	717	695	
5	900	884	
0 (Parallel)	0	961	961

COEFFICIENTS OF UTILIZATION ZONAL CAVITY METHOD

Effective Floor Cavity Reflectance 0.20

RC	80		70		50	
	50	30	50	30	50	30
RW	50	30	50	30	50	30
0	63	63	61	61	58	58
1	57	56	56	56	55	54
2	54	51	53	50	51	48
3	48	46	47	46	46	45
4	45	41	45	40	42	40
5	41	38	40	38	40	36
6	39	34	38	34	36	34
7	35	32	34	32	34	32
8	33	29	33	29	32	28
9	30	28	30	27	29	27
10	28	26	28	26	28	25

OM818QPL-CS Photometric Data

Clear Specular Reflector

Report Number: 20705

Lamp: (1)CFQ18W

Total Lumens: 860

Fixture Efficiency: = 60.2%

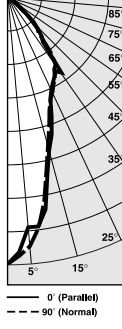
IES File: F20705.IES

S/MH Ratio = 0.6, 0.6

Beam Angle: 38.07

LIGHTING PERFORMANCE DATA		
CEILING HEIGHT* (FT.)	INITIAL FOOTCANDLES	BEAM DIAMETER (FT.-IN.)
8	32.6	3-10
10	17.5	5-2
12	10.9	6-7
14	7.4	7-11
16	5.4	9-4

DISTRIBUTION CURVE



DEGREES	CANDELA		FOOT-LAMBERTS
	AT 0°	AT 90°	
90	0	0	
85	0	0	0
75	0	0	0
65	0	0	0
55	6	2	63
45	134	114	1578
35	343	306	
25	378	388	
15	586	569	
5	854	924	
0 (Parallel)	0	985	985

COEFFICIENTS OF UTILIZATION ZONAL CAVITY METHOD

Effective Floor Cavity Reflectance 0.20

RC	80		70		50	
	50	30	50	30	50	30
RW	50	30	50	30	50	30
0	71	71	69	69	67	67
1	66	65	65	64	63	61
2	61	58	59	57	58	56
3	56	54	56	53	55	52
4	53	48	52	48	51	47
5	48	46	48	45	47	45
6	46	41	45	41	45	40
7	42	39	42	39	41	39
8	40	35	40	35	39	35
9	38	34	38	34	36	34
10	35	32	34	32	34	32

OM818QPLBB-CS Photometric Data

Clear Specular Reflector

Report Number: 20704

Lamp: (1)CFQ18W

Total Lumens: 860

Fixture Efficiency: = 53.2%

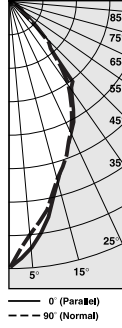
IES File: F20704.IES

S/MH Ratio = 0.7, 0.7

Beam Angle: 52.04

LIGHTING PERFORMANCE DATA		
CEILING HEIGHT* (FT.)	INITIAL FOOTCANDLES	BEAM DIAMETER (FT.-IN.)
8	26.2	5-4
10	14.1	7-4
12	8.8	9-3
14	6.0	11-3
16	4.3	13-2

DISTRIBUTION CURVE



DEGREES	CANDELA		FOOT-LAMBERTS
	AT 0°	AT 90°	
90	0	0	
85	0	0	0
75	0	0	0
65	2	2	43
55	4	10	110
45	109	107	1375
35	316	298	
25	429	427	
15	550	545	
5	736	695	
0 (Parallel)	0	792	792

COEFFICIENTS OF UTILIZATION ZONAL CAVITY METHOD

Effective Floor Cavity Reflectance 0.20

RC	80		70		50	
	50	30	50	30	50	30
RW	50	30	50	30	50	30
0	63	63	61	61	58	58
1	58	56	57	56	55	54
2	54	52	53	51	52	50
3	50	46	50	46	47	46
4	46	44	46	42	45	41
5	42	40	42	40	41	39
6	40	36	40	36	39	35
7	38	34	36	34	36	34
8	34	32	34	32	34	32
9	33	29	33	29	32	28
10	30	28	30	28	30	28

*Readings at working plane, 2'6" above floor. Beam Angle and Diameter Cutoff at 50% of max. Candlpower Coefficients used at effective reflectances of: 70% Ceiling, 50% Walls, 20% Floor
Additional photometric test files are available @ omegalighting.com

To convert values for optional reflector colors, multiply by:
Gold .90 Bronze .82 Pewter .87