

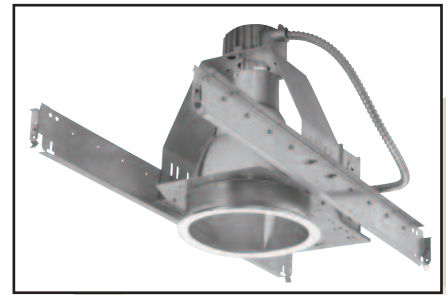
OM426PLTWW

4" Open Reflector Wall Washer

CAT. NO:

TYPE:

PROJECT:



PRODUCT INFORMATION

Applications

Small aperture reflector wall washer for use with long-life energy efficient compact fluorescent lamps. Provides uniform light distribution for vertical illumination with excellent color rendition. Ideal for lower ceilings and areas requiring long hours of continuous operation such as lobbies, corridors, reception areas and offices.

Specifications

1. **Ballast** - One (1) Type 1 Class P, high power factor universal voltage electronic compact fluorescent ballast. Offers 1 lamp operation for 120 through 277 volt input voltage.

	13W 120V	13W 277V	18W 120V	18W 277V	26W 120V	26W 277V
Line current amps	.15	.07	.19	.08	.25	.11
Input watts including ballast loss	18	18	22	22	28	28
Ballast factor	1.00	1.00	1.08	1.00	.98+	.98+
Minimum starting temperature	0°F	0°F	0°F	0°F	0°F	0°F

2. **Mounting pan** - Precision die-formed 20 gauge bonderized steel mounting pan and yoke assembly.

3. **Installation** - Mounting pan has pre-installed C-channel with vertical and horizontal adjustments. Ballast, junction box and mounting brackets are accessible from below ceiling. For 27" flat bar hanger pair, specify Q1031 accessory, ordered separately.

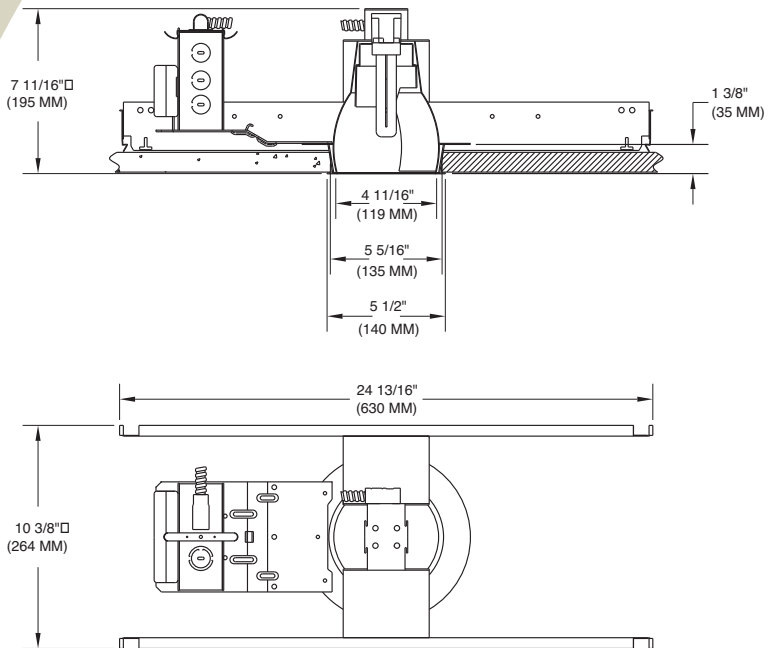
4. **Reflector** - Precision spun .051 aluminum, self flanged with clear specular Alzak low iridescent finish. Reflector is screw mounted for positive attachment to socket assembly. Separate kicker reflector standard in semi-specular clear finish. Reflector rotates 360° for proper horizontal alignment. Standard flat flange is painted white. Optional polished flange matching reflector finish available, add FF to catalog number. Optional corner distribution (CWW) and double wall distribution (DWW) available.

5. **Socket** - One (1) CFM26W/GX24q, One (1) CFM18W/GX24q, One (1) CFQ13W/G24q

6. **Junction box** - Extra large 43.75-cubic inch 16 gauge galvanized steel with snap-on covers. Approved for through wiring with up to 8 #12 AWG conductors.

7. **U.L. Listed** - For use in damp locations and approved for Through Branch Circuit Wiring. I.B.E.W. union made.

✦ Canadian Specifications may vary from these shown, consult Canadian Division.



4

CATALOG SYSTEM AND OPTIONS

EXAMPLE OF COMPLETE CATALOG NUMBER: **OM426PLTWW-CS-120/277**

OMEGA Apr.	Lamp (by others)	Reflector Type	Reflector Finish	Options	Supply Voltage
OM4	26 PLT - Triple Tube CFL 18 PLT - Triple Tube CFL 13 QPL - Quad CFL	WW Wall Wash DWW Double Wall Wash CWW Corner Wall Wash	CS Clear Specular CSS Clear Semi-Specular HZ Haze GS Gold Specular WT Wheat PW Pewter BK Black BZ Bronze WH White FF Finish Flange (as suffix to color)	EM Emergency FZ120 Fusing FZ277 Fusing FZ347 Fusing CP Chicago Plenum Q1031 Flat Bar Hangers DL1 Dimming, Lutron Compact SE, 120v DL2 Dimming, Lutron Compact SE, 277v DX1 Dimming, Advance Mark X, 120v DX2 Dimming, Advance Mark X, 277v	120/277 347 ✦



FIVE YEAR
Warranty

OM426PLTWW-CS Photometric Data

Wall Washer with Clear Reflector

Source: Compact Fluorescent
 Lamp: (1) CFM26W
 Reflectances: 80% ceiling, 50% walls, 20% floor
 Maintenance Factor: 1.0
 IES File: 22530.IES

Distance from ceiling (ft)	3' from wall, 3' on center		3' from wall, 4' on center		4' from wall, 4' on center		4' from wall, 5' on center	
	Below Fixtures	Between Fixtures	Below Fixtures	Between Fixtures	Below Fixtures	Between Fixtures	Below Fixtures	Between Fixtures
1	11.97	11.06	10.04	7.62	5.08	4.60	4.60	3.77
2	19.78	18.60	15.83	13.42	9.81	9.32	8.54	7.41
3	21.26	20.13	16.86	14.85	12.02	11.37	10.21	9.19
4	19.07	18.59	15.14	13.81	12.47	11.85	10.53	9.64
5	16.66	15.96	12.94	12.34	11.78	11.78	9.96	9.25
6	13.80	13.54	10.88	10.47	10.77	10.49	9.03	8.62
7	11.73	11.61	9.28	9.06	9.64	9.43	8.09	7.86
8	10.43	10.20	8.19	8.16	8.62	8.58	7.31	7.11
9	9.20	8.95	7.22	7.27	7.67	7.69	6.53	6.42

4

OM418PLTWW-CS Photometric Data

Wall Washer with Clear Reflector

Source: Compact Fluorescent
 Lamp: (1) CFM18W
 Reflectances: 80% ceiling, 50% walls, 20% floor
 Maintenance Factor: 1.0
 IES File: 22533.IES

Distance from ceiling (ft)	3' from wall, 3' on center		3' from wall, 4' on center		4' from wall, 4' on center		4' from wall, 5' on center	
	Below Fixtures	Between Fixtures	Below Fixtures	Between Fixtures	Below Fixtures	Between Fixtures	Below Fixtures	Between Fixtures
1	5.46	5.02	4.68	3.35	2.12	1.98	1.98	1.58
2	9.37	8.70	7.54	6.20	4.55	4.35	3.94	3.46
3	10.13	9.63	7.99	7.06	5.67	5.37	4.82	4.32
4	9.33	9.00	7.40	6.66	5.96	5.66	5.01	4.60
5	8.32	7.99	6.48	6.10	5.72	5.48	4.81	4.45
6	6.94	6.84	5.46	5.22	5.37	5.17	4.51	4.23
7	5.97	5.97	4.72	4.53	4.84	4.73	4.05	3.91
8	5.37	5.24	4.21	4.11	4.32	4.36	3.67	3.56
9	4.78	4.67	3.74	3.71	3.90	3.88	3.30	3.21

OM413QPLWW-CS Photometric Data

Wall Washer with Clear Reflector

Source: Compact Fluorescent
 Lamp: (1) CFQ13W/G24q, Quad Tube
 Reflectances: 80% ceiling, 50% walls, 20% floor
 Maintenance Factor: 1.0
 IES File: EY2180WC.IES

Distance from ceiling (ft)	2'2" from wall, 2' on center		2' from wall, 2.5' on center		2.5' from wall, 2.5' on center	
	Below Fixtures	Between Fixtures	Below Fixtures	Between Fixtures	Below Fixtures	Between Fixtures
1	9	9	8	8	5	5
2	13	13	11	11	8	8
3	12	12	9	9	9	9
4	9	9	7	7	7	7
5	7	7	6	6	6	6
6	6	6	5	5	5	5
7	5	5	4	4	4	4

Additional photometric test files are available @ omegalighting.com



OMEGA LIGHTING:
 776 South Green St., Tupelo, MS 38804
 Phone 662.842.7212 FAX 662.841.5501

CANADIAN DIVISION:
 189 Bullock Drive, Markham, Ontario, Canada L3P 1W4
 Phone 905.294.9570 FAX 800.268.0003