

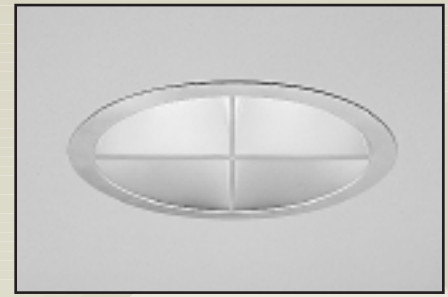
# OM82H42PLTXBWW

## 8" Parabolic Louvered Wall Washer

CAT. NO:

TYPE:

PROJECT:



### PRODUCT INFORMATION

#### Applications

Parabolic louvered wall washer downlight in a shallow housing for use with long-life energy efficient compact fluorescent lamps. Ideal for use in spaces with limited plenum depth and areas requiring long hours of continuous operation such as lobbies, corridors, reception areas, offices and public areas.

#### Specifications

1. **Ballast** - One (1) Type 1 Class P, high power factor universal voltage electronic compact fluorescent ballast. Offers 1 lamp operation for 120 through 277 volt input voltage.

	(2)18W 18W		(2)26W 26W		(2)32W 32W		(2)42W 42W	
	120V	277V	120V	277V	120V	277V	120V	277V
Line current amps	.34	.15	.49	.21	.58	.26	.76	.32
Input watts including ballast loss	40	40	56	56	69	67	91	90
Ballast factor	.98	.98	.98+	.98+	1.00	1.00	.98	.98
Minimum starting temperature	0°F	0°F	0°F	0°F	0°F	0°F	0°F	0°F

2. **Mounting pan** - Precision die-stamped 16 gauge galvanized steel. Accommodates ceiling materials up to 1-3/8" thick.

3. **Installation** - Mounting pan has pre-installed C-channel with vertical and horizontal adjustments. Ballasts and junction box are accessible from below ceiling.

4. **Reflectors** - Upper reflector provided with housing for maximum optical performance. Trim reflector is precision spun .051 aluminum, self flanged with clear Alzak low iridescent finish. Standard flat flange is painted white. Optional polished flange matching reflector finish available, add FF to catalog number.

5. **Parabolic louver** - Specular low iridescent or white painted aluminum secured to trim reflector, designed for excellent visual cutoff with maximum lumen output.

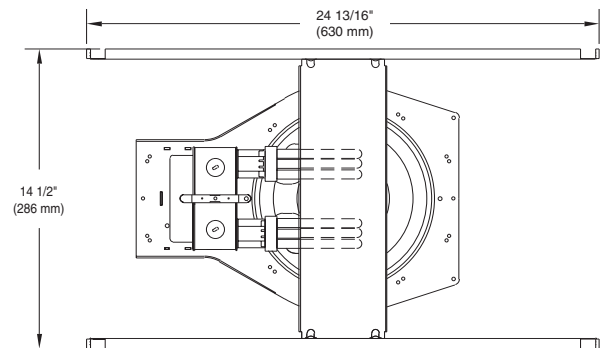
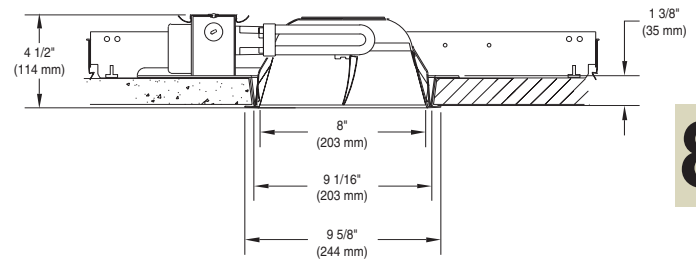
6. **Sockets** - Two (2) CFM42W/GX24q, Two (2) CFM32W/GX24q, Two (2) CFQ26W/G24q, Two (2) CFQ18W/G24q.

7. **Junction box** - Large 27.56 cubic inch 16 gauge galvanized steel with snap-on cover and ground wire riveted to frame. Approved for through wiring with up to 8 #12 AWG conductors.

8. **Optional emergency system** - Emergency system includes battery, electronic circuitry, charger and test/monitor plate with test switch and charging indicator light. Test/monitor plate may be installed in the ceiling near the fixture or other remote location. Emergency system operates appropriate lamp wattage for a minimum of 90 minutes following power failure. Battery is recharged automatically following restoration of power. Complies with NFPA life safety code, OSHA and NEC. Suitable for dry locations.

9. **U.L. Listed** - For use in damp locations and approved for Through Branch Circuit Wiring. I.B.E.W. union made.

\* Canadian Specifications may vary from these shown, consult Canadian Division.



8

### CATALOG SYSTEM AND OPTIONS

EXAMPLE OF COMPLETE CATALOG NUMBER: **OM82H42PLTXBWW-CS-120/277**

OMEGA Apr.	No. of Lamps	Lamps Position	Lamp (by others)	Reflector Type	Fixture Type	Reflector Finish*	Frame Options**	Supply Voltage
OM8	2	H	Horizontal	42 PLT Triple Tube CFL 32 PLT Triple Tube CFL 26 QPL Quad Tube CFL 18 QPL Quad Tube CFL 13 QPL Quad Tube CFL	XB - WW -	CS Clear Specular CSS Clear Semi-Specular HZ Haze GS Champagne Gold Specular WT Wheat PW Pewter FF Finish Flange (As suffix to color)	EM Emergency FZ120 Fusing FZ277 Fusing FZ347 Fusing DM Dimming DM 2 Dimming FB Flat Bar Hangers	120/277 347 *



FIVE YEAR  
Warranty

\*Consult factory for other reflector finishes. \*\*Consult factory for 13W dimming.

**OM82H42PLTXBWW-CS**

Photometric Data

**Cross Baffle Wall Washer with Clear Specular Reflector**

Source: Compact Fluorescent  
 Lamp: (1) CFM42W  
 Reflectances: 80% ceiling, 50% walls, 20% floor  
 Maintenance Factor: 1.0  
 IES File: F23514.IES

Distance from ceiling (ft)	2'5" from wall, 2'5" on center		2'5" from wall, 3' on center		3' from wall, 3' on center		3' from wall, 4' on center	
	Below Fixtures	Between Fixtures	Below Fixtures	Between Fixtures	Below Fixtures	Between Fixtures	Below Fixtures	Between Fixtures
1	20.5	20.6	18.4	18.3	19.8	19.8	16.0	15.9
2	23.4	23.4	20.7	20.6	22.3	22.2	17.8	17.8
3	27.3	27.1	23.7	23.6	25.2	25.0	19.7	20.0
4	32.8	32.4	28.1	28.3	28.9	28.9	22.3	22.7
5	39.3	39.3	33.3	33.8	32.2	32.6	25.1	24.7
6	45.0	45.6	38.2	38.1	33.5	33.2	26.6	24.6
7	45.5	44.5	39.5	36.2	28.2	26.6	23.5	18.2
8	25.7	21.8	23.7	16.5	10.5	8.0	9.3	5.6
9	3.7	3.3	3.2	2.7	2.6	2.3	2.5	2.1

**OM82H32PLTXBWW-CS**

Photometric Data

**Cross Baffle Wall Washer with Clear Specular Reflector**

Source: Compact Fluorescent  
 Lamp: (2) CFT32W  
 Reflectances: 80% ceiling, 50% walls, 20% floor  
 Maintenance Factor: 1.0  
 IES File: F23512.IES

Distance from ceiling (ft)	2'5" from wall, 2'5" on center		2'5" from wall, 3' on center		3' from wall, 3' on center		3' from wall, 4' on center	
	Below Fixtures	Between Fixtures	Below Fixtures	Between Fixtures	Below Fixtures	Between Fixtures	Below Fixtures	Between Fixtures
1	11.3	11.4	14.4	14.4	15.6	15.6	12.6	12.5
2	12.8	12.8	16.2	16.2	17.6	17.5	14.0	14.0
3	14.8	14.8	18.6	18.6	19.9	19.7	15.5	15.8
4	17.7	17.6	22.2	22.4	22.8	22.8	17.7	18.0
5	21.0	21.2	26.3	26.8	25.7	25.9	20.0	19.7
6	23.8	24.7	30.7	30.4	27.1	26.5	21.4	19.8
7	24.2	24.5	31.8	29.2	22.9	21.4	19.0	15.0
8	13.8	12.1	19.6	13.6	8.7	6.6	7.6	4.7
9	2.1	1.8	2.6	2.2	2.1	1.9	2.0	1.7

**OM82H26QPLXBWW-CS**

Photometric Data

**Cross Baffle Wall Washer with Clear Specular Reflector**

Source: Compact Fluorescent  
 Lamp: (2) CFQ26W  
 Reflectances: 80% ceiling, 50% walls, 20% floor  
 Maintenance Factor: 1.0  
 IES File: F23515.IES

Distance from ceiling (ft)	2'5" from wall, 2'5" on center		2'5" from wall, 3' on center		3' from wall, 3' on center		3' from wall, 4' on center	
	Below Fixtures	Between Fixtures	Below Fixtures	Between Fixtures	Below Fixtures	Between Fixtures	Below Fixtures	Between Fixtures
1	16.0	16.2	10.1	10.1	10.8	10.9	8.73	8.68
2	18.3	18.4	11.3	11.3	12.1	12.1	9.61	9.70
3	21.4	21.4	12.8	12.9	13.6	13.6	10.57	10.91
4	25.9	25.6	15.1	15.4	15.4	15.6	11.87	12.37
5	31.1	31.0	17.7	18.4	17.0	17.6	13.26	13.43
6	36.1	36.2	20.2	20.7	17.9	18.2	14.11	13.36
7	36.9	35.7	21.0	19.8	15.0	14.7	12.52	9.97
8	21.2	17.9	12.7	9.3	5.5	4.7	4.73	3.44
9	3.0	2.7	1.8	1.4	1.4	1.3	1.31	1.18

**OM82H18QPLXBWW-CS**

Photometric Data

**Cross Baffle Wall Washer with Clear Specular Reflector**

Source: Compact Fluorescent  
 Lamp: (2) CFQ18W  
 Reflectances: 80% ceiling, 50% walls, 20% floor  
 Maintenance Factor: 1.0  
 IES File: F23507.IES

Distance from ceiling (ft)	2'5" from wall, 2'5" on center		2'5" from wall, 3' on center		3' from wall, 3' on center		3' from wall, 4' on center	
	Below Fixtures	Between Fixtures	Below Fixtures	Between Fixtures	Below Fixtures	Between Fixtures	Below Fixtures	Between Fixtures
1	8.8	8.9	7.9	7.9	8.45	8.49	6.80	6.79
2	10.0	10.0	8.8	8.8	9.46	9.44	7.48	7.56
3	11.6	11.6	10.0	10.1	10.61	10.58	8.25	8.47
4	13.9	13.8	11.8	12.0	12.00	12.14	9.27	9.59
5	16.4	16.5	13.9	14.3	13.28	13.61	10.31	10.41
6	18.6	19.0	15.8	16.0	13.92	13.92	10.96	10.34
7	18.9	18.9	16.4	15.3	11.84	11.51	9.92	7.79
8	11.2	9.7	10.2	7.4	4.37	3.73	3.76	2.76
9	1.6	1.3	1.4	1.1	1.03	0.99	0.95	0.92

\*Readings at working plane, 2'6" above floor. Beam Angle and Diameter Cutoff at 50% of max.  
 Candlepower Coefficients used at effective reflectances of: 70% Ceiling, 50% Walls, 20% Floor  
 Additional photometric test files are available @ [omegalighting.com](http://omegalighting.com)

To convert values for optional reflector colors, multiply by:  
 Gold .90      Bronze .82      Pewter .87

