

OM82H42PLTRMDLR

8" Open Reflector Horizontal Remodeler

CAT. NO:

TYPE:

PROJECT:



PRODUCT INFORMATION

Applications

Compact Fluorescent Remodeler was designed for areas where the lights are being used for long periods of time, utilizing the energy efficient advantages of the compact fluorescent lamp. This fixture was created to provide high performance optics in an easy to install remodeler frame.

Specifications

1. **Ballast** - One (1) Type 1 Class P, high power factor universal voltage electronic compact fluorescent ballast. Offer both 1 or 2 lamp operation for 120 through 277 volt input voltage.

	(2) 18W 120V	18W 277V	(2) 26W 120V	26W 277V	(2) 32W 120V	32W 277V	(2) 42W 120V	42W 277V
Line current amps	.34	.15	.49	.21	.58	.26	.76	.32
Input watts including ballast loss	40	40	56	56	69	67	91	90
Ballast factor	.98+	.98+	.98+	.98+	1.00	1.00	.98	.98
Minimum starting temperature	0°F	0°F	0°F	0°F	0°F	0°F	0°F	0°F

2. **Frame** - Precision die-stamped plaster frame of 16 gauge steel.

3. **Installation** - Retractable spring mounting clips accommodate ceilings from 1/2" to 1-3/8" with no adjustment.

4. **Reflector** - Precision formed .050 aluminum, self flanged with clear specular Alzak® low iridescent finish. Reflector is screw mounted for positive attachment to socket assembly. Standard flat flange is painted white. Optional polished flange matching reflector finish available, add FF to catalog number.

5. **Baffle** - Precision machined .051 aluminum with deep grooves to minimize aperture glare, anodized matte black or matte white finish. Standard flat flange is painted white. Optional black flange available, add FF to catalog number.

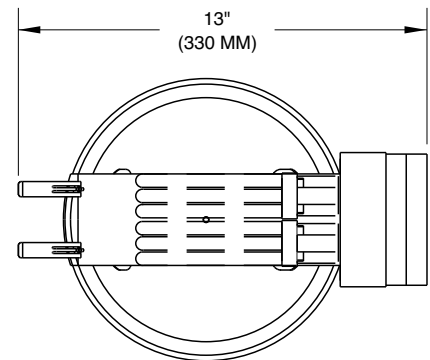
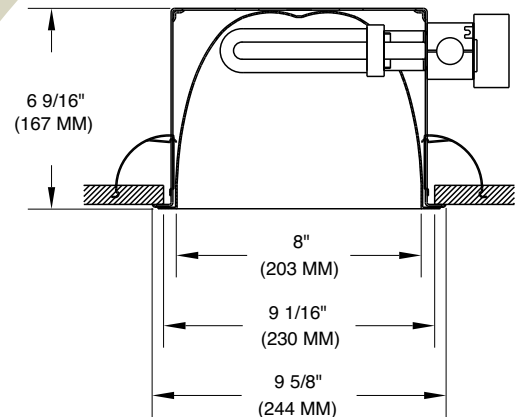
6. **Socket** - CFM42W/GX24q, CFM32W/GX24q, CFM26W/GX24q, CFM18W/GX24q, CFQ26W/G24q, CFQ18W/G24q, CFQ13W/G24q.

7. **Junction box** - 9.5 cubic inches extruded AL will accept (1) #12 AWG conductor.

8. **Optional emergency system** - Emergency system includes battery, electronic circuitry, charger and test/monitor plate with test switch and charging indicator light. Test/monitor plate may be installed in the ceiling near fixture or other remote location. Operates appropriate lamp wattage for a minimum of 90 minutes following power failure. Emergency system complies with NFPA life safety code, OSHA and NEC. Suitable for dry locations.

9. **U.L. Listed** - For use in damp locations and approved for Through Branch Circuit Wiring. I.B.E.W. union made.

* Canadian Specifications may vary from these shown, consult Canadian Division.



8

CATALOG SYSTEM AND OPTIONS

EXAMPLE OF COMPLETE CATALOG NUMBER: **OM82H42PLTRMDLR-CS120/277**

OMEGA Aprt.	No. of Lamps	Lamps Position	Lamp (by others)	Fixture Type	Reflector Finish	Options	Supply Voltage
OM8	2	H Horizontal	42 PLT Triple Tube CFL 32 PLT Triple Tube CFL 26 PLT Triple Tube CFL 18 PLT Triple Tube CFL	RMDLR - Remodel Fixture	CS Clear Specular CSS Clear Semi-Specular HZ Haze GS Gold Specular WT Wheat PW Pewter BK Black BZ Bronze WH White FCS Faceted Clear Specular FCSS Faceted Clear Semi Specular FF Finish Flange (as suffix to color)	EM Emergency IE Integral Emergency FZ120 Fusing FZ277 Fusing FZ347 Fusing CP Chicago Plenum Q1031 Flat Bar Hangers SA6 Sloped Ceiling Adpt. DL1 Dimming, Lutron Compact SE, 120v DL2 Dimming, Lutron Compact SE, 277v DX1 Dimming, Advance Mark X, 120v DX2 Dimming, Advance Mark X, 277v CL Clear Lens PL Prismatic Lens FL Fresnel Lens	120/277 347 *
	1		26 QPL Quad Tube CFL 18 QPL Quad Tube CFL 13 QPL Quad Tube CFL				



FIVE YEAR
Warranty

OMEGA LIGHTING: 776 South Green St., Tupelo, MS 38804 Phone 662.842.7212 FAX 662.841.5501

Omega Lighting is a Philips group brand

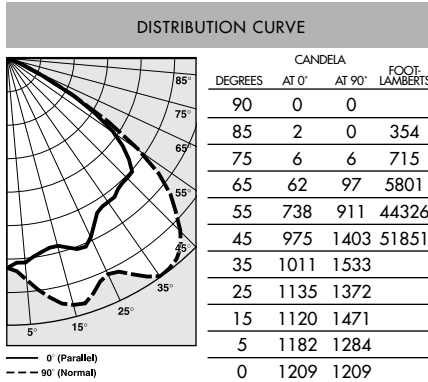


OM82H42PLTRMDLR-CS Photometric Data

Clear Specular Reflector

Report Number: 21033
 Lamp: (2) CFM42W
 Total Lumens: 6400
 Fixture Efficiency: = 63.0%
 IES File: 21033.IES
 S/MH Ratio = 1.3, 1.8
 Beam Angle: 104.86

LIGHTING PERFORMANCE DATA		
CEILING HEIGHT* (FT.)	INITIAL FOOTCANDLES	BEAM DIAMETER (FT.-IN.)
8	40.0	17-6
10	21.5	23-10
12	13.4	30-3
14	9.1	36-7
16	6.6	42-11



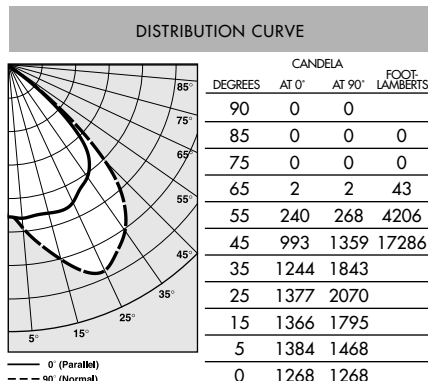
COEFFICIENTS OF UTILIZATION ZONAL CAVITY METHOD					
Effective Floor Cavity Reflectance 0.20					
RC	80		70		50
	50	30	50	30	50
RW	50	30	50	30	50
0	68	68	68	68	65
1	63	60	60	59	58
2	56	53	55	52	53
3	50	46	48	45	46
4	45	40	44	40	41
5	40	34	39	34	38
6	35	30	34	30	34
7	33	28	32	28	30
8	29	25	28	25	28
9	27	23	27	22	26
10	25	20	25	20	23

OM82H32PLTRMDLR-CS Photometric Data

Clear Specular Reflector

Report Number: 2827
 Lamp: (2) CFM32W
 Total Lumens: 4800
 Fixture Efficiency: = 73.7%
 IES File: EY5686.IES
 S/MH Ratio = 1.8, 1.5
 Beam Angle: 96.43

LIGHTING PERFORMANCE DATA		
CEILING HEIGHT* (FT.)	INITIAL FOOTCANDLES	BEAM DIAMETER (FT.-IN.)
8	48.4	12-3
10	26.0	16-9
12	16.2	21-3
14	11.1	25-8
16	8.0	30-2



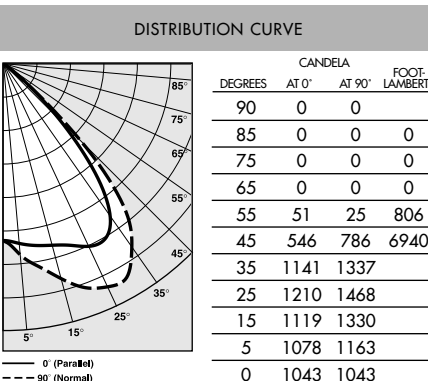
COEFFICIENTS OF UTILIZATION ZONAL CAVITY METHOD					
Effective Floor Cavity Reflectance 0.20					
RC	80		70		50
	50	30	50	30	50
RW	50	30	50	30	50
0	88	88	86	86	82
1	81	78	7	77	76
2	74	71	73	70	68
3	68	64	67	63	65
4	62	57	61	57	59
5	56	51	56	51	54
6	52	46	51	46	50
7	47	41	46	41	45
8	42	36	41	36	41
9	37	32	37	32	36
10	34	28	33	28	33

OM82H26QPLRMDLR-CS Photometric Data

Clear Specular Reflector

Report Number: L1752
 Lamp: (2)CFQ26W/G24q,Quad Tube
 Total Lumens: 3600
 Fixture Efficiency: = 68.1%
 IES File: EY5685.IES
 S/MH Ratio = 1.7, 1.5
 Beam Angle: 90.18

LIGHTING PERFORMANCE DATA		
CEILING HEIGHT* (FT.)	INITIAL FOOTCANDLES	BEAM DIAMETER (FT.-IN.)
8	37.1	11-0
10	20.0	15-0
12	12.5	19-0
14	8.5	23-0
16	6.2	27-1



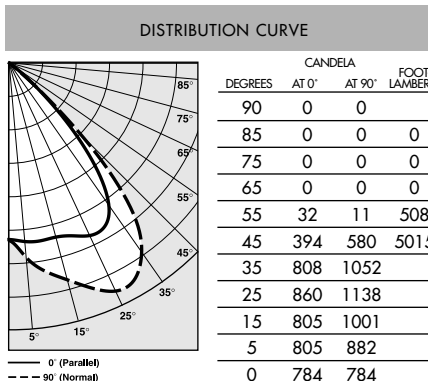
COEFFICIENTS OF UTILIZATION ZONAL CAVITY METHOD					
Effective Floor Cavity Reflectance 0.20					
RC	80		70		50
	50	30	50	30	50
RW	50	30	50	30	50
0	80	80	79	79	75
1	74	72	73	71	70
2	69	66	67	65	65
3	63	59	62	59	60
4	58	54	57	53	56
5	53	49	52	48	51
6	49	44	48	44	47
7	42	40	44	40	43
8	40	36	40	35	39
9	36	32	36	31	35
10	33	28	33	28	32

OM82H18QPLRMDLR-CS Photometric Data

Clear Specular Reflector

Report Number: L1754
 Lamp: (2)CFQ18W/G24q, Quad Tube
 Total Lumens: 2500
 Fixture Efficiency: = 73.4%
 IES File: EY5683.IES
 S/MH Ratio = 1.7, 1.5
 Beam Angle: 89.77

LIGHTING PERFORMANCE DATA		
CEILING HEIGHT* (FT.)	INITIAL FOOTCANDLES	BEAM DIAMETER (FT.-IN.)
8	28.3	10-11
10	15.2	14-11
12	9.5	18-11
14	6.5	22-10
16	4.7	26-10



COEFFICIENTS OF UTILIZATION ZONAL CAVITY METHOD					
Effective Floor Cavity Reflectance 0.20					
RC	80		70		50
	50	30	50	30	50
RW	50	30	50	30	50
0	87	87	85	85	81
1	80	78	78	77	75
2	74	71	73	70	68
3	68	64	67	63	65
4	62	58	62	57	60
5	57	52	57	52	55
6	53	48	52	48	51
7	48	43	48	43	47
8	44	39	43	38	42
9	39	34	39	34	38
10	36	31	35	30	35

*Readings at working plane, 2'6" above floor. Beam Angle and Diameter Cutoff at 50% of max. Candlpower Coefficients used at effective reflectances of: 70% Ceiling, 50% Walls, 20% Floor
Additional photometric test files are available @ omegalighting.com

To convert values for optional reflector colors, multiply by:
 Gold .90 Bronze .82 Pewter .87