

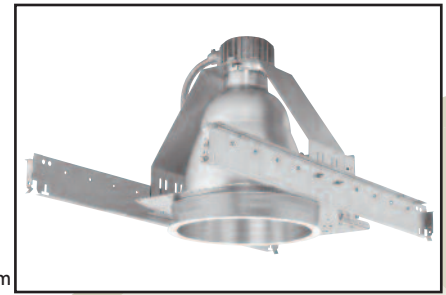
OM1070QPLND

10" Open Reflector ND Vertical Downlights

CAT. NO:

TYPE:

PROJECT:



PRODUCT INFORMATION

Applications

An open reflector downlight for use with long-life energy efficient compact fluorescent lamps. Provides uniform light distribution with excellent color rendition. Ideal for high ceilings and areas requiring long hours of continuous operation such as lobbies, corridors, reception areas and offices.

Specifications

1. **Ballast** - One (1) Type 1 Class P, high power factor universal voltage electronic compact fluorescent ballast. Offers 1 lamp operation for 120 through 277 volt input voltage.

	(1) 57W 120V	57W 277V	(1) 70W 120V
Line current amps	.48	.21	.63
Input watts including ballast loss	58	57	.75
Ballast factor	1.00	1.00	.96
Minimum starting temperature	0°F	0°F	0°F

2. **Mounting pan** - Precision die-stamped 16 gauge galvanized steel mounting pan and yoke assembly. Accommodates ceiling materials up to 1-3/8" thick.

3. **Installation** - Mounting pan has pre-installed C-channel with vertical and horizontal adjustments. Ballast and junction box are accessible from below ceiling. For 27" flat bar hanger pair, specify Q1031 accessory, ordered separately.

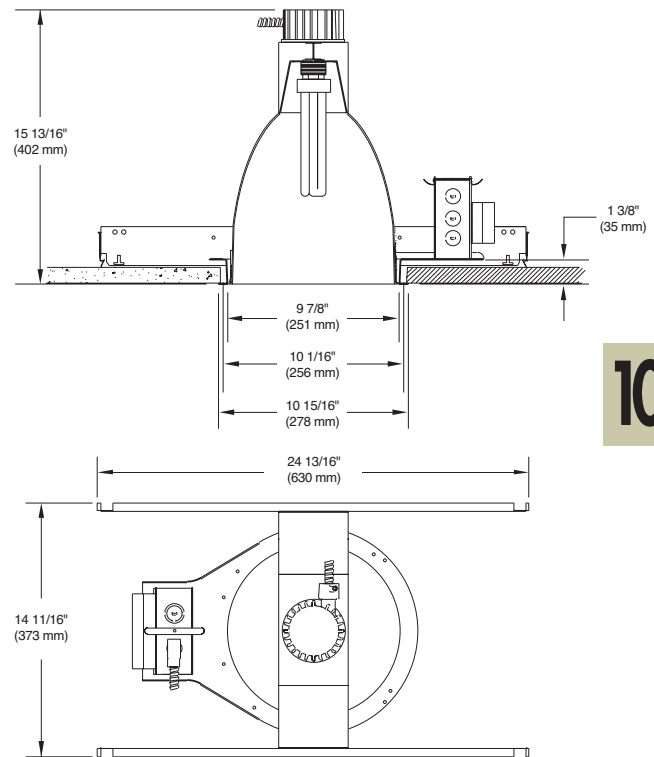
4. **Reflector** - Precision spun .050 aluminum one piece reflector, self flanged with clear specular Alzak low iridescent finish. Reflector is screw mounted for positive attachment to socket assembly. Standard flat flange is painted white. Optional polished flange matching reflector finish available, add FF to catalog number.

5. **Socket** - CFM57W/GX24q or CFQ70W/G24q-6

6. **Junction box** - Extra large 43.75-cubic inch 16 gauge galvanized steel with snap-on covers. Approved for through branch wiring with up to 8 #12 AWG conductors.

7. **U.L. Listed** - For use in damp locations and approved for Through Branch Circuit Wiring. I.B.E.W. union made.

☛ Canadian Specifications may vary from these shown, consult Canadian Division.



10

CATALOG SYSTEM AND OPTIONS

EXAMPLE OF COMPLETE CATALOG NUMBER: **OM1057PLTND-CS-120/277**

OMEGA Apr.	Lamp (by others)	Distribution	Reflector Finish	Options	Supply Voltage	Accessory
OM10	70 GPL Quad Tube CFL 57 PLT Triple Tube CFL	ND Narrow Distribution	CS Clear Specular CSS Clear Semi-Specular HZ Haze GS Gold Specular WT Wheat PW Pewter BZ Bronze BK Black WH White FF Finish Flange (As suffix to color)	FZ120 Fusing FZ277 Fusing FZ347 Fusing EMH Emergency DX1 Dimming Advance Mark X 120V DX2 Dimming Advance Mark X 277V	120/277 347 *	Q1031 Flat Bar Hangers SLD10 Sloped Ceiling Adapter ¹



FIVE YEAR
Warranty

1. Specify slope angle in 5° increments.

OM1057PLTND-CS

Photometric Data

Clear Specular Reflector

Report Number: 23495-1

Lamp: (1) CFM57W

Total Lumens: 4300

Fixture Efficiency: = 56.2%

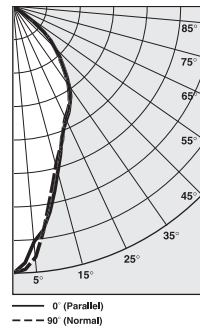
IES File: F234951.IES

S/MH Ratio = 0.6

Beam Angle 44.03

LIGHTING PERFORMANCE DATA		
CEILING HEIGHT* (FT.)	INITIAL FOOTCANDLES	BEAM DIAMETER (FT.-IN.)
8	86.5	4 - 5
10	46.5	6 - 1
12	29.0	7 - 8
14	19.8	9 - 4
16	14.4	10 - 11

DISTRIBUTION CURVE



DEGREES	CANDELA		FOOT-LAMBERTS
	AT 0°	AT 90°	
90	0	0	
85	1	1	66
75	3	3	67
65	8	7	102
55	110	119	1150
45	561	572	4615
35	932	949	
25	1198	1224	
15	1603	1674	
5	2470	2315	
0	2617	2617	

COEFFICIENTS OF UTILIZATION ZONAL CAVITY METHOD

Effective Floor Cavity Reflectance 0.20

RC	80			70			50		
	50	30		50	30		50	30	
RW	50	30		50	30		50	30	
0	67	67		65	65		61	61	
1	59	58		58	57		56	56	
2	54	52		53	51		52	50	
3	48	46		47	46		46	45	
4	44	40		44	40		42	40	
5	40	38		40	36		39	36	
6	36	34		36	34		35	34	
7	34	30		34	30		33	30	
8	30	28		30	28		30	28	
9	28	27		28	27		28	26	
10	27	25		27	25		27	25	

OM1070QPLND-CS

Photometric Data

Clear Specular Reflector

Report Number: 27032

Lamp: (1)CFQ70W

Total Lumens: 5200

Fixture Efficiency: = 63.7%

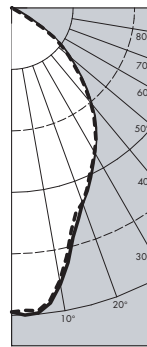
IES File: F27032.IES

S/MH Ratio = 0.8, 0.8

Beam Angle 67.50

LIGHTING PERFORMANCE DATA		
CEILING HEIGHT* (FT.)	INITIAL FOOTCANDLES	BEAM DIAMETER (FT.-IN.)
8	82.8	7 - 4
10	44.6	10 - 0
12	27.8	12 - 8
14	18.9	15 - 4
16	13.8	18 - 0

DISTRIBUTION CURVE



DEGREES	CANDELA		FOOT-LAMBERTS
	AT 0°	AT 90°	
90	0	1	
85	0	1	33
75	3	4	78
65	12	16	191
55	439	417	4298
45	805	808	6570
35	1197	1206	
25	1520	1540	
15	1900	1956	
5	2505	2524	
0	2506	2506	

COEFFICIENTS OF UTILIZATION ZONAL CAVITY METHOD

Effective Floor Cavity Reflectance 0.20

RC	80			70			50		
	50	30		50	30		50	30	
RW	50	30		50	30		50	30	
0	76	76		73	73		70	70	
1	68	68		68	66		65	64	
2	63	59		61	58		59	57	
3	56	54		56	53		55	52	
4	52	47		52	47		50	46	
5	47	42		46	42		46	41	
6	44	39		42	39		41	39	
7	40	35		40	35		39	34	
8	38	33		36	33		35	32	
9	34	29		34	29		34	29	
10	33	28		32	28		32	28	

10

Additional photometric test files are available @ omegalighting.com