

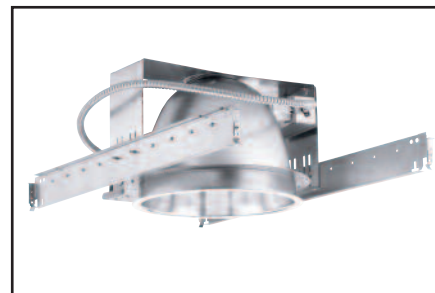
OM102H42PLTWW

10" Open Reflector Horizontal Wall Wash

CAT. NO:

TYPE:

PROJECT:



PRODUCT INFORMATION

Applications

Open reflector wall wash for use with long-life energy efficient compact fluorescent lamps. Provides medium, uniform light distribution with excellent color rendition. Ideal for areas requiring long hours of continuous operation such as lobbies, corridors, reception areas and offices.

Specifications

1. **Ballast** - One (1) Type 1 Class P, high power factor universal voltage electronic compact fluorescent ballast. Offer both 1 or 2 lamp operation for 120 through 277 volt input voltage.

	(2) 32W 32W		(2) 42W 42W	
	120V	277V	120V	277V
Line current amps	.58	.26	.76	.32
Input watts including ballast loss	69	67	91	90
Ballast factor	1.00	1.00	.95	.95
Minimum starting temperature	0°F	0°F	0°F	0°F

2. **Mounting pan** - Precision die-stamped 16 gauge galvanized steel mounting pan and yoke assembly. Accommodates ceiling materials up to 1-3/8" thick.

3. **Installation** - Mounting pan has pre-installed C-channel with vertical and horizontal adjustments. Ballast and junction box are accessible from below ceiling. For 27" flat bar hanger pair, specify Q1031 accessory, ordered separately.

4. **Reflector** - Precision spun .050 aluminum one piece reflector, self flanged with clear specular low iridescent Alzak finish. Reflector is screw mounted for positive attachment to socket assembly. Standard flat flange is painted white. Optional polished flange matching reflector finish available, add FF to catalog number.

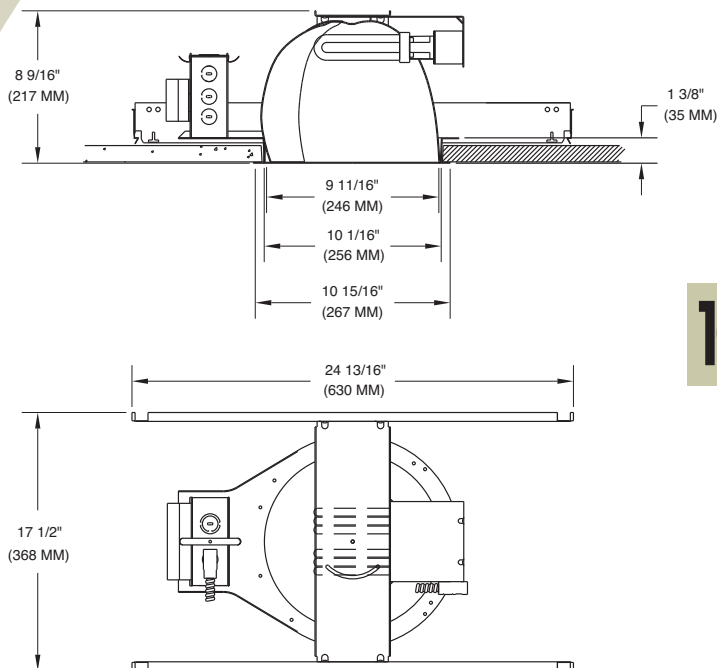
5. **Socket** - CFM42W/GX24q, CFM32W/G24q

6. **Junction box** - Extra large 43.75-cubic inch 16 gauge galvanized steel with snap-on covers. Approved for through wiring with up to 8 #12 AWG conductors.

7. **Optional emergency system** - Emergency system includes battery, electronic circuitry, charger and test/monitor plate with test switch and charging indicator light. Test/monitor plate may be installed in the ceiling near fixture or other remote location. Operates appropriate wattage lamp for a minimum of 90 minutes following power failure. Emergency system complies with NFPA life safety code, OSHA and NEC. Suitable for dry locations.

8. **U.L. Listed** - For use in damp locations and approved for Through Branch Circuit Wiring. I.B.E.W. union made.

Canadian Specifications may vary from these shown, consult Canadian Division.



10

CATALOG SYSTEM AND OPTIONS

EXAMPLE OF COMPLETE CATALOG NUMBER: **OM102H42PLTWW-CS-120/277**

OMEGA Aprt.	No. of Lamps	Lamps Position	Lamp (by others)	Reflector Type	Reflector Finish	Options	Supply Voltage
OM10	1	H Horizontal	42 PLT - Triple Tube CFL	WW Wall Wash	CS Clear Specular	EM Emergency	120/277
	2		32 PLT - Triple Tube CFL		CS Clear Semi-Specular	IE Integral Emergency	347
					HZ Haze	FZ120 Fusing	
					GS Gold Specular	FZ277 Fusing	
					WT Wheat	FZ347 Fusing	
					PW Pewter	CP Chicago Plenum	
					BK Black	Q1031 Flat Bar Hangers	
					BZ Bronze	SA6 Sloped Ceiling Adpt.	
					WH White	DL1 Dimming, Lutron Compact SE, 120v	
					FF Finish Flange (as suffix to color)	DL2 Dimming, Lutron Compact SE, 277v	
						DX1 Dimming, Advance Mark X, 120v	
						DX2 Dimming, Advance Mark X, 277v	



FIVE YEAR
Warranty

OM102H42PLTWW-CS

Photometric Data

Wall Washer with Clear Reflector

Source: Compact Fluorescent

Lamp: (2) CFM42W

Reflectances: 80% ceiling, 50% walls, 20% floor

Maintenance Factor: 1.0

IES File: F20243.IES

Distance from ceiling (ft)	2'6" from wall, 2'6" on center		2'6" from wall, 3' on center		3' from wall, 3' on center		3' from wall, 4' on center	
	Below Fixtures	Between Fixtures	Below Fixtures	Between Fixtures	Below Fixtures	Between Fixtures	Below Fixtures	Between Fixtures
1	23.9	26.0	20.7	22.3	17.9	17.5	14.4	14.6
2	53.7	37.3	49.8	29.8	22.2	22.1	18.0	17.1
3	114.1	99.6	104.7	77.7	70.1	47.9	64.6	28.7
4	109.4	106.6	91.1	91.7	83.2	79.3	69.8	56.8
5	91.2	88.1	77.0	75.3	78.6	75.8	58.4	60.3
6	72.9	71.8	62.6	60.9	67.5	65.0	51.2	51.2
7	59.7	59.3	51.2	50.5	56.8	55.6	44.2	43.2
8	50.9	50.8	44.2	43.9	49.4	48.9	38.6	38.0
9	44.1	44.5	39.2	39.0	43.7	43.3	34.0	33.8

OM102H32PLTWW-CS

Photometric Data

Wall Washer with Clear Reflector

Source: Compact Fluorescent

Lamp: (2) CFM32W

Reflectances: 80% ceiling, 50% walls, 20% floor

Maintenance Factor: 1.0

IES File: F20242.IES

Distance from ceiling (ft)	2'6" from wall, 2'6" on center		2'6" from wall, 3' on center		3' from wall, 3' on center		3' from wall, 4' on center	
	Below Fixtures	Between Fixtures	Below Fixtures	Between Fixtures	Below Fixtures	Between Fixtures	Below Fixtures	Between Fixtures
1	15.6	16.5	13.3	14.4	11.9	11.7	9.7	9.7
2	24.0	18.9	21.6	16.6	13.0	13.6	10.1	10.9
3	62.4	56.0	57.6	42.7	34.7	22.1	31.4	14.6
4	67.0	69.8	55.4	60.1	47.3	48.7	40.4	33.2
5	59.3	58.6	49.0	51.1	48.9	50.0	35.9	39.9
6	48.7	48.4	41.3	41.5	44.0	43.1	32.2	35.1
7	40.7	40.4	34.7	34.6	37.8	37.4	28.7	29.6
8	35.3	35.0	30.4	30.2	33.5	33.3	25.8	26.0
9	31.0	30.9	27.2	26.9	30.1	29.7	23.1	23.2

Additional photometric test files are available @ omegalighting.com