

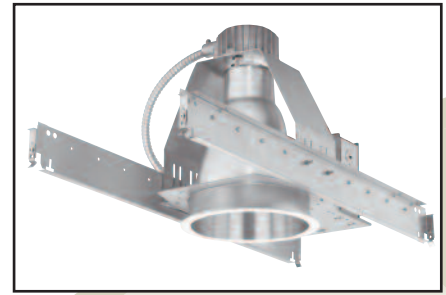
OM642PLTMD

6" Open Reflector Vertical Downlights Medium Distribution

CAT. NO.:

TYPE:

PROJECT:



PRODUCT INFORMATION

Applications

Small aperture open reflector downlight for use with long-life energy efficient compact fluorescent lamps. Provides uniform light distribution with excellent color rendition. Ideal for low ceilings and areas requiring long hours of continuous operation such as lobbies, corridors, reception areas and offices.

Specifications

1. **Ballast** - One (1) Type 1 Class P, high power factor universal voltage electronic compact fluorescent ballast. Offers 1 lamp operation for 120 through 277 volt input voltage.

	18W 120V	18W 277V	26W 120V	26W 277V	32W 120V	32W 277V	42W 120V	42W 277V
Line current amps	.19	.08	.25	.11	.32	.14	.42	.18
Input watts including ballast loss	22	22	28	28	36	36	48	48
Ballast factor	1.00	1.00	.98+	.98+	1.00	1.00	.98+	.98+
Minimum starting temperature	0°F	0°F	0°F	0°F	0°F	0°F	0°F	0°F

2. **Mounting pan** - Precision die-stamped 16 gauge galvanized steel mounting pan and yoke assembly. Accommodates ceiling materials up to 1-3/8" thick.

3. **Installation** - Mounting pan has pre-installed C-channel with vertical and horizontal adjustments. Ballast, junction box and mounting brackets are accessible from below ceiling. For 27" flat bar hanger pair, specify Q1031 accessory, ordered separately.

4. **Reflector** - Precision spun .050 aluminum one piece reflector, self flanged with clear specular Alzak® low iridescent finish. Reflector is screw mounted for positive attachment to socket assembly. Standard flat flange is painted white. Optional polished flange matching reflector finish available, add FF to catalog number.

5. **Baffle** - Precision machined .051 aluminum with deep grooves to minimize aperture glare, anodized matte black or matte white finish. Standard flat flange is painted white. Optional black flange available, add FF to catalog number.

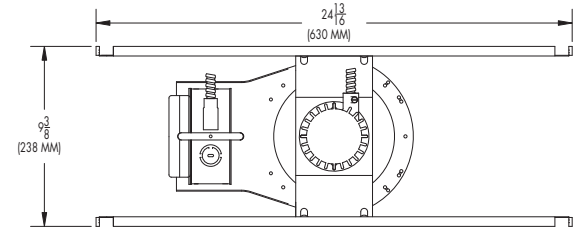
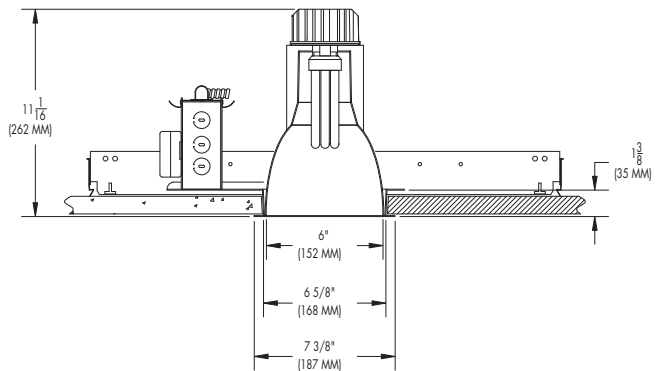
6. **Socket** - One (1) CFM42W/GX24q, One (1) CFM32W/GX24q, One (1) CFM26W/GX24q, One (1) CFM18W/GX24q.

7. **Junction box** - Extra large 43.75-cubic inch 16 gauge galvanized steel with snap-on covers. Approved for through wiring with up to 8 #12 AWG conductors.

8. **Optional emergency system** - Emergency system includes battery, electronic circuitry, charger and test/monitor plate with test switch and charging indicator light. Test/monitor plate may be installed in the ceiling near fixture or other remote location. Operates appropriate lamp wattage for a minimum of 90 minutes following power failure. Emergency system complies with NFPA life safety code, OSHA and NEC. Suitable for dry locations.

9. **U.L. Listed** - For use in damp locations and approved for Through Branch Circuit Wiring. I.B.E.W. union made.

☛ Canadian Specifications may vary from these shown, consult Canadian Division.



6

CATALOG SYSTEM AND OPTIONS

EXAMPLE OF COMPLETE CATALOG NUMBER: **OM642PLT-CS-120/277**

OMEGA Apr.	Lamp (by others)	Reflector Type	Reflector Finish	Options	Sloped Ceiling Adapter Angle	Supply Voltage
OM6		MD				
	42 PLT - Triple Tube CFL	Medium	CS Clear Specular	EM Emergency	5	120/277
	32 PLT - Triple Tube CFL	Distribution	CSS Clear Semi-Specular	IE Integral Emergency	10	347 ☛
	26 QPL - Quad CFL		HZ Haze	FZ120 Fusing	15	
	18 QPL - Quad CFL		GS Gold Specular	FZ277 Fusing	20	
			WT Wheat	FZ347 Fusing	25	
			PW Pewter	CP Chicago Plenum	30	
			BK Black	Q1031 Flat Bar Hangers		
			BZ Bronze	SA6 Sloped Ceiling Adpt.		
			WH White	DL1 Dimming, Lutron Compact SE, 120v		
			FF Finish Flange (as suffix to color)	DL2 Dimming, Lutron Compact SE, 277v		
			FCS Faceted Clear Specular	DX1 Dimming, Advance Mark X, 120v		
			FCSS Faceted Clear Semi Specular	DX2 Dimming, Advance Mark X, 277v		
				CL Clear Lens		
				PL Prismatic Lens		
				FL Fresnel Lens		



FIVE YEAR
Warranty

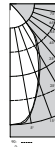
OM632PLTMD-CS-120 Photometric Data

Clear Specular Reflector

Report Number: 24594
 Lamp: (1)CFT32W
 Total Lumens: 2400
 Fixture Efficiency: = 54.0%
 IES File: F24594.IES
 S/MH Ratio = 0.8, 0.8
 Beam Angle: 56.08

LIGHTING PERFORMANCE DATA		
CEILING HEIGHT* (FT.)	INITIAL FOOTCANDLES	BEAM DIAMETER (FT.-IN.)
8	48.5	5 - 10
10	26.1	7 - 12
12	16.3	10 - 1
14	11.1	12 - 3
16	8.0	14 - 5

DISTRIBUTION CURVE



DEGREES	CANDELA		FOOT-LAMBERTS
	AT 0°	AT 90°	
90	0	0	
85	0	0	0
75	1	1	62
65	2	2	76
55	5	5	139
45	124	92	2444
35	531	568	
25	815	855	
15	1178	1189	
5	1452	1462	
0	1467	1467	

COEFFICIENTS OF UTILIZATION ZONAL CAVITY METHOD

Effective Floor Cavity Reflectance 0.20

RC	80		70		50	
	50	30	50	30	50	30
0	64	64	64	64	63	63
1	60	59	57	56	59	58
2	57	55	53	51	56	55
3	55	52	48	46	54	51
4	52	47	45	42	51	46
5	50	45	41	39	48	44
6	46	41	39	35	46	41
7	45	39	35	34	44	39
8	41	36	34	32	41	36
9	40	34	32	28	40	34
10	38	33	29	28	38	33

OM642PLTMD-CS-120 Photometric Data

Clear Specular Reflector

Report Number: 24660
 Lamp: (1) CFT42W
 Total Lumens: 3200
 Fixture Efficiency: = 51.8%
 IES File: F24660.IES
 S/MH Ratio = 0.8, 0.8
 Beam Angle: 58.45

LIGHTING PERFORMANCE DATA		
CEILING HEIGHT* (FT.)	INITIAL FOOTCANDLES	BEAM DIAMETER (FT.-IN.)
8	48.1	6 - 2
10	25.9	8 - 5
12	16.1	10 - 8
14	11.0	12 - 10
16	8.0	15 - 1

DISTRIBUTION CURVE



DEGREES	CANDELA		FOOT-LAMBERTS
	AT 0°	AT 90°	
90	0	0	
85	0	0	0
75	1	1	62
65	15	9	454
55	145	145	4045
45	366	355	8157
35	602	580	
25	863	834	
15	1208	1176	
5	1478	1507	
0	1456	1456	

COEFFICIENTS OF UTILIZATION ZONAL CAVITY METHOD

Effective Floor Cavity Reflectance 0.20

RC	80		70		50	
	50	30	50	30	50	30
0	61	61	61	61	59	59
1	57	56	55	54	56	56
2	55	52	50	47	54	51
3	52	47	45	41	50	46
4	47	44	40	38	46	42
5	45	40	36	34	44	40
6	42	36	34	30	41	36
7	40	34	30	28	39	34
8	38	32	28	26	36	32
9	35	29	27	23	34	29
10	34	28	25	23	33	28

6

*Readings at working plane, 2'6" above floor. Beam Angle and Diameter Cutoff at 50% of max. Candlepower Coefficients used at effective reflectances of: 70% Ceiling, 50% Walls, 20% Floor

To convert values for optional reflector colors, multiply by:
 Gold .90 Bronze .82 Pewter .87

Additional photometric test files are available @ omegalighting.com



OMEGA LIGHTING:
 776 South Green St., Tupelo, MS 38804
 Phone 662.842.7212 FAX 662.841.5501

CANADIAN DIVISION:
 189 Bullock Drive, Markham, Ontario, Canada L3P 1W4
 Phone 905.294.9570 FAX 800.268.0003