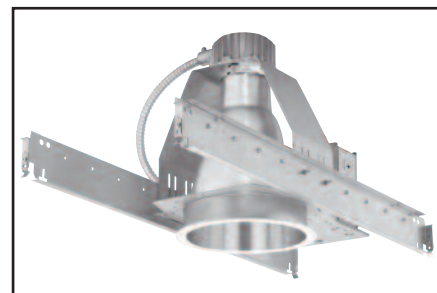


OM626QPLWW

6" Wall Washer Reflector Vertical Downlights

CAT. NO:

TYPE: PROJECT:



PRODUCT INFORMATION

Applications

Small aperture open reflector wall wash for use with long-life energy efficient compact fluorescent lamps. Provides uniform light distribution with excellent color rendition. Ideal for low ceilings and areas requiring long hours of continuous operation such as lobbies, corridors, reception areas and offices.

Specifications

1. **Ballast** - One (1) Type 1 Class P, high power factor universal voltage electronic compact fluorescent ballast. Offers 1 lamp operation for 120 through 277 volt input voltage.

	12W 120V	12W 277V	18W 120V	18W 277V	26W 120V	26W 277V
Line current amps	.15	.07	.19	.08	.25	.11
Input watts including ballast loss	18	18	22	22	28	28
Ballast factor	1.00	1.00	1.00	1.00	.98+	.98+
Minimum starting temperature	0°F	0°F	0°F	0°F	0°F	0°F

2. **Mounting pan** - Precision die-stamped 16 gauge galvanized steel mounting pan and yoke assembly. Accommodates ceiling materials up to 1-3/8" thick.

3. **Installation** - Mounting pan has pre-installed C-channel with vertical and horizontal adjustments. Ballast, junction box and mounting brackets are accessible from below ceiling. For 27" flat bar hanger pair, specify Q1031 accessory, ordered separately.

4. **Reflector** - Precision spun .050 aluminum one piece reflector, self flanged with clear specular Alzak® low iridescent finish. Reflector is screw mounted for positive attachment to socket assembly. Standard flat flange is painted white. Optional polished flange matching reflector finish available, add FF to catalog number.

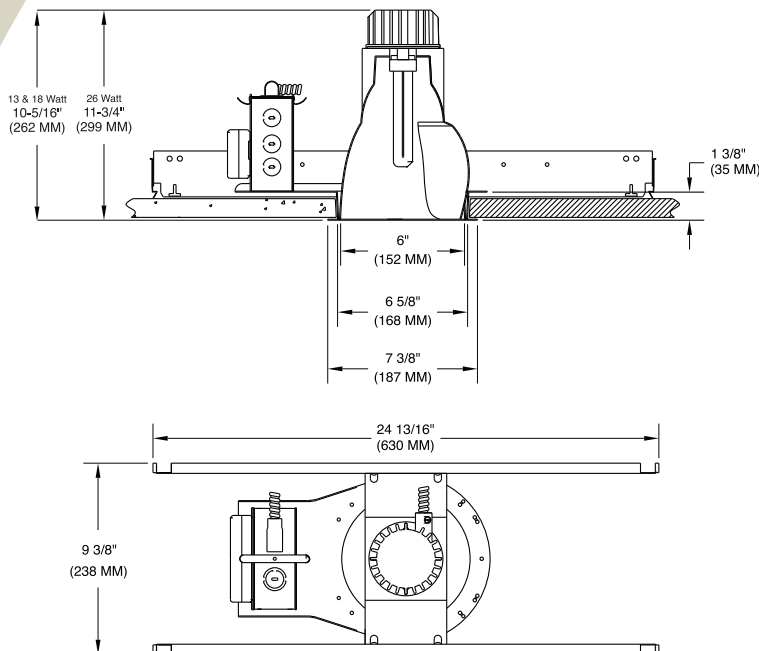
5. **Socket** - One (1) CFQ26W/G24q,
One (1) CFQ18W/G24q, One (1) CFQ13W/G24q

6. **Junction box** - Extra large 43.75-cubic inch 16 gauge galvanized steel with snap-on covers. Approved for through wiring with up to 8 #12 AWG conductors.

7. **Optional emergency system** - Emergency system includes battery, electronic circuitry, charger and test/monitor plate with test switch and charging indicator light. Test/monitor plate may be installed in the ceiling near fixture or other remote location. Operates appropriate lamp wattage for a minimum of 90 minutes following power failure. Emergency system complies with NFPA life safety code, OSHA and NEC. Suitable for dry locations.

8. **U.L. Listed** - For use in damp locations and approved for Through Branch Circuit Wiring. I.B.E.W. union made.

☛ Canadian Specifications may vary from these shown, consult Canadian Division.



6

CATALOG SYSTEM AND OPTIONS

EXAMPLE OF COMPLETE CATALOG NUMBER: **OM626QPLWW-CS-120/277**

OMEGA Apr.	Lamp (by others)	Reflector Type	Reflector Finish	Options	Supply Voltage
OM6	26 QPL - Quad CFL 18 QPL - Quad CFL 13 QPL - Quad CFL	WW Wall Washer DWW Double Wall Washer CWW Corner Wall Washer	CS Clear Specular CSS Clear Semi-Specular HZ Haze GS Gold Specular WT Wheat PW Pewter BK Black BZ Bronze WH White FF Finish Flange (as suffix to color)	EM Emergency IE Integral Emergency FZ120 Fusing FZ277 Fusing FZ347 Fusing CP Chicago Plenum Q1031 Flat Bar Hangers SA6 Sloped Ceiling Adpt. DL1 Dimming, Lutron Compact SE, 120v DL2 Dimming, Lutron Compact SE, 277v DX1 Dimming, Advance Mark X, 120v DX2 Dimming, Advance Mark X, 277v	120/277 347 ☛



FIVE YEAR
Warranty

OM626QPLWW-CS Photometric Data

Wall Washer with Clear Reflector

Source: Compact Fluorescent
 Lamp: CFQ26W
 Reflectances: 80% ceiling, 50% walls, 20% floor
 Maintenance Factor: 1.0
 IES File: F20813.IES

Distance from ceiling (ft)	2'6" from wall, 2'6" on center		2'6" from wall, 3' on center		3' from wall, 3' on center		3' from wall, 4' on center	
	Below Fixtures	Between Fixtures	Below Fixtures	Between Fixtures	Below Fixtures	Between Fixtures	Below Fixtures	Between Fixtures
1	7.24	6.49	6.32	5.30	4.70	3.90	3.92	2.93
2	11.71	10.59	10.58	8.52	7.55	6.80	6.25	4.87
3	14.41	13.71	12.82	11.21	9.81	8.87	8.21	6.43
4	14.73	14.51	12.59	12.13	10.68	10.24	8.76	7.55
5	13.02	13.01	11.24	11.14	10.69	10.55	8.42	7.97
6	11.04	10.92	9.59	9.48	9.63	9.63	7.59	7.51
7	9.37	9.36	8.18	8.16	8.52	8.44	6.72	6.73
8	8.23	8.29	7.30	7.30	7.72	7.63	6.14	6.13
9	7.31	7.36	6.63	6.56	6.96	6.88	5.59	5.55

OM618QPLWW-CS Photometric Data

Wall Washer with Clear Reflector

Source: Compact Fluorescent
 Lamp: CFQ18W
 Reflectances: 80% ceiling, 50% walls, 20% floor
 Maintenance Factor: 1.0
 IES File: F20814.IES

Distance from ceiling (ft)	2'6" from wall, 2'6" on center		2'6" from wall, 3' on center		3' from wall, 3' on center		3' from wall, 4' on center	
	Below Fixtures	Between Fixtures	Below Fixtures	Between Fixtures	Below Fixtures	Between Fixtures	Below Fixtures	Between Fixtures
1	4.15	2.97	3.75	2.43	2.65	2.15	2.41	1.58
2	6.05	4.71	5.60	3.76	4.12	3.00	3.54	2.25
3	8.82	9.06	7.72	7.30	5.42	4.91	4.64	3.40
4	10.57	12.52	8.74	10.38	6.90	7.78	5.52	5.54
5	10.29	11.39	8.48	9.73	7.81	9.12	5.79	6.85
6	9.12	9.63	7.68	8.21	7.60	8.36	5.59	6.52
7	7.90	8.16	6.75	6.94	6.98	7.38	5.25	5.76
8	6.95	7.10	6.05	6.11	6.44	6.64	4.93	5.15
9	6.14	6.24	5.47	5.46	5.87	5.95	4.55	4.62

OM613QPLWW-CS Photometric Data

Wall Washer with Clear Reflector

Source: Compact Fluorescent
 Lamp: CFQ13W
 Reflectances: 80% ceiling, 50% walls, 20% floor
 Maintenance Factor: 1.0
 IES File: F20823.IES

Distance from ceiling (ft)	2'6" from wall, 2'6" on center		2'6" from wall, 3' on center		3' from wall, 3' on center		3' from wall, 4' on center	
	Below Fixtures	Between Fixtures	Below Fixtures	Between Fixtures	Below Fixtures	Between Fixtures	Below Fixtures	Between Fixtures
1	3.36	3.08	3.07	2.39	2.19	1.94	1.92	1.35
2	4.53	4.32	3.96	3.61	3.19	2.97	2.65	2.11
3	6.22	5.51	5.57	4.38	3.97	3.43	3.37	2.42
4	6.45	6.17	5.72	5.00	4.72	4.30	3.95	2.99
5	5.75	5.86	5.01	4.94	4.70	4.57	3.85	3.31
6	5.16	5.22	4.44	4.47	4.30	4.37	3.46	3.32
7	4.68	4.67	4.02	4.01	4.00	4.03	3.15	3.13
8	4.34	4.32	3.76	3.74	3.82	3.80	2.97	2.97
9	4.00	4.01	3.52	3.50	3.59	3.55	2.78	2.77

Additional photometric test files are available @ omegalighting.com



OMEGA LIGHTING:
 776 South Green St., Tupelo, MS 38804
 Phone 662.842.7212 FAX 662.841.5501

CANADIAN DIVISION:
 189 Bullock Drive, Markham, Ontario, Canada L3P 1W4
 Phone 905.294.9570 FAX 800.268.0003