

OM62H26QPL

6" Open Reflector Downlights

CAT. NO:

TYPE: PROJECT:

PRODUCT INFORMATION

Applications

Open reflector downlight for use with long-life energy efficient compact fluorescent lamps. Provides medium, uniform light distribution with excellent color rendition. Ideal for areas requiring long hours of continuous operation such as lobbies, corridors, reception areas and offices.

Specifications

1. **Ballast** - One (1) Type 1 Class P, high power factor universal voltage electronic compact fluorescent ballast. Offer both 1 or 2 lamp operation for 120 through 277 volt input voltage.

	(2)13W 13W		(2)18W 18W		(2)26W 26W	
	120V	277V	120V	277V	120V	277V
Line current amps	.27	.12	.34	.15	.49	.21
Input watts including ballast loss	30	32	40	40	56	56
Ballast factor	.98	.98	.98	.98	.98	.98
Minimum starting temperature	0°F	0°F	0°F	0°F	0°F	0°F

2. **Mounting pan** - Precision die-stamped plaster frame of 16 gauge galvanized steel. Accommodates ceiling materials up to 1-3/8" thick.

3. **Installation** - Mounting pan has pre-installed C-channel with vertical and horizontal adjustments. Ballasts and junction box are accessible from below ceiling. For 27" flat bar hanger pair, specify Q1031 accessory, ordered separately.

4. **Reflector** - Precision formed .050 aluminum, self flanged with clear specular Alzak low iridescent finish. Reflector is screw mounted for positive attachment to socket assembly. Standard flat flange is painted white. Optional polished flange matching reflector finish available, add FF to catalog number.

5. **Baffle** - Precision machined .051 aluminum with deep grooves to minimize aperture glare, anodized matte black or matte white finish. Standard flat flange is painted white. Optional black flange available, add FF to catalog number.

6. **Sockets** - CFQ26W/G24q, CFQ18W/G24q or CFQ13W/G24q. Horizontally mounted 4 pin plug-in type. Socket assembly rotates 90° to allow for alignment of lamps and reflector within fixture, for design flexibility. (Lamps ordered separately.)

7. **Junction box** - Extra large 43.75-cubic inch 16 gauge galvanized steel with snap-on cover and ground wire riveted to frame. Approved for through wiring with up to 8 #12 AWG conductors.

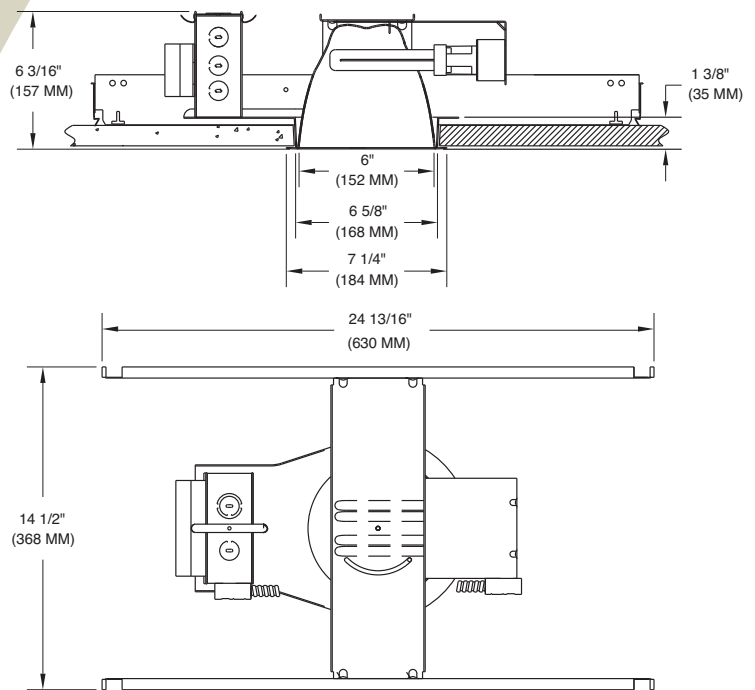
8. **Optional emergency system** - Emergency system includes battery, electronic circuitry, charger, and test/monitor plate with test switch and charging indicator light. Test monitor plate may be installed in the ceiling near the fixture or other remote location. Operates appropriate lamp wattage for a minimum of 90 minutes following power failure. Battery is recharged automatically following restoration of power. Emergency system complies with NFPA life safety code, OSHA and NEC. Suitable for dry locations.

9. **U.L. Listed** - For use in damp locations and approved for Through Branch Circuit Wiring. I.B.E.W. union made.

★ Canadian Specifications may vary from these shown, consult Canadian Division.



6



CATALOG SYSTEM AND OPTIONS

EXAMPLE OF COMPLETE CATALOG NUMBER: **OM62H26QPL-CS-120/277**

OMEGA Apr.	No. of Lamps	Lamp Position	Lamp (by others)	Reflector Option	Reflector Finish	Options	Sloped Ceiling Adapter Angle	Supply Voltage
OM6	1	H Horizontal	26 QPL Quad CFL	BB	CS Clear Specular	EM Emergency	5	120/277
	2		18 QPL Quad CFL	Black Baffle	CSS Clear Semi-Specular	IE Integral Emergency	10	347 ★
			13 QPL Quad CFL		HZ Haze	FZ120 Fusing	15	
					GS Gold Specular	FZ277 Fusing	20	
					WT Wheat	FZ347 Fusing	25	
					PW Pewter	CP Chicago Plenum	30	
					BK Black	Q1031 Flat Bar Hangers		
					BZ Bronze	SA6 Sloped Ceiling Adpt.		
					WH White	DL1 Dimming, Lutron Compact SE, 120v		
					FF Finish Flange (as suffix to color)	DL2 Dimming, Lutron Compact SE, 277v		
					FCS Faceted Clear Specular	DX1 Dimming, Advance Mark X, 120v		
					FCSS Faceted Clear Semi Specular	DX2 Dimming, Advance Mark X, 277v		
						CL Clear Lens		
						PL Prismatic Lens		
						FL Fresnel Lens		



FIVE YEAR
Warranty

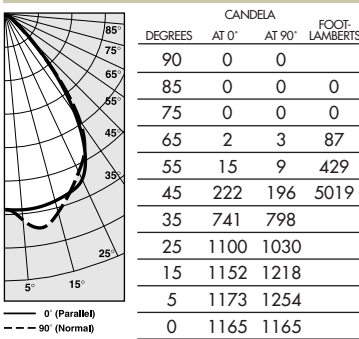
OM62H26QPL-CS Photometric Data

Clear Specular Reflector

Report Number: L1808
 Lamp: (2) CFQ26W
 Quad Tube
 Total Lumens: 3600
 Fixture Efficiency: = 45.9%
 IES File: EY3685.IES
 S/MH Ratio = 1.2
 Beam Angle: 75.85

LIGHTING PERFORMANCE DATA		
CEILING HEIGHT* (FT.)	INITIAL FOOTCANDLES	BEAM DIAMETER (FT.-IN.)
8	39.9	8-6
10	21.4	11-8
12	13.4	14-9
14	9.1	17-11
16	6.6	21-0

DISTRIBUTION CURVE



COEFFICIENTS OF UTILIZATION ZONAL CAVITY METHOD

Effective Floor Cavity Reflectance 0.20

RC	80			70			50		
	50	30	50	30	50	30	50	30	
RW	50	30	50	30	50	30	50	30	
0	54	54	53	53	51	51			
1	50	49	50	48	48	47			
2	47	45	46	44	45	43			
3	44	41	43	41	42	40			
4	40	38	40	37	39	37			
5	38	35	37	34	36	34			
6	35	32	35	32	34	32			
7	33	30	32	29	32	29			
8	30	27	30	27	29	27			
9	28	25	27	24	27	24			
10	25	22	25	22	25	22			

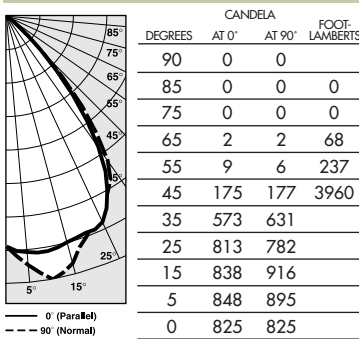
OM62H18QPL-CS Photometric Data

Clear Specular Reflector

Report Number: L1809
 Lamp: (2) CFQ18W
 Quad Tube
 Total Lumens: 2500
 Fixture Efficiency: = 50.1%
 IES File: EY3683.IES
 S/MH Ratio = 1.2
 Beam Angle: 77.78

LIGHTING PERFORMANCE DATA		
CEILING HEIGHT* (FT.)	INITIAL FOOTCANDLES	BEAM DIAMETER (FT.-IN.)
8	27.3	8-10
10	14.7	12-1
12	9.1	15-3
14	6.2	18-6
16	4.5	21-9

DISTRIBUTION CURVE



COEFFICIENTS OF UTILIZATION ZONAL CAVITY METHOD

Effective Floor Cavity Reflectance 0.20

RC	80			70			50		
	50	30	50	30	50	30	50	30	
RW	50	30	50	30	50	30	50	30	
0	60	60	58	58	56	56			
1	55	54	54	53	52	51			
2	51	49	51	49	49	47			
3	48	45	47	45	46	44			
4	44	41	44	41	43	40			
5	41	38	40	38	40	37			
6	38	35	38	35	37	34			
7	35	32	35	32	35	32			
8	33	29	32	29	32	29			
9	30	27	30	27	29	26			
10	27	24	27	24	27	24			

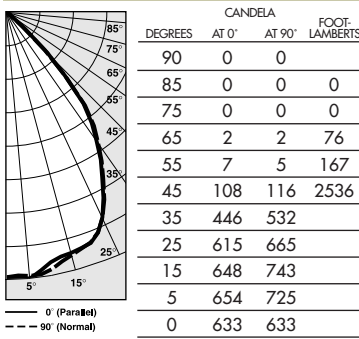
OM62H13QPL-CS Photometric Data

Clear Specular Reflector

Report Number: L1810
 Lamp: (2) CFQ13W
 Quad Tube
 Total Lumens: 1720
 Fixture Efficiency: = 54.8%
 IES File: EY3682.IES
 S/MH Ratio = 1.2
 Beam Angle: 77.64

LIGHTING PERFORMANCE DATA		
CEILING HEIGHT* (FT.)	INITIAL FOOTCANDLES	BEAM DIAMETER (FT.-IN.)
8	20.9	8-10
10	11.3	12-0
12	7.0	15-3
14	4.8	18-6
16	3.5	21-8

DISTRIBUTION CURVE



COEFFICIENTS OF UTILIZATION ZONAL CAVITY METHOD

Effective Floor Cavity Reflectance 0.20

RC	80			70			50		
	50	30	50	30	50	30	50	30	
RW	50	30	50	30	50	30	50	30	
0	65	65	63	63	60	60			
1	60	59	59	58	57	56			
2	56	54	55	53	53	52			
3	52	49	51	49	50	48			
4	48	45	48	45	46	44			
5	45	41	44	41	43	41			
6	42	38	41	38	41	38			
7	39	35	38	35	38	35			
8	36	32	35	32	35	32			
9	33	29	33	29	32	29			
10	30	27	30	27	30	27			

*Readings at working plane, 2'6" above floor. Beam Angle and Diameter Cutoff at 50% of max. Candlepower Coefficients used at effective reflectances of: 70% Ceiling, 50% Walls, 20% Floor

To convert values for optional reflector colors, multiply by:
 Gold .90 Bronze .82 Pewter .87

Additional photometric test files are available @ omegalighting.com



OMEGA LIGHTING:
 776 South Green St., Tupelo, MS 38804
 Phone 662.842.7212 FAX 662.841.5501

CANADIAN DIVISION:
 189 Bullock Drive, Markham, Ontario, Canada L3P 1W4
 Phone 905.294.9570 FAX 800.268.0003