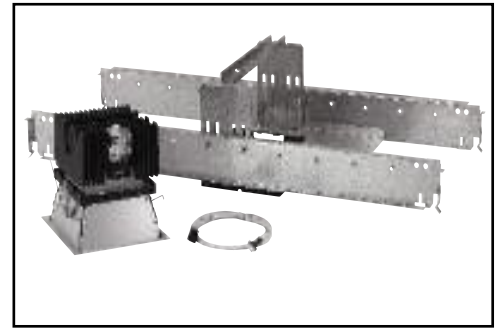


OM4LEDRWR SQUARE

4" LED 1000 Lumen LED Square Wall Wash
with Redwood Ready™



4

CAT. NO:

TYPE:

PROJECT:

PRODUCT INFORMATION

1. Omega mixing chamber/optical assembly: Remote phosphor technology provides increased efficiency and color stability by redirecting back reflected light. Patented Meso Optic and phosphor lens assembly converts high brightness blue light into white light for an even diffused pattern, eliminating bright spots often created by individual LEDs. This technology provides consistent, stable color with CCT color control of +/- 100K over the life of the light engine and provides 20% higher efficiency.

2. LED Array: The LED Array consist of a metal core circuit board with 16 high brightness royal blue LEDs.

3. Thermal Management: A proprietary die-cast aluminum heat sink allows for easy and tool-less installation to the housing yoke. The heat sink is designed to properly maintain junction temperatures in recessed non-ic applications to provide reliable performance over the life of the light engine. The heat sink incorporates alignment tabs to properly position the heat sink with the housing and rust resistant springs to secure the heat sink and reflector.

4. Housing: Precision die stamped 18ga galvanized steel mounting pan and yoke assembly. Allows for ceiling thickness up to 1-3/8". Yoke supports weight of heat sink and light engine assembly to prevent stress on finished reflector.

5. Reflector: The lower trim is die-formed of .040 low iridescent aluminum and is self-flanged with a variety of finishes available. Black coating on back of trim provides superior protection against flash and/or light leaks around the flange. White flange is standard. Optional polished flange matching trim finish is available, add FF to catalog number.

6. Lifetime/Lumen Maintenance: 50,000 hour lifetime at 70% lumen maintenance light engine.

7. C channels: Revelation c-channels are included and provide vertical and horizontal adjustments. These allow for fast and adjustment free installation in T-bar ceilings with 1/2" tile. C-channels simply snap on grid for proper alignment in 24" O.C. grid systems.

8. Color: Available in three CCT options, 3000K, 3500K or 4000K with 80CRI +/-2%.

9. Redwood Ready: "Redwood Ready™" luminaires are capable of being remotely powered by the Redwood platform. Luminaires come standard with the appropriate power and electrical properties for Redwood's Class 2 power delivery system and will be "profiled" to enable automatic plug-and-play and full fixture auto commissioning into the Redwood engine. Housing will be supplied with a 32" plug and play molex connection only. For complete details of the Redwood Systems, visit www.redwoodsytens.com

10. Service: Modular construction allows for easy maintenance of complete system below ceiling. Removing reflector provides easy access to heat sink and light engine assembly. This assembly may be removed by de-pressing the springs which attach to the yoke and then simply opening protective cover and unplugging push in connector from LED board.

11. ETL, cUL, IBEW

12. Photometric testing performed using IESNA - LM79 procedures. LED lifetime testing performed using IESNA - LM80 procedures.

13. 5 year Warranty

🍁 Canadian Specifications may vary from these shown, consult Canadian Division.

CATALOG SYSTEM AND OPTIONS

EXAMPLE OF COMPLETE CATALOG NUMBER: **OM4LEDRWR SQ-R4LED30KSQLWVCS**

HOUSING - ROUGH IN

Omega 4" Housing Type

OM4LEDRWR SQLWW
square lensed
wall wash

LIGHT ENGINE - REFLECTOR

Omega 4" CCT Reflector Type Reflector Finish

R4LED
30K 3000K
35K 3500K
40K 4000K
SQLWW
square
lensed
wall wash

CS Clear Specular
CSS Clear Semi-Specular
GS Gold Specular
WT Wheat
PW Pewter
BZ Bronze
WH White
FF Finish Flange
(as suffix to color)

FIVE YEAR
Warranty

* Lumen output varies depending on CCT and distribution, refer to specific IES files for details

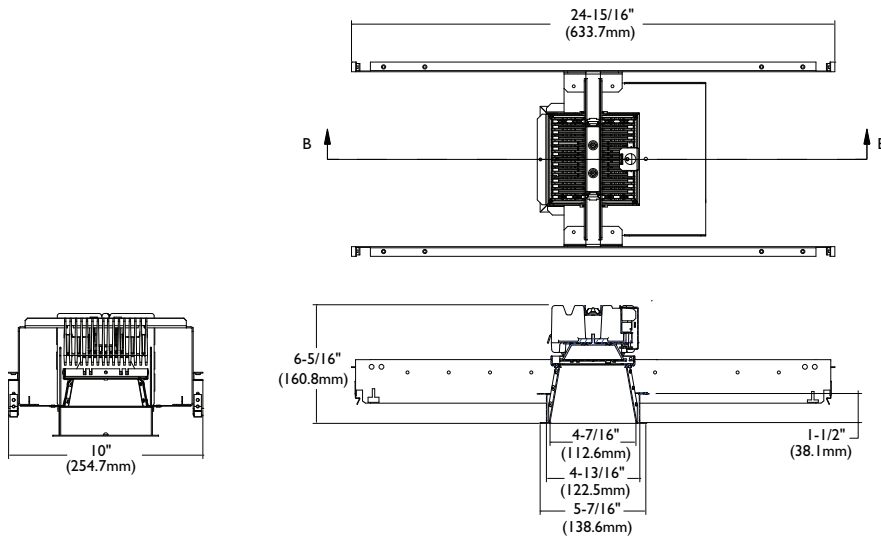
PHILIPS
Omega

PHILIPS OMEGA
776 South Green St., Tupelo, MS 38804
Phone 662.842.7212 FAX 662.841.5501

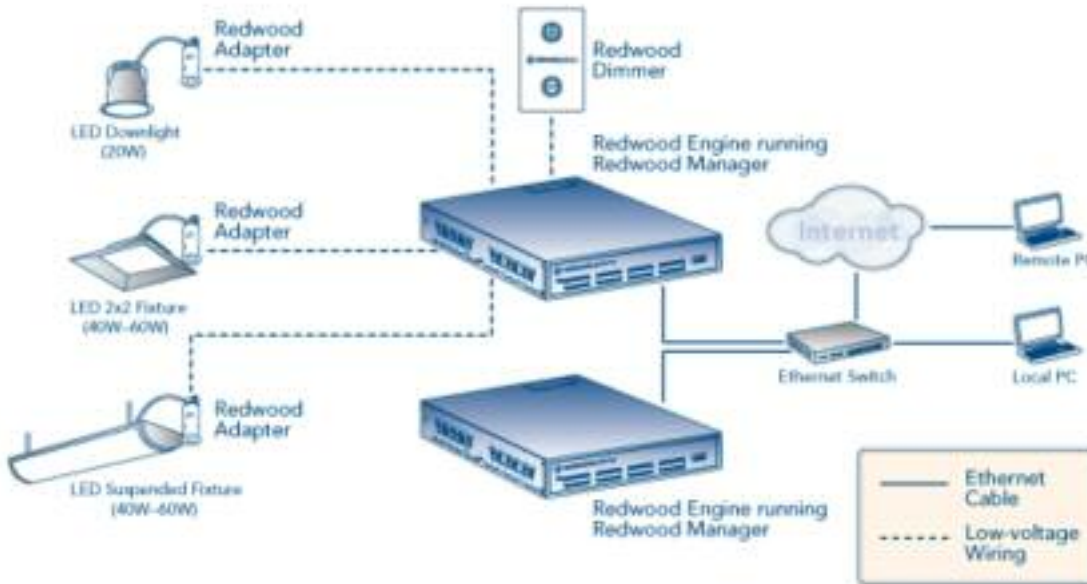
PHILIPS DAY-BRITE CANADA
189 Bullock Drive, Markham, Ontario, Canada L3P 1W4
Phone 905.294.9570 FAX 800.268.0003

DIMENSIONS

4



REDWOOD SYSTEM



Additional photometric test files are available at www.omegalighting.com