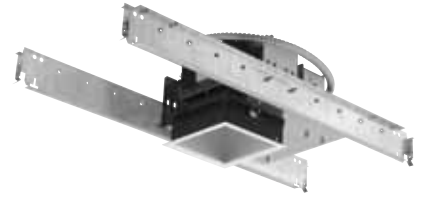


Architectural Downlighting

OM4LED SQUARE

4" LED 1000 Lumen
Square Downlight



Specifier's Reference

Project
Type
Model No.
Comments

application

- Philips Omega Revelation LED utilizes proprietary remote phosphor technology to produce one of the most efficient and advanced LED systems available for general illumination.

light engine

- Philips Omega mixing chamber/optical assembly:** Remote phosphor technology provides increased efficiency and color stability by redirecting back reflected light. Phosphor lens assembly converts high brightness blue light into white light for an even, diffused pattern, eliminating bright spots often created by individual LEDs. This technology provides consistent, stable color with CCT color control of +/- 100K over the life of the light engine and provides 20% higher efficiency.
- LED Array:** The LED Array consists of a metal core circuit board with 16 high brightness royal blue LEDs.
- Color:** Available in three CCT options, 3000K, 3500K or 4000K with 80CRI +/-2%.
- Electrical:** The power supply/driver features Advance Intelli-volt 120-277VAC 50/60hz, standard dimming driver with 0-10V analog dimming capability. The power supply is overload and short circuit protected as well as thermally regulated to prevent overheating. Sound rating A. Refer to dimming compatibility spec sheet for complete details. Driver has rated lifetime of 50,000 hours. For more detailed information on the Lutron Hi-Lume A Series, visit www.lutron.com.
- Lifetime/Lumen Maintenance:** 50,000 hour lifetime at 70% lumen maintenance light engine.

construction

- Thermal Management:** A proprietary die-cast aluminum heat sink allows for easy and tool-less installation to the housing yoke. The heat sink is designed to properly maintain junction temperatures in recessed Non-IC applications to provide reliable performance over the life

of the light engine. The heat sink incorporates alignment tabs to properly position with the housing. Rust resistant springs are used to secure the reflector to the light engine. Fixtures should not operated or exceed ambient temperature above 40°C.

- Housing:** Precision die stamped 18ga galvanized steel mounting pan and yoke assembly. Allows for ceiling thickness up to 1-3/8". Yoke supports weight of heat sink and light engine assembly to prevent stress on finished reflector.
- Reflector:** The lower trim is die-formed of 0.40 low iridescent aluminum and is self-flanged with a variety of finishes available. White flange is standard. Optional polished flange matching trim finish is available, add FF to the catalog number.
- C-Channels:** Philips Omega Revelation C-Channels are included and provide vertical and horizontal adjustments. These allow for fast and adjustment free installation in T-bar ceilings with 1/2" tile. C-Channels simply snap on grid for proper alignment in 24" O.C. grid systems.
- Junction Box:** 16 ga galvanized steel. UL listed for 8 No. 12 AWG, 90C through branch circuit conductors. Allows inspection below ceiling.
- Service:** Modular construction allows for easy maintenance of complete system below ceiling. Removing reflector provides easy access to heat sink and light engine assembly. This assembly may be removed by de-pressing the springs which attach to the yoke and then simply opening protective cover and unplugging the push in connector from the LED board.

listings & warranty

- ETL, cUL Listed. (Listed for damp location only)
- LED life calculations are based upon application junction temperatures an driver currents at or below IESNA - LM-80-08 manufacturer's test data. IES test performed per IESNA - LM-79-08.
- 5 year Warranty



Green Choice: OM4LED20SQ120-R4LED30KSQCS

HOUSING

OM4LED

Family
OM4LED
4 inch Square
Housing

20

Wattage
20 – 20 Input Watts

SQ

Housing Type
SQ – Square

Voltage
120 – 120 VAC
50/60Hz
277 – 277 VAC
50/60Hz
347 – Stepdown
(347:120/277)

– R4LED

Option
EM – Bodine BSL17C
Emergency Back-up¹
DL – Lutron A Dimming Series

LIGHT ENGINE - REFLECTOR

Omega Reflector
R4LED – 4" Reflector

CCT
30K – 3000K
35K – 3500K
40K – 4000K

SQ

Reflector Type
SQ – Square

Reflector Finish
CS – Clear Specular
CSS – Clear Semi-Specular
GS – Gold Specular
WT – Wheat
PW – Pewter
BZ – Bronze
WH – White, Paint
FF – Finish Flange
(as suffix to color)

Footnotes

1. Delivered lumen output in emergency mode ranges from 500-550lm.

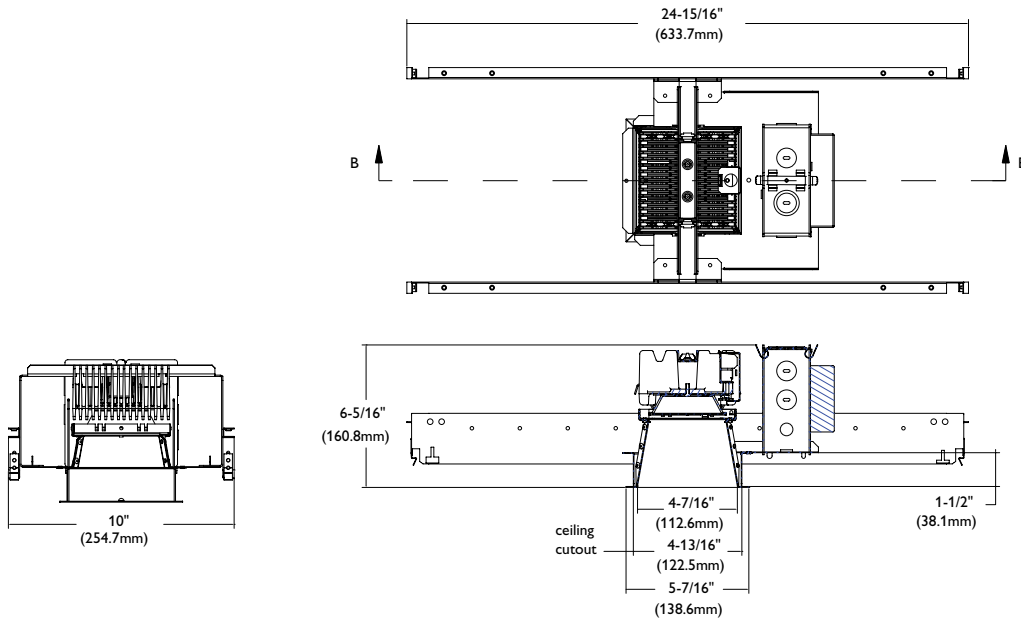
General Notes

Lumen output varies depending on CCT.
Refer to specific IES files for details

energy data

Input Voltage	Input Current	Drive Current	Input Power	LED Power	THD %	Power Factor
120	0.167	350mA	20	18	10%	>0.9
277	0.072	350mA	20	18	10%	>0.8

dimensions



photometrics

OM4LED20SQ120-R4LED35KSQCS

Tested to LM-79 standards.

Catalog No. OM4LED20SQ120-R4LED35KSQCS		Candela				Lighting Performance Data		
Test No.	19442	Degrees	At 0°	At 90°	Foot Lamberts	Ceiling Height (feet)	Initial Footcandles	Beam Diameter (Ft/In)
S/MH	(0 degree plane) 1.2	85	90	0	0	8	22.3	8 - 11
Lamp Type	(1)16 Royal Blue LEDs	75	1	1	56	10	12.0	12 - 1
Total Fixture Lumens	1030	65	3	3	137	12	7.5	15 - 4
IES File	LTL19442	55	36	35	1381	14	5.1	18 - 7
Input Watts	20	45	173	174	5475	16	3.7	21 - 10
Beam Angle	77.82	35	417	422				
Luminaire Efficacy	51.9 LPW	25	622	628				
		15	696	697				
		5	678	678				
		0	676	676				

Coefficients of Utilization						
pcc	80		70		50	
	50	30	50	30	50	30
pw						
RCR						
0	118	118	118	118	116	116
1	112	110	107	105	111	108
2	107	101	96	93	104	98
3	100	93	88	82	97	92
4	93	85	80	75	92	84
5	89	79	72	68	86	78
6	82	72	66	61	81	71
7	78	68	60	56	77	67
8	73	63	56	52	72	63
9	69	58	52	47	68	57
10	66	55	47	44	65	55



©2012 Philips Omega
 All rights reserved.
 776 South Green Street • Tupelo, MS 38804
 p. 800.234.1890 • f. 662.841.5501
 www.omegalighting.com
 Canadian Division
 189 Bullock Drive • Markham, Ontario L3P 1W4
 p. 905.294.9570 • f. 905.294.9811

Contact Factory for Additional Configurations.
 Specifications are subject to change without notice.



Some luminaires use fluorescent or high intensity discharge (HID) lamps that contain small amounts of mercury. Such lamps are labeled, "Contain Mercury" and/or the symbol "HG". Lamps that contain mercury must be disposed of in accordance with local requirements. Information regarding lamp recycling and disposal can be found at www.lamprecycle.org