

Architectural Downlighting

IC4LED SQUARE

4" LED 1000 Lumen IC Rated Square Lensed Wall Wash



Specifier's Reference

Project
Type
Model No.
Comments

application

- Philips Omega IC4LED specification grade square wall wash recessed downlight UL Listed for direct contact with ceiling insulation. Ideal for application requiring a balance of efficiency, performance and even illumination.

light engine

- Philips Omega mixing chamber/optical assembly: Remote phosphor technology provides increased efficiency and color stability by redirecting back reflected light. Phosphor lens assembly converts high brightness blue light into white light for an even, diffused pattern, eliminating bright spots often created by individual LEDs. This technology provides consistent, stable color with CCT color control of +/- 100K over the life of the light engine and provides 20% higher efficiency.
- LED Array: The LED Array consists of a metal core circuit board with 16 high brightness royal blue LEDs.
- Color: Available in three CCT options, 3000K, 3500K or 4000K with 80CRI +/-2%.
- Electrical: The power supply/driver features Advance Intelli-volt 120-277VAC 50/60hz, standard dimming driver with 0-10V analog dimming capability. The power supply is overload and short circuit protected as well as thermally regulated to prevent overheating. Sound rating A. Refer to dimming compatibility spec sheet for complete details. Driver has rated lifetime of 50,000 hours. For more detailed information on the Lutron Hi-Lume A Series dimming driver visit www.lutron.com.
- Lifetime/Lumen Maintenance: 50,000 hour lifetime at 70% lumen maintenance light engine.

construction

- Thermal Management: A proprietary die-cast aluminum heat sink allows for easy and tool-less installation to the housing yoke. The heat sink is designed to properly maintain junction temperatures in recessed IC applications to provide reliable performance over the life.

of the light engine. The heat sink incorporates alignment tabs to properly position with the housing. Rust resistant springs are used to secure the reflector to the light engine. Fixtures should not operated or exceed ambient temperature above 40°C.

- Housing: Precision die stamped 18ga galvanized steel mounting pan and yoke assembly. Allows for ceiling thickness up to 1-3/8". Yoke supports weight of heat sink and light engine assembly to prevent stress on finished reflector.
- Reflector: The lower trim is die-formed of 0.40 low iridescent aluminum and is self-flanged with a variety of finishes available. White flange is standard. Optional polished flange matching trim finish is available, add FF to the catalog number.
- Junction Box: 16 ga galvanized steel. UL listed for 8 No. 12 AWG, 90C through branch circuit conductors. Allows inspection below ceiling.
- Service: Modular construction allows for easy maintenance of complete system below ceiling. Removing reflector provides easy access to heat sink and light engine assembly. This assembly may be removed by de-pressing the springs which attach to the yoke and then simply opening protective cover and unplugging the push in connector from the LED board.

listings & warranty

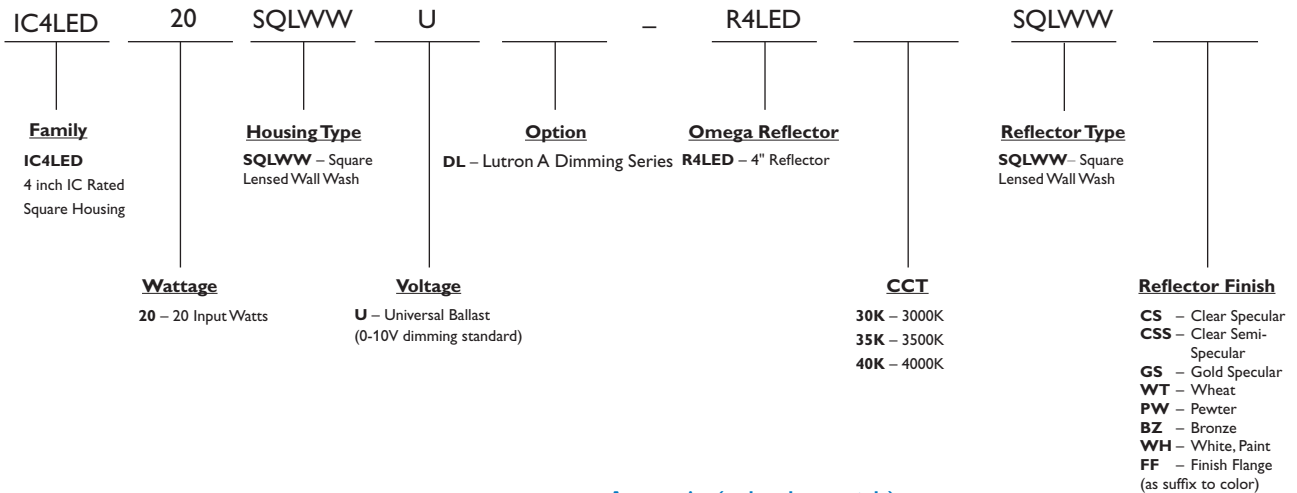
- ETL, cUL Listed (Suitable for wet location application.)
- LED life calculations are based upon application junction temperatures an driver currents at or below IESNA - LM-80-08 manufacturer's test data. IES test performed per IESNA - LM-79-08.
- 5 year Warranty



Green Choice: IC4LED20SQLWWU-R4LED30KSQLWWCS

HOUSING

LIGHT ENGINE - REFLECTOR



General Notes

Lumen output varies depending on CCT. Refer to specific IES files for details

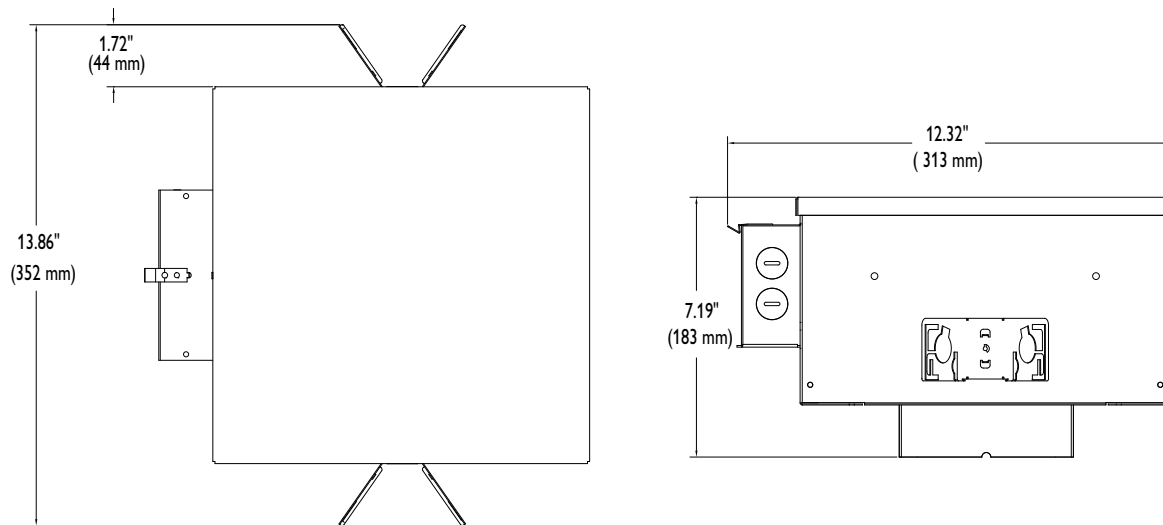
Accessories (ordered separately)

- Q1031 - 27" Flat Bar Hangers (pair) Wood Joist
- Q1032 - 24" C-Channel (pair)
- Q1033 - 24" Expandable T-Grid or Wood Joist (pair)

energy data

Input Voltage	Input Current	Drive Current	Input Power	LED Power	THD %	Power Factor
120	0.167	350mA	20	18	10%	>0.9
277	0.072	350mA	20	18	10%	>0.8

dimensions



photometrics

IC4LED20SQLWWU-R4LED35KSQLWWCS

Tested to LM-79 standards.

Wall Washer with Clear Reflector

Source: (1) 16 Royal Blue LEDs

Reflectances: 80% ceiling, 50% walls, 20% floor

IES File: 28968D1.IES

Distance from ceiling (ft)	3' from wall, 3' on center		3' from wall, 4' on center		2'-6" from wall, 3' on center		2'-6" from wall, 2'-6" on center	
	Below	Between	Below	Between	Below	Between	Below	Between
1	2.0	2.0	2.0	2.0	3.0	2.0	3.0	2.0
2	7.0	8.0	7.0	4.0	12.0	8.0	13.0	10.0
3	10.0	10.0	9.0	7.0	12.0	11.0	13.0	14.0
4	10.0	11.0	9.0	8.0	13.0	13.0	15.0	16.0
5	11.0	11.0	9.0	9.0	12.0	13.0	14.0	14.0
6	10.0	11.0	8.0	9.0	11.0	11.0	12.0	13.0
7	10.0	10.0	8.0	8.0	9.0	10.0	11.0	11.0
8	9.0	9.0	7.0	7.0	8.0	8.0	9.0	9.0
9	8.0	8.0	6.0	6.0	7.0	7.0	8.0	8.0



©2012 Philips Omega
All rights reserved.

776 South Green Street • Tupelo, MS 38804
p. 800.234.1890 • f. 662.841.5501
www.omegalighting.com
Canadian Division
189 Bullock Drive • Markham, Ontario L3P 1W4
p. 905.294.9570 • f. 905.294.9811

Contact Factory for Additional Configurations.
Specifications are subject to change without notice.



Some luminaires use fluorescent or high intensity discharge (HID) lamps that contain small amounts of mercury. Such lamps are labeled, "Contain Mercury" and/or the symbol "HG". Lamps that contain mercury must be disposed of in accordance with local requirements. Information regarding lamp recycling and disposal can be found at www.lamprecycle.org