

OM4100A19

4" A-Lamp Reflector Downlights

CAT. NO:

TYPE: PROJECT:



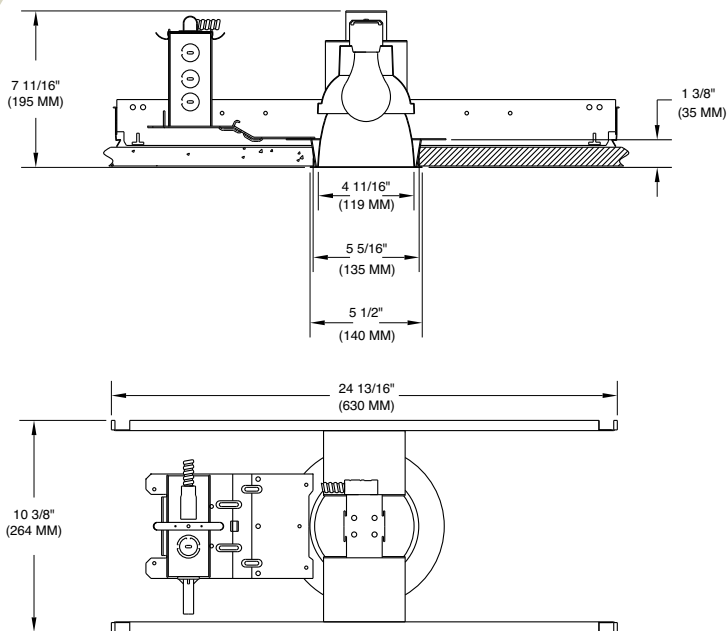
PRODUCT INFORMATION

Applications

A small aperture low brightness open reflector downlight for use with economical A type incandescent lamps. Provides broad, uniform light distribution with high efficiency for areas such as lobbies, reception areas, restaurants, residences and offices.

Specifications

- Mounting pan** - Precision die-stamped 16 gauge galvanized steel mounting pan and yoke assembly. Accommodates ceiling materials up to 1-3/8" thick.
- Installation** - Mounting pan has pre-installed C-channel with vertical and horizontal adjustments. Junction box and mounting brackets are accessible from below ceiling.
- Reflectors** - Precision spun .051 aluminum two piece reflector, self flanged with clear specular Alzak® finish. Reflector is screw mounted for positive attachment to socket assembly. Standard flat flange is painted white. Optional polished flange matching reflector finish available, add FF to catalog number.
- Socket** - Medium base 250V porcelain socket with nickel-plated copper screw shell and 200°C wire positions lamp at optical focal plane of reflector for maximum performance.
- Junction box** - Extra large 43.75-cubic inch 16 gauge galvanized steel with snap-on covers. Approved for through wiring with up to 8 #12 AWG conductors.
- Thermal protection** - A thermal protection device which meets all U.L. and NEC requirements is standard.
- U.L. Listed** - For use in damp locations and approved for Through Branch Circuit Wiring. I.B.E.W. union made.



4

Canadian Specifications may vary from these shown, consult Canadian Division.

CATALOG SYSTEM AND OPTIONS

EXAMPLE OF COMPLETE CATALOG NUMBER: **OM4100A19-CS**

OMEGA Aprt.	Lamp (by others)	Reflector Finish*	Frame Options**	Accessory
OM4	100 A19	-	-	-
		CS Clear Specular	FB Flat Bar Hangers	SA4 Sloped Ceiling Adapter ¹
		CSS Clear Semi-Specular		
		HZ Haze		
		GS Champagne Gold Specular		
		WT Wheat		
		PW Pewter		
		FF Finish Flange (As suffix to color)		



FIVE YEAR
Warranty

*Consult factory for other reflector finishes.
1. Must specify in 5° increments.

OM4100A19-CS

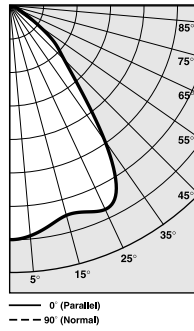
Photometric Data

Clear Specular Reflector

Report Number: F00485
 Lamp: 100W A19 Inside Frost
 Total Lumens: 1750
 Fixture Efficiency: = 64.3%
 IES File: EY2001.IES
 S/MH Ratio = 1.1
 Beam Angle: 77.81

LIGHTING PERFORMANCE DATA		
CEILING HEIGHT* (FT.)	INITIAL FOOTCANDLES	BEAM DIAMETER (FT.-IN.)
8	23.6	8-10
10	12.7	12-1
12	7.9	15-3
14	5.4	18-6
16	3.9	21-9

DISTRIBUTION CURVE



DEGREES	CANDELA	
	AT 0°	AT 90°
90	0	
85	0	0
75	0	0
65	0	0
55	73	3645
45	213	8588
35	512	
25	691	
15	652	
5	703	
0	714	

COEFFICIENTS OF UTILIZATION
ZONAL CAVITY METHOD

Effective Floor Cavity Reflectance 0.20

RC	80			70			50		
	50	30	50	30	50	30	50	30	
RW	50	30	50	30	50	30	50	30	
0	77	77	75	75	71	71			
1	71	69	70	68	67	66			
2	66	64	65	63	63	61			
3	61	58	61	58	59	56			
4	57	53	56	53	55	52			
5	53	49	52	49	51	48			
6	49	45	49	45	48	44			
7	45	41	45	41	44	40			
8	42	38	41	37	41	37			
9	39	34	38	34	38	34			
10	36	31	35	31	35	31			

4

*Readings at working plane, 2'6" above floor. Beam Angle and Diameter Cutoff at 50% of max. Candlepower Coefficients used at effective reflectances of: 70% Ceiling, 50% Walls, 20% Floor

To convert values for optional reflector colors, multiply by:
 Gold .90 Bronze .82 Pewter .87

Additional photometric test files are available @ omegalighting.com



OMEGA LIGHTING:
 776 South Green St., Tupelo, MS 38804
 Phone 662.842.7212 FAX 662.841.5501

CANADIAN DIVISION:
 189 Bullock Drive, Markham, Ontario, Canada L3P 1W4
 Phone 905.294.9570 FAX 800.268.0003