

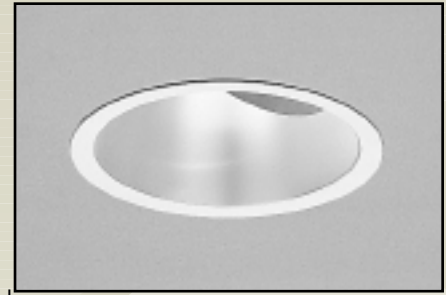
OM6500T4QTZTRRADJ30

6" Quartz Recessed Adjustable Downlight

CAT. NO:

TYPE:

PROJECT:



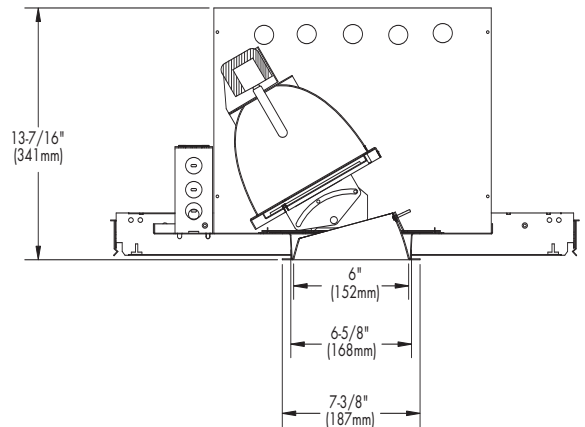
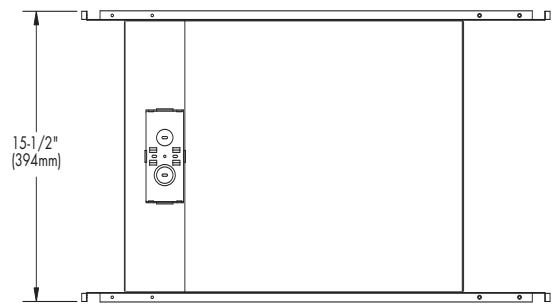
PRODUCT INFORMATION

Applications

Recessed 30° adjustable downlight well suited for accent lighting in sloped or flat ceiling applications, auditoriums, schools, churches, restaurants, hotels and offices. Full 365° horizontal rotation makes this fixture ideal for highlighting store displays, sculptures, or vertical surfaces. Low brightness matches all other 6" aperture downlights from Omega.

Specifications

- Mounting pan** - Precision die-formed 20 gauge galvanized steel mounting pan. Matte black finish.
 - Housing** - 20 gauge steel housing, matte black finish. Internal upper clear specular Alzak reflector engineered for precise optical control of beam.
 - Installation** - Housing has pre-installed C-channel with vertical and horizontal adjustments. Junction box and mounting brackets are accessible from below ceiling.
 - Tilt Rotation** - 0-30° of tilt with (2) thumbscrews for redundant locking. Optical assembly rotates 365°. Features nylon bushings for smooth operation and a rotation locking screw.
 - Trim** - Mechanically fastened (patent pending), precision spun .051 aluminum, self flanged with clear specular Alzak finish. Trim includes a lamp shatter guard of tempered safety glass. Standard is flat flange painted white. Optional polished flange matching finish available, add FF to catalog number.
 - Baffle** - Precision machined .051 aluminum with deep grooves to eliminate aperture glare, anodized matte black or matte white finish. Standard flat flange is painted white. Optional black flange with black baffle available, add FF to catalog number.
 - Shatter guard** - Mechanically fastened (patent pending) shatter guard of 1/8" thick tempered Borosilicate glass provided. Black perforated ring softens the edge of the beam to create very even illumination.
 - Socket enclosure** - Die cast aluminum heat sink, mini-can screw base porcelain socket with nickel-plated copper screw shell and 250°C Teflon® wire.
 - Junction box** - Extra large 43.75-cubic inch 16 gauge galvanized steel with snap-on covers. Approved for through wiring with up to 8 #12 AWG conductors.
 - Relamping** - Top and bottom relamping.
 - Thermal protection** - A thermal protection device which meets all U.L. and NEC requirements is standard.
 - U.L. Listed** - For use in damp locations and marked spacings. Approved for Through Branch Circuit Wiring. I.B.E.W. union made.
- ☛ Canadian Specifications may vary from these shown, consult Canadian Division.



6

CATALOG SYSTEM AND OPTIONS

EXAMPLE OF COMPLETE CATALOG NUMBER: OM6250T4QTZTRRADJ30WD-CS

OMEGA Apr.	Lamp (by others)	Top Relamping	Product Family	Distribution	Reflector Option	Reflector Finish*	Frame Options
OM6	500 T4QTZ ¹ 250 T4QTZ ² 150 T4QTZ ³	TR	RADJ30	WD Wide Distribution MD Medium Distribution ND Narrow Distribution	BB Black Baffle	CS Clear Specular CSS Clear Semi-Specular HZ Haze GS Champagne Gold Specular WT Wheat PW Pewter FF Finish Flange (As suffix to color)	FB Flat Bar Hangers



FIVE YEAR
Warranty

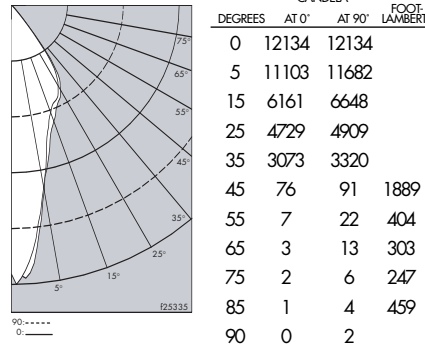
- Use Sylvania 500Q EYQ 130 volt lamp.
- Use Sylvania 250Q ESM 120 volt lamp.
- Use Philips 150Q ETH 120 volt lamp.
- Consult factory for other reflector finishes.

OM6500T4QTZTRRADJMDCS Photometric Data

Clear Specular Reflector
 Report Number: 25335
 Lamp: (1) 500W QTZ
 Total Lumens: 6897
 Fixture Efficiency: = 68.3%
 IES File: F25335.IES
 S/MH Ratio = 0.5, 0.5
 Beam Angle: 32.07

LIGHTING PERFORMANCE DATA		
CEILING HEIGHT* (FT.)	INITIAL FOOTCANDLES	BEAM DIAMETER (FT.-IN.)
8	401.1	3 - 2
10	215.7	4 - 4
12	134.4	5 - 6
14	91.8	6 - 7
16	66.6	7 - 9

DISTRIBUTION CURVE



COEFFICIENTS OF UTILIZATION ZONAL CAVITY METHOD

Effective Floor Cavity Reflectance 0.20

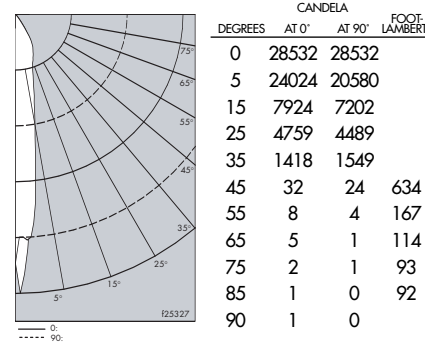
RC	Effective Floor Cavity Reflectance 0.20					
	80		70		50	
RW	50	30	50	30	50	30
0	81	81	81	81	79	79
1	78	76	73	72	76	73
2	73	70	68	66	72	69
3	70	66	63	60	68	65
4	67	61	58	56	66	61
5	64	58	55	52	63	57
6	60	55	51	47	59	55
7	57	52	47	45	56	52
8	55	48	45	42	55	48
9	53	46	42	40	52	46
10	51	44	40	38	50	44

OM6500T4QTZTRRADJNDCS Photometric Data

Clear Specular Reflector
 Report Number: 25327
 Lamp: (1) 500W QTZ
 Total Lumens: 7202
 Fixture Efficiency: = 71.3%
 IES File: F25327.IES
 S/MH Ratio = 0.3, 0.3
 Beam Angle: 17.23

LIGHTING PERFORMANCE DATA		
CEILING HEIGHT* (FT.)	INITIAL FOOTCANDLES	BEAM DIAMETER (FT.-IN.)
8	943.2	1 - 8
10	507.2	2 - 3
12	316.1	2 - 11
14	215.7	3 - 6
16	156.6	4 - 1

DISTRIBUTION CURVE



COEFFICIENTS OF UTILIZATION ZONAL CAVITY METHOD

Effective Floor Cavity Reflectance 0.20

RC	Effective Floor Cavity Reflectance 0.20					
	80		70		50	
RW	50	30	50	30	50	30
0	84	84	84	84	82	82
1	81	80	78	77	80	78
2	78	75	72	70	77	73
3	75	70	68	66	73	69
4	71	68	64	61	70	67
5	68	64	60	57	68	64
6	67	60	57	55	66	60
7	64	58	55	52	63	57
8	61	56	52	50	60	56
9	58	54	50	47	58	53
10	56	52	47	46	56	51

NOTE: All photometrics tests were taken at a 15° angle.
 Consult factory for additional photometrics @ www.omegalighting.com

*Readings at working plane, 2'6" above floor. Beam Angle and Diameter Cutoff at 50% of max.
 Candlepower Coefficients used at effective reflectances of: 70% Ceiling, 50% Walls, 20% Floor

To convert values for optional reflector colors, multiply by:
 Gold .90 Bronze .82 Pewter .87

Additional photometric test files are available @ omegalighting.com



OMEGA LIGHTING:
 776 South Green St., Tupelo, MS 38804
 Phone 662.842.7212 FAX 662.841.5501

CANADIAN DIVISION:
 189 Bullock Drive, Markham, Ontario, Canada L3P 1W4
 Phone 905.294.9570 FAX 800.268.0003