

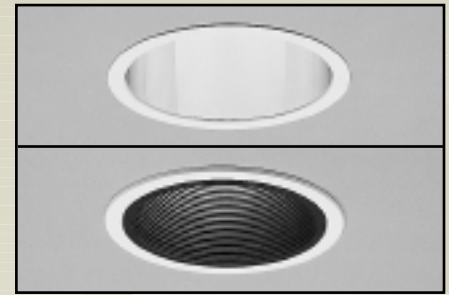
# OM6500T4QTZTRWD

## 6" Quartz Downlights

CAT. NO:

TYPE:

PROJECT:



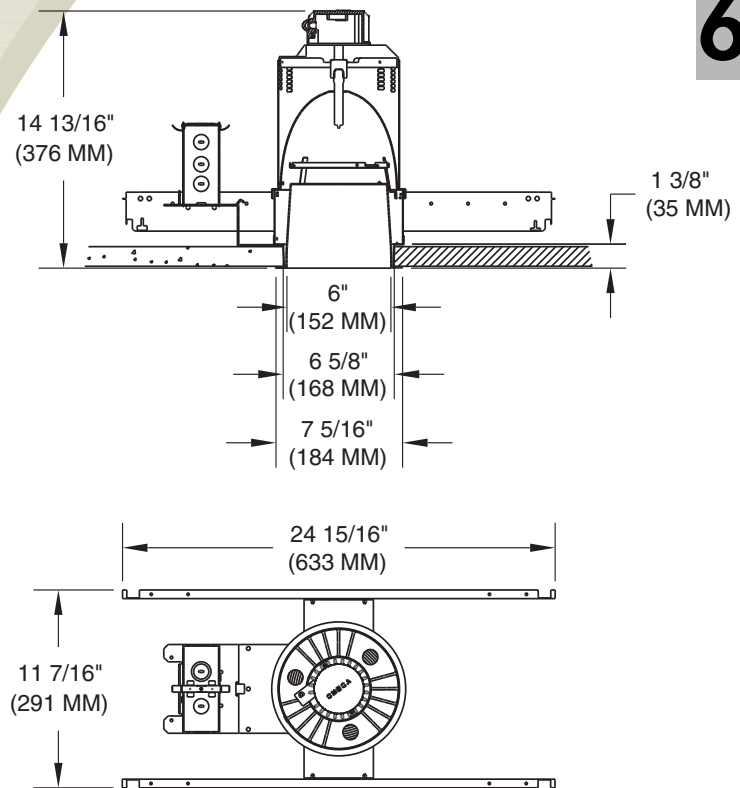
### PRODUCT INFORMATION

#### Applications

A quartz downlight suitable for high ceiling heights requiring smooth, even distribution and high efficiency. Provides general lighting in auditoriums, schools, churches, restaurants, hotels, banks, offices or retail applications.

#### Specifications

- Mounting pan** - Precision die-formed 20 gauge galvanized steel mounting pan.
- Housing** - 20 gauge bonderized steel housing, baked-on matte black finish. Internal upper clear specular Alzak reflector engineered for precise optical control of beam distribution to ensure maximum performance. Three (3) trim retainer clips riveted to housing at 120° secure reflector to fixture.
- Installation** - Mounting pan has pre-installed C-channel with vertical and horizontal adjustments. Junction box and mounting brackets are accessible from below ceiling.
- Trim** - Precision spun .051 aluminum, self flanged with clear specular Alzak finish. Trim includes a lamp shatter guard of tempered safety glass. Standard is flat flange painted white. Optional polished flange matching finish available, add FF to catalog number.
- Baffle** - Precision machined .051 aluminum with deep grooves to eliminate aperture glare, anodized matte black or matte white finish. Baffle includes a lamp shatter guard of tempered safety glass. Standard flat flange is painted white. Optional black flange available, add FF to catalog number.
- Shatter guard** - Protective lamp shatter guard of 1/8" thick tempered Borosilicate glass provided.
- Socket enclosure** - Die cast aluminum heat sink, mini-can screw base porcelain socket with nickel-plated copper screw shell and 250°C Teflon® wire.
- Junction box** - Extra large 28-cubic inch 14 gauge galvanized steel with snap-on covers. Approved for through wiring with up to 8 #12 AWG conductors.
- Relamping** - Top and bottom relampable.
- Thermal protection** - A thermal protection device which meets all U.L. and NEC requirements is standard.
- U.L. Listed** - For use in damp locations, marked spacing required and approved for Through Branch Circuit Wiring. I.B.E.W. union made.



6

Canadian Specifications may vary from these shown, consult Canadian Division.

### CATALOG SYSTEM AND OPTIONS

EXAMPLE OF COMPLETE CATALOG NUMBER: **OM6500T4QTZTRWD-CS**

| OMEGA Apr. | Lamp (by others) | Top Relamping | Distribution   | Reflector Option** | Reflector Finish*  | Frame Options                                     | Slope Adapter Angle             |
|------------|------------------|---------------|--|--------------------|--|---|---------------------------------|
| OM6        | 500 T4QTZ***     | TR            | WD Wide Distribution<br>MD Medium Distribution<br>ND Narrow Distribution | BB Black Baffle    | CS Clear Specular<br>CSS Clear Semi-Specular<br>HZ Haze<br>GS Champagne Gold Specular<br>WT Wheat<br>PW Pewter<br>FF Finish Flange<br>(As suffix to color) | FB Flat Bar Hangers<br>SA6 Sloped Ceiling Adapter | 5<br>10<br>15<br>20<br>25<br>30 |



FIVE YEAR  
Warranty

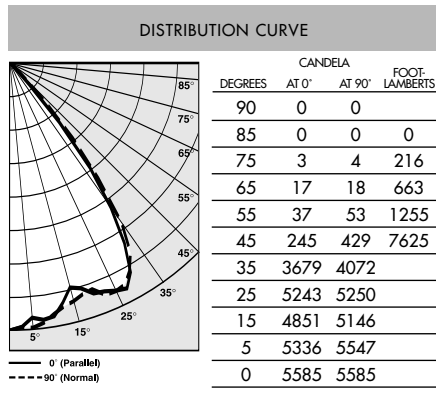
\*Consult factory for other reflector finishes.  
\*\* Black Baffle available with Clear Specular Reflector finish only.  
\*\*\*Use Sylvania 500Q EYV 130 volt lamp.

**OM6500T4QTZTRWD-CS** Photometric Data

**Clear Specular Reflector**

Report Number: 21696  
 Lamp: (1) 500W QTZ (Frosted)  
 Total Lumens: 10100  
 Fixture Efficiency: = 71.6%  
 IES File: F21696.IES  
 S/MH Ratio = 1.2, 1.3  
 Beam Angle: 75.81

| LIGHTING PERFORMANCE DATA |                     |                         |
|---------------------------|---------------------|-------------------------|
| CEILING HEIGHT* (FT.)     | INITIAL FOOTCANDLES | BEAM DIAMETER (FT.-IN.) |
| 8                         | 184.6               | 8-7                     |
| 10                        | 99.3                | 11-8                    |
| 12                        | 61.9                | 14-10                   |
| 14                        | 42.2                | 17-11                   |
| 16                        | 30.6                | 21-0                    |



COEFFICIENTS OF UTILIZATION ZONAL CAVITY METHOD

Effective Floor Cavity Reflectance 0.20

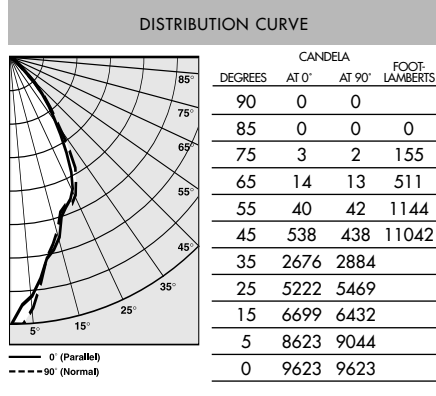
| RC | 80 |    | 70 |    | 50 |    |
|----|----|----|----|----|----|----|
|    | 50 | 30 | 50 | 30 | 50 | 30 |
| 0  | 84 | 84 | 82 | 82 | 80 | 80 |
| 1  | 79 | 77 | 77 | 76 | 75 | 72 |
| 2  | 72 | 69 | 71 | 68 | 69 | 67 |
| 3  | 68 | 64 | 67 | 63 | 65 | 61 |
| 4  | 63 | 58 | 61 | 57 | 59 | 56 |
| 5  | 57 | 54 | 57 | 53 | 56 | 53 |
| 6  | 54 | 50 | 54 | 48 | 53 | 48 |
| 7  | 51 | 46 | 50 | 46 | 48 | 45 |
| 8  | 46 | 42 | 46 | 41 | 46 | 41 |
| 9  | 44 | 40 | 44 | 39 | 42 | 39 |
| 10 | 40 | 36 | 40 | 36 | 40 | 36 |

**OM6500T4QTZTRMD-CS** Photometric Data

**Clear Specular Reflector**

Report Number: 21699  
 Lamp: (1) 500W QTZ (Frosted)  
 Total Lumens: 10100  
 Fixture Efficiency: = 72.7%  
 IES File: F21699.IES  
 S/MH Ratio = 0.7, 0.7  
 Beam Angle: 55.87

| LIGHTING PERFORMANCE DATA |                     |                         |
|---------------------------|---------------------|-------------------------|
| CEILING HEIGHT* (FT.)     | INITIAL FOOTCANDLES | BEAM DIAMETER (FT.-IN.) |
| 8                         | 318.1               | 5-10                    |
| 10                        | 171.1               | 7-11                    |
| 12                        | 106.6               | 10-1                    |
| 14                        | 72.8                | 12-2                    |
| 16                        | 52.8                | 14-4                    |



COEFFICIENTS OF UTILIZATION ZONAL CAVITY METHOD

Effective Floor Cavity Reflectance 0.20

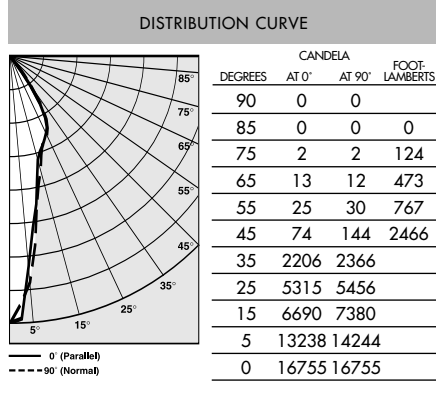
| RC | 80 |    | 70 |    | 50 |    |
|----|----|----|----|----|----|----|
|    | 50 | 30 | 50 | 30 | 50 | 30 |
| 0  | 86 | 86 | 84 | 84 | 81 | 81 |
| 1  | 80 | 79 | 79 | 77 | 76 | 75 |
| 2  | 75 | 71 | 73 | 70 | 70 | 68 |
| 3  | 69 | 66 | 68 | 65 | 67 | 64 |
| 4  | 65 | 60 | 64 | 60 | 63 | 58 |
| 5  | 60 | 56 | 59 | 56 | 58 | 55 |
| 6  | 56 | 53 | 56 | 52 | 55 | 52 |
| 7  | 54 | 48 | 53 | 48 | 52 | 47 |
| 8  | 50 | 46 | 50 | 46 | 48 | 45 |
| 9  | 46 | 42 | 46 | 42 | 46 | 42 |
| 10 | 45 | 40 | 45 | 40 | 44 | 40 |

**OM6500T4QTZTRND-CS** Photometric Data

**Clear Specular Reflector**

Report Number: 21700  
 Lamp: (1) 500W QTZ (Frosted)  
 Total Lumens: 10100  
 Fixture Efficiency: = 72.1%  
 IES File: F21700.IES  
 S/MH Ratio = 0.4, 0.4  
 Beam Angle: 23.71

| LIGHTING PERFORMANCE DATA |                     |                         |
|---------------------------|---------------------|-------------------------|
| CEILING HEIGHT* (FT.)     | INITIAL FOOTCANDLES | BEAM DIAMETER (FT.-IN.) |
| 8                         | 553.9               | 2-4                     |
| 10                        | 297.9               | 3-2                     |
| 12                        | 185.7               | 3-12                    |
| 14                        | 126.7               | 4-10                    |
| 16                        | 91.9                | 5-8                     |



COEFFICIENTS OF UTILIZATION ZONAL CAVITY METHOD

Effective Floor Cavity Reflectance 0.20

| RC | 80 |    | 70 |    | 50 |    |
|----|----|----|----|----|----|----|
|    | 50 | 30 | 50 | 30 | 50 | 30 |
| 0  | 85 | 85 | 83 | 83 | 80 | 80 |
| 1  | 80 | 79 | 79 | 77 | 76 | 75 |
| 2  | 75 | 71 | 73 | 70 | 71 | 69 |
| 3  | 70 | 67 | 69 | 66 | 68 | 65 |
| 4  | 66 | 63 | 66 | 61 | 64 | 60 |
| 5  | 63 | 58 | 61 | 57 | 60 | 56 |
| 6  | 58 | 55 | 58 | 55 | 56 | 54 |
| 7  | 56 | 52 | 55 | 52 | 55 | 51 |
| 8  | 53 | 48 | 53 | 48 | 52 | 47 |
| 9  | 50 | 46 | 50 | 46 | 48 | 46 |
| 10 | 47 | 44 | 47 | 44 | 46 | 44 |

**Note:** Test were conducted with a Sylvania 500Q EVY 130volt lamp.

\*Readings at working plane, 2'6" above floor. Beam Angle and Diameter Cutoff at 50% of max. Candlepower Coefficients used at effective reflectances of: 70% Ceiling, 50% Walls, 20% Floor

To convert values for optional reflector colors, multiply by:  
 Gold .90      Bronze .82      Pewter .87

Additional photometric test files are available @ [omegalighting.com](http://omegalighting.com)



**OMEGA LIGHTING:**  
 776 South Green St., Tupelo, MS 38804  
 Phone 662.842.7212 FAX 662.841.5501

**CANADIAN DIVISION:**  
 189 Bullock Drive, Markham, Ontario, Canada L3P 1W4  
 Phone 905.294.9570 FAX 800.268.0003