

# OM475MR16LV

## 4" Low Voltage Downlight

CAT. NO:

TYPE:

PROJECT:



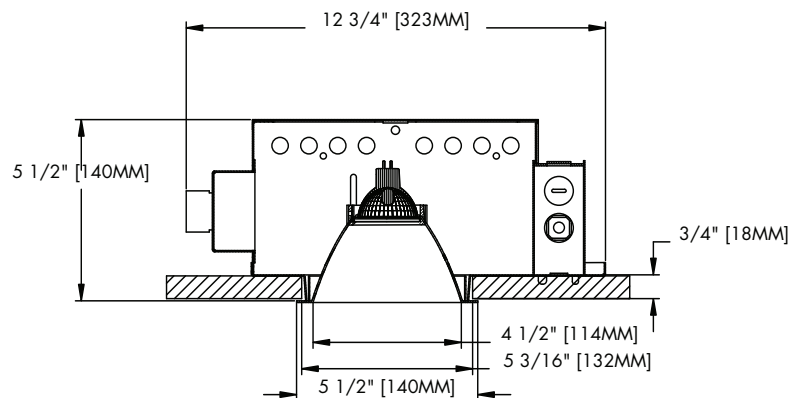
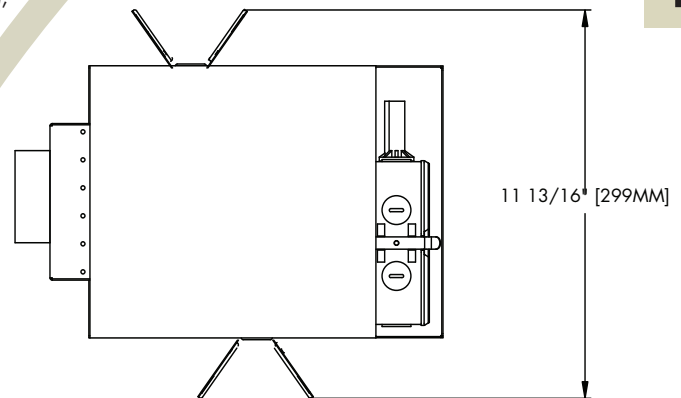
### PRODUCT INFORMATION

#### Applications

Small aperture, low brightness, low voltage downlight suitable for general or accent lighting in restaurants, museums, galleries, displays, lobbies, hotels, offices, or retail applications.

#### Specifications

- Housing** - Heavy 20 gauge formed steel housing features a matte black finish to suppress stray light.
  - Installation** - Mounting pan has pre-installed universal mounting brackets with vertical adjustment. Junction box and mounting brackets are accessible from below ceiling. Housing is accessible from above ceiling through removable top cover. For 24" C-channel hangers (pair), specify Q1032 accessory, ordered separately. For 27" flat bar hangers (pair), specify Q1031 accessory, ordered separately. For adjustable bar hangers (pair), specify Q1033 accessory, ordered separately.
  - Transformer** - Dimmable electronic transformer reduces weight and noise. Mounted via thumbscrews for tool-less replacement. Serviceable from above or through the aperture. Magnetic transformer optional.
  - Socket** - Bi-pin 20-75 watt GU 5.3 base with a quick-disconnect plug for easy replacement.
  - Junction Box** - Extra large 32-cubic inch 16 gauge galvanized steel designed to meet U.L./NEC requirements. Approved for through branch wiring with up to 6 #12 AWG connectors.
  - Trim** - Keyed trim assembly with torsion spring ensures proper installation and allows trim to hang hands-free during aiming or relamping. Alzak finish and self-flanged features are standard.
  - Media** - Accommodates up to 3 media cartridges. Media remains in place during relamping.
  - Lamp Retention System** - Patented lamp retention spring holds the lamp and media captive and simplifies relamping.
  - Relamping** - Fixture is suitable for top and bottom relamping. Additional relamp label provided for commissioning.
  - Heat Sink** - Die-cast aluminum lamp and media cartridge dissipates heat to lower operating temperatures and lengthen lamp life.
  - Thermal Protection** - A thermal protection device which meets all U.L. and NEC requirements is standard.
  - U.L. Listed** - For use in Non-IC damp locations and approved for Through Branch Circuit Wiring. I.B.E.W. union made.
- ♣ Canadian Specifications may vary from these shown, consult Canadian Division.



C-Channel not included.

4

### CATALOG SYSTEM AND OPTIONS

EXAMPLE OF COMPLETE CATALOG NUMBER: **OM475MR16LV-CS-ET120**

OMEGA	Max Wattage/ Revelation 4" Lamp	Trim Finish	Flange Option	Supply Voltage	Lens Accessories	Bar Hanger Accessories
OM4	75MR16LV	CS Clear Specular CSS Clear Semi-Specular HZ Haze GS Gold Specular WT Wheat PW Pewter BZ Bronze BK Black Alzak WH White BB Black Baffle WB White Baffle	Blank White FF Finish Flange (matches trim)	ET120 Electronic 120vac ET277 Electronic 277vac MB120 Magnetic 120vac MB277 Magnetic 277vac	OMMR16AF Amber Filter OMMR16BF Blue Filter OMMR16RF Red Filter OMMR16GF Green Filter OMMR16YF Yellow Filter OMMR16PF Pink Filter OMMR16LS Linear Spread OMMR16UV Optivex UV Filter OMMR16FL Frosted Lens OMMR16SO Solite Lens OMMR16LR Louver OMMR16PL Prismatic Lens	Q1031 Flat Bar Hanger Q1032 Channel Bar Hanger Q1033 Adjustable Bar Hanger



FIVE YEAR  
Warranty

**OM475MR16LV-CS-ET120**

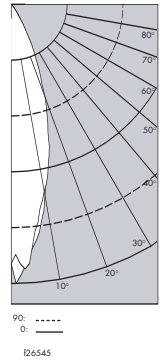
Photometric Data

**Clear Specular Reflector  
Flood 40°**

Report Number: 26545  
Lamp: Q71MR16 FL40  
Total Lumens: 1200  
IES File: F26545.IES

LIGHTING PERFORMANCE DATA		
CEILING HEIGHT* (FT.)	INITIAL FOOTCANDLES	BEAM DIAMETER (FT.-IN.)
8	93.1	3 - 0
10	50.0	4 - 2
12	31.2	5 - 3
14	21.3	6 - 4
16	15.4	7 - 6

**DISTRIBUTION CURVE**



DEGREES	CANDELA		FOOT-LAMBERTS
	AT 0°	AT 90°	
90	0	0	
85	0	0	0
75	0	0	0
65	1	1	85
55	4	4	251
45	14	14	713
35	101	96	
25	476	602	
15	1386	1596	
5	2657	2636	
0	2815	2815	

**COEFFICIENTS OF UTILIZATION  
ZONAL CAVITY METHOD**

Effective Floor Cavity Reflectance 0.20

RC	80			70			50		
	50	30	50	30	50	30	50	30	
RW	0	94	94	93	93	89	89		
	1	90	88	88	86	84	83		
	2	84	81	83	81	81	79		
	3	81	78	80	77	78	75		
	4	77	73	76	72	75	71		
	5	73	69	72	68	71	68		
	6	69	67	69	66	68	66		
	7	68	64	67	64	66	63		
	8	65	60	65	60	64	60		
	9	61	58	61	58	60	57		
	10	59	56	59	56	58	56		

4

**OM475MR16LV-CS-ET120**

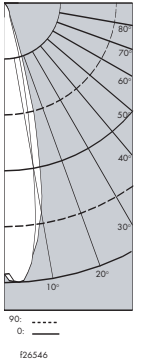
Photometric Data

**Clear Specular Reflector  
Narrow Flood 25°**

Report Number: 26546  
Lamp: Q71MR16 NFL25  
Total Lumens: 1125  
IES File: F26546.IES

LIGHTING PERFORMANCE DATA		
CEILING HEIGHT* (FT.)	INITIAL FOOTCANDLES	BEAM DIAMETER (FT.-IN.)
8	132.3	2 - 5
10	71.1	3 - 4
12	44.3	4 - 3
14	30.3	5 - 2
16	22.0	6 - 0

**DISTRIBUTION CURVE**



DEGREES	CANDELA		FOOT-LAMBERTS
	AT 0°	AT 90°	
90	0	0	
85	0	0	0
75	0	0	0
65	1	1	85
55	3	3	188
45	11	10	535
35	65	77	
25	184	171	
15	1679	896	
5	3905	3986	
0	4001	4001	

**COEFFICIENTS OF UTILIZATION  
ZONAL CAVITY METHOD**

Effective Floor Cavity Reflectance 0.20

RC	80			70			50		
	50	30	50	30	50	30	50	30	
RW	0	86	86	84	84	81	81		
	1	81	81	81	79	78	77		
	2	78	76	77	75	75	72		
	3	75	72	73	71	71	69		
	4	71	68	70	68	69	68		
	5	69	67	68	66	68	65		
	6	67	64	67	64	66	63		
	7	65	61	65	61	64	60		
	8	63	59	63	59	61	59		
	9	60	58	60	57	60	57		
	10	59	56	59	56	58	56		

**OM475MR16LV-CS-ET120**

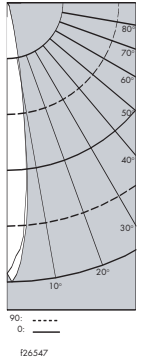
Photometric Data

**Clear Specular Reflector  
Narrow Spot 15°**

Report Number: 26547  
Lamp: Q71MR16 NSP15  
Total Lumens: 1125  
IES File: F26547.IES

LIGHTING PERFORMANCE DATA		
CEILING HEIGHT* (FT.)	INITIAL FOOTCANDLES	BEAM DIAMETER (FT.-IN.)
8	314.3	1 - 5
10	169.0	1 - 12
12	105.4	2 - 6
14	71.9	3 - 0
16	52.2	3 - 7

**DISTRIBUTION CURVE**



DEGREES	CANDELA		FOOT-LAMBERTS
	AT 0°	AT 90°	
90	0	0	
85	0	0	0
75	1	0	70
65	1	1	85
55	3	2	157
45	11	10	535
35	81	79	
25	202	210	
15	772	798	
5	7824	7243	
0	9508	9508	

**COEFFICIENTS OF UTILIZATION  
ZONAL CAVITY METHOD**

Effective Floor Cavity Reflectance 0.20

RC	80			70			50		
	50	30	50	30	50	30	50	30	
RW	0	96	96	93	93	90	90		
	1	92	91	92	89	86	85		
	2	88	85	89	84	84	82		
	3	84	82	86	81	81	80		
	4	81	80	84	79	80	78		
	5	80	77	82	77	78	76		
	6	78	75	81	75	76	73		
	7	76	72	80	72	75	71		
	8	73	70	78	70	72	70		
	9	72	69	77	69	71	68		
	10	70	68	75	68	70	68		

\*Readings at working plane, 2'6" above floor. Beam Angle and Diameter Cutoff at 50% of max. Candlpower Coefficients used at effective reflectances of: 70% Ceiling, 50% Walls, 20% Floor

Additional photometric test files are available @ [omega-lighting.com](http://omega-lighting.com)



**OMEGA LIGHTING:**  
776 South Green St., Tupelo, MS 38804  
Phone 662.842.7212 FAX 662.841.5501

**CANADIAN DIVISION:**  
189 Bullock Drive, Markham, Ontario, Canada L3P 1W4  
Phone 905.294.9570 FAX 800.268.0003