

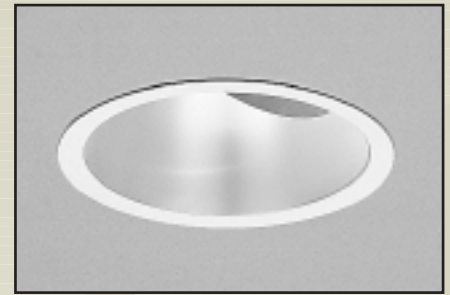
OM675PAR36LVRADJ35

6" Low Voltage Adjustable Downlights

CAT. NO:

TYPE:

PROJECT:



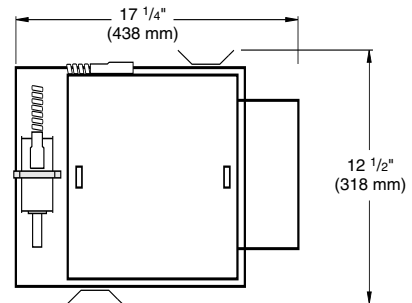
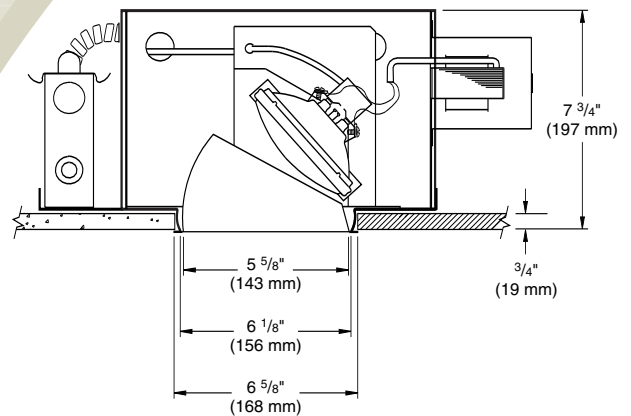
PRODUCT INFORMATION

Applications

Low brightness, low voltage/line voltage recessed 35° adjustable downlight suited for general or accent lighting in restaurants, lobbies, hotels, offices, museums, displays, exhibits or retail applications. Fixture may be changed in field from line voltage to low voltage for flexibility in many applications.

Specifications

- Housing** - 20 gauge bonderized steel housing and transformer compartment. Adjustable armature allows for vertical adjustment up to 35° and may be locked into place. Locking horizontal rotation up to 358°.
- Installation** - Housing has pre-installed universal mounting brackets with vertical adjustment. Junction box, transformer and mounting brackets are accessible from below ceiling. For 30" C-channel hanger pair, specify Q1030 accessory, ordered separately. For 27" flat bar hangers, specify FB accessory, ordered separately.
- Reflector** - Precision spun .051 aluminum, self flanged with clear specular Alzak bias cut 30° for maximum aiming flexibility. Standard flat flange is painted white. Optional polished flange matching reflector finish available, add FF to catalog number.
- Transformer** - 120 volt primary, 12 volt secondary magnetic transformer, rated for 20 to 75 watts. Transformer is removable through ceiling opening for servicing.
- Socket** - For use with PAR36 lamps, leads with space terminals are provided.
- Junction box** - Extra large 28-cubic inch 14 gauge galvanized steel with snap-on covers. Approved for through wiring with up to 8 #12 AWG conductors.
- Top relamping** - Available, consult factory.
- U.L. Listed** - For use in damp locations and approved for Through Branch Circuit Wiring. I.B.E.W. union made.
- AR111** - Lamping available. Consult factory.



C-Channel not included.

6

CATALOG SYSTEM AND OPTIONS

EXAMPLE OF COMPLETE CATALOG NUMBER: **OM675PAR36LVRADJ35-CS-120**

OMEGA Apr.	Lamp (by others)	Product Family	Reflector Finish*	Frame Options	Supply Voltage
OM6	75 PAR36 LV AR11- consult factory	RADJ 35 Recessed Adjustable	- CS Clear Specular CSS Clear Semi-Specular HZ Haze GS Champagne Gold Specular WT Wheat PW Pewter FF Finish Flange (As suffix to color)	- EB Electronic Ballast	- 120 277



FIVE YEAR
Warranty

*Consult factory for other reflector finishes.

OM675PAR36LVRADJ35

Adjustable Downlight

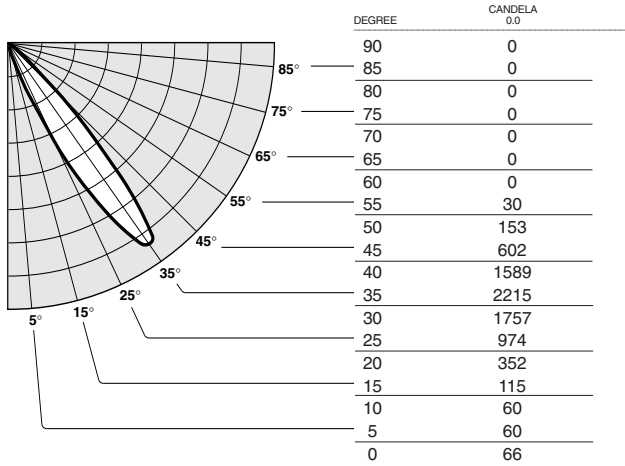
Test Number: F01781

Lamp: 50W PAR36 12V Spot IES File: LV3516.IES

Lamp in 35° Maximum Tilt Position

DISTRIBUTION CURVE

PHOTOMETRIC DATA



6

*Readings at working plane, 2'6" above floor. Beam Angle and Diameter Cutoff at 50% of max.
Candlepower Coefficients used at effective reflectances of: 70% Ceiling, 50% Walls, 20% Floor

To convert values for optional reflector colors, multiply by:
Gold .90 Bronze .82 Pewter .87

Additional photometric test files are available @ omega-lighting.com