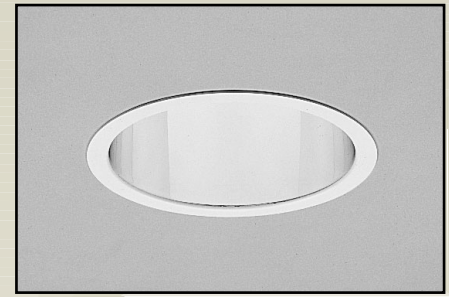


# OM439PAR20MH

## 4" PAR Downlight

CAT. NO:

TYPE:  PROJECT:



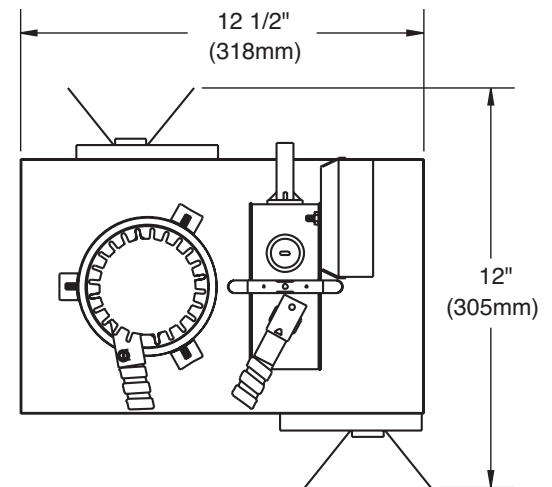
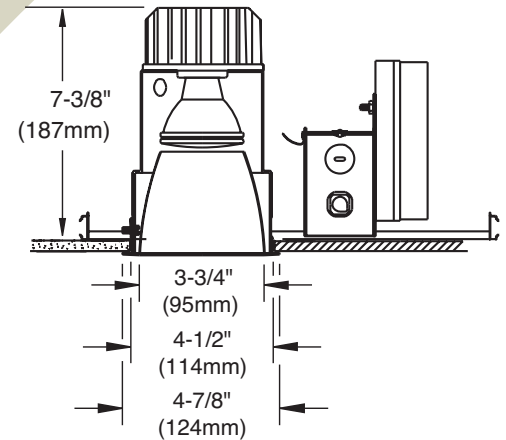
### PRODUCT INFORMATION

#### Applications

Low brightness, small aperture ceramic discharge metal halide downlight suitable for general or accent lighting in restaurants, lobbies, hotels, offices, retail and display applications.

#### Specifications

- Mounting pan** - Precision die-formed 22 gauge galvanized steel mounting pan.
- Housing** - 20 gauge galvanized steel lower housing, baked-on matte black finish with upper clear specular Alzak reflector.
- Ballast** - Totally enclosed, with <10% THD electronic ballast with internal ignitor, thermally protected. Ballast rated at a minimum starting temperature of - 30°F. Ballast is either 120V, 60HZ or 277V 60HZ with a sound rating of "A" for indoor applications. Ballast has a "turn-off" function for increased reliability and safety. Total wattage including ballast is 44W for 120V and 46W for 277V.
- Installation** - Mounting pan has pre-installed universal mounting brackets with vertical adjustment. Ballast, junction box and mounting brackets are accessible from below ceiling. For 30" C-channel hanger pair, specify Q1030 accessory, ordered separately. For 27" flat bar hanger pair, specify FB accessory, ordered separately.
- Reflector** - Precision spun aluminum one piece reflector, self flanged with clear specular Alzak finish. Standard flat flange is painted white. Optional polished flange matching reflector finish available, add FF to catalog number.
- Socket** - Medium base 4 K.V. pulse rated porcelain socket with nickel plated copper screw shell and 200°C wire.
- Junction box** - Extra large 28-cubic inch 14 gauge galvanized steel with snap-on covers. Approved for through wiring with up to 8 #12 AWG conductors.
- U.L. Listed** - For use in damp locations and approved for Through Branch Circuit Wiring. I.B.E.W. union made.



4

Canadian Specifications may vary from these shown, consult Canadian Division.

C-Channel not included.

### CATALOG SYSTEM AND OPTIONS

EXAMPLE OF COMPLETE CATALOG NUMBER: **OM439PAR20MH-CS-120EB**

OMEGA Apr.	Lamp (by others)	Lamp Type	Reflector Finish*	Frame Options	Slope Ceiling Adapter Angle	Supply Voltage
OM4	39 PAR20	MH Metal Halide	-	-	-	-
			CS Clear Specular	SA4 Sloped Ceiling Adapter	5	120EB Electronic
			CSS Clear Semi-Specular	FZ Fusing	10	277EB Electronic
			HZ Haze	FB Flat Bar Hangers	15	
			GS Champagne Gold Specular		20	
			WT Wheat		25	
			PW Pewter		30	
			FF Finish Flange (As suffix to color)			

\*Consult factory for other reflector finishes.



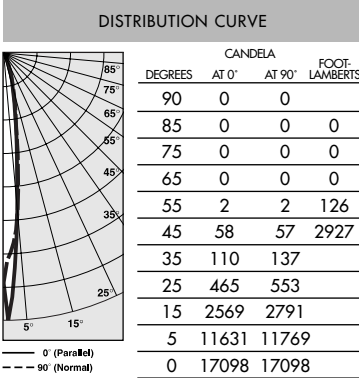
FIVE YEAR  
Warranty

**OM439PAR20MH-CS** Photometric Data

**Clear Specular Reflector**

Report Number: 20128  
 Lamp: (1) 39W MH Spot  
 Total Lumens: 2000  
 Fixture Efficiency: = 83.6%  
 IES File: F20128.IES  
 S/MH Ratio = 0.2, 0.2  
 Beam Angle: 13.40

LIGHTING PERFORMANCE DATA		
CEILING HEIGHT* (FT.)	INITIAL FOOTCANDLES	BEAM DIAMETER (FT.-IN.)
8	565.2	1-4
10	304.0	1-9
12	189.5	2-3
14	129.3	2-8
16	93.8	3-2



COEFFICIENTS OF UTILIZATION ZONAL CAVITY METHOD

Effective Floor Cavity Reflectance 0.20

RC	80			70			50		
	50	30	50	30	50	30	50	30	
0	98	98	96	96	93	93	93	93	
1	94	93	93	91	89	88	89	88	
2	90	88	89	86	85	84	85	84	
3	86	83	85	82	83	81	83	81	
4	83	80	82	80	81	79	81	79	
5	81	77	80	77	79	76	79	76	
6	78	75	78	73	76	73	76	73	
7	76	72	75	71	73	71	73	71	
8	73	69	72	69	72	69	72	69	
9	71	68	70	68	70	68	70	68	
10	69	67	69	67	68	66	68	66	

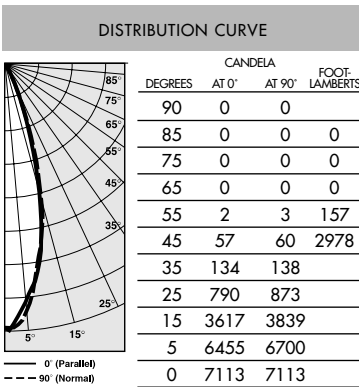
4

**OM439PAR20MH-CS** Photometric Data

**Clear Specular Reflector**

Report Number: 20127  
 Lamp: (1) 39W MH Flood  
 Total Lumens: 2000  
 Fixture Efficiency: = 92.3%  
 IES File: F20127.IES  
 S/MH Ratio = 0.5, 0.5  
 Beam Angle: 30.65

LIGHTING PERFORMANCE DATA		
CEILING HEIGHT* (FT.)	INITIAL FOOTCANDLES	BEAM DIAMETER (FT.-IN.)
8	235.1	3-0
10	126.5	4-1
12	78.8	5-2
14	53.8	6-4
16	39.0	7-5



COEFFICIENTS OF UTILIZATION ZONAL CAVITY METHOD

Effective Floor Cavity Reflectance 0.20

RC	80			70			50		
	50	30	50	30	50	30	50	30	
0	110	110	107	107	103	103	103	103	
1	104	102	102	100	97	96	97	96	
2	98	95	96	94	93	92	93	92	
3	93	91	93	90	91	88	91	88	
4	90	85	89	84	86	83	86	83	
5	85	81	85	81	83	81	83	81	
6	82	79	81	78	81	78	81	78	
7	80	76	79	75	78	75	78	75	
8	77	72	77	72	76	71	76	71	
9	73	69	73	69	72	69	72	69	
10	71	68	71	68	70	68	70	68	

\*Readings at working plane, 2'6" above floor. Beam Angle and Diameter Cutoff at 50% of max. Candelpower Coefficients used at effective reflectances of: 70% Ceiling, 50% Walls, 20% Floor

To convert values for optional reflector colors, multiply by:  
 Gold .90      Bronze .82      Pewter .87

Additional photometric test files are available @ [omegalighting.com](http://omegalighting.com)



**OMEGA LIGHTING:**  
 776 South Green St., Tupelo, MS 38804  
 Phone 662.842.7212 FAX 662.841.5501

**CANADIAN DIVISION:**  
 189 Bullock Drive, Markham, Ontario, Canada L3P 1W4  
 Phone 905.294.9570 FAX 800.268.0003