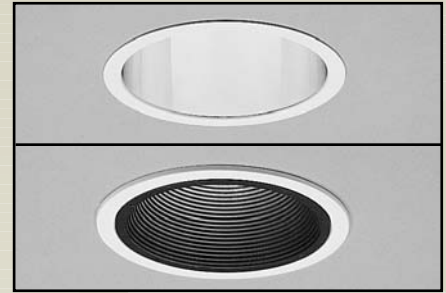


OM6150PAR38MHTR

6" Metal Halide Open Downlight, Top Relampable

CAT. NO:

TYPE: PROJECT:



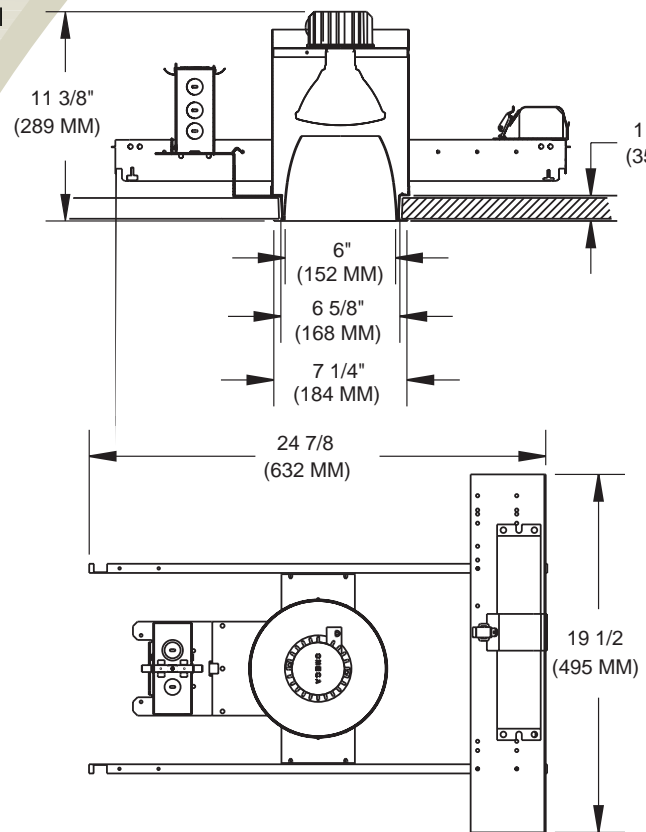
PRODUCT INFORMATION

Applications

Low brightness, small aperture ceramic discharge metal halide downlight suitable for general or accent lighting in restaurants, lobbies, hotels, offices, retail and display applications.

Specifications

- Mounting pan** - Precision die-formed 20 gauge galvanized steel mounting pan.
- Housing** - 20 gauge deep drawn steel housing removable for access to junction box, matte black finish. Three (3) trim retainer clips riveted to housing at 120° secure reflector to fixture.
- Ballast** - Totally enclosed and encapsulated, high power factor reactance ballast with internal ignitor, thermally protected. Ballast requires a minimum starting temperature of -20°F. Standard ballast is 120/277 dual tap, 60 hertz. For remote operation, voltages other than 120 or 277 or 50 HZ operation, consult factory.
- Installation** - Mounting pan has pre-installed C-channel with vertical and horizontal adjustments. Ballast, junction box and mounting brackets are accessible from below ceiling. For 27" flat bar hanger pair, specify FB accessory, ordered separately.
- Reflector** - Precision spun aluminum one piece reflector, self flanged with clear specular Alzak® finish. Standard flat flange is painted white. Optional polished flange matching reflector finish available, add FF to catalog number.
- Socket** - Medium base 4 K.V. pulse rated porcelain socket with nickel plated copper screw shell and 200°C wire.
- Junction box** - Extra large 43.75-cubic inch 14 gauge galvanized steel with snap-on covers. Approved for through wiring with up to 8 #12 AWG conductors.
- Relamping** - Bottom and Top Relampable.
- U.L. Listed** - For use in damp locations and approved for Through Branch Circuit Wiring. I.B.E.W. union made.



6

* Canadian Specifications may vary from these shown, consult Canadian Division.

CATALOG SYSTEM AND OPTIONS

EXAMPLE OF COMPLETE CATALOG NUMBER: **OM6150PAR38MHTR-CS-120/277**

OMEGA Apr.	Lamp (by others)	Lamp Type	Top Relamping	Reflector Option	Reflector Finish*	Frame Options	Slope Ceiling Adapter Angle	Supply Voltage
OM6	150 PAR38 100 PAR38 70 PAR30 39 PAR30	MH Metal Halide	TR Top Relamp	BB Black Baffle**	CS Clear Specular CSS Clear Semi-Specular HZ Haze GS Champagne Gold Specular WT Wheat PW Pewter FF Finish Flange (As suffix to color)	SA6 Sloped Ceiling Adapter FZ120 Fusing FZ277 Fusing FZ347 Fusing FB Flat Bar Hangers	5 10 15 20 25 30	120/277 347*



FIVE YEAR
Warranty

*Consult factory for other reflector finishes.

**Black Baffle available with Clear Specular Reflector finish only.

OM6100PAR38MHTR-CS

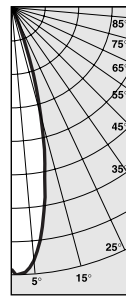
Photometric Data

Clear Specular Reflector

Report Number: 21906
 Lamp: 100W MH PAR 38 Flood
 Total Lumens: 6800
 Fixture Efficiency: = 86.8%
 IES File: F21906.IES
 S/MH Ratio = 0.5, 0.6
 Beam Angle: 30.77

LIGHTING PERFORMANCE DATA		
CEILING HEIGHT* (FT.)	INITIAL FOOTCANDLES	BEAM DIAMETER (FT.-IN.)
8	671.4	3-0
10	361.1	4-2
12	225.1	5-3
14	153.6	6-4
16	111.4	7-5

DISTRIBUTION CURVE



DEGREES	CANDELA		FOOT-LAMBERTS
	AT 0°	AT 90°	
90	0	0	
85	0	0	0
75	0	0	0
65	2	2	259
55	5	5	478
45	13	16	1124
35	85	111	
25	784	2587	
15	8765	11916	
5	19747	18903	
0	20311	20311	

COEFFICIENTS OF UTILIZATION ZONAL CAVITY METHOD

Effective Floor Cavity Reflectance 0.20

RC	80		70		50	
	50	30	50	30	50	30
0	103103		101101		96 96	
1	98 96		96 95		93 92	
2	94 91		92 90		89 88	
3	90 86		88 86		86 84	
4	86 83		85 82		83 81	
5	83 79		82 79		81 78	
6	80 77		80 76		74 71	
7	78 74		77 74		76 73	
8	75 72		75 71		74 71	
9	73 69		73 69		72 69	
10	71 67		71 67		70 67	

OM6100PAR38MHTRBB-CS

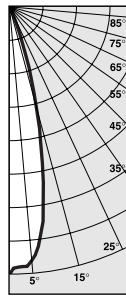
Photometric Data

Clear Specular Reflector with Black Baffle

Report Number: 21762
 Lamp: 100W MH PAR 38 Flood
 Total Lumens: 5800
 Fixture Efficiency: = 65.9%
 IES File: F21762.IES
 S/MH Ratio = 0.5, 0.5
 Beam Angle: 27.08

LIGHTING PERFORMANCE DATA		
CEILING HEIGHT* (FT.)	INITIAL FOOTCANDLES	BEAM DIAMETER (FT.-IN.)
8	659.0	2-8
10	354.4	3-7
12	220.9	4-7
14	150.7	5-6
16	109.4	6-6

DISTRIBUTION CURVE



DEGREES	CANDELA		FOOT-LAMBERTS
	AT 0°	AT 90°	
90	0	0	
85	0	0	0
75	1	2	93
65	2	3	95
55	3	4	98
45	5	7	136
35	23	41	
25	659	600	
15	7887	8180	
5	18951	18647	
0	19934	19934	

COEFFICIENTS OF UTILIZATION ZONAL CAVITY METHOD

Effective Floor Cavity Reflectance 0.20

RC	80		70		50	
	50	30	50	30	50	30
0	78 78		77 77		73 73	
1	75 74		73 72		71 70	
2	72 70		70 69		68 67	
3	69 67		68 66		66 65	
4	67 64		66 64		65 63	
5	64 62		64 62		63 61	
6	63 60		62 60		61 59	
7	61 58		60 58		60 58	
8	59 57		59 57		58 56	
9	58 55		57 55		57 55	
10	56 54		56 54		56 54	

6

*Readings at working plane, 2'6" above floor. Beam Angle and Diameter Cutoff at 50% of max. Candlepower Coefficients used at effective reflectances of: 70% Ceiling, 50% Walls, 20% Floor

To convert values for optional reflector colors, multiply by:
 Gold .90 Bronze .82 Pewter .87

Additional photometric test files are available @ omegalighting.com



OMEGA LIGHTING:
 776 South Green St., Tupelo, MS 38804
 Phone 662.842.7212 FAX 662.841.5501

CANADIAN DIVISION:
 189 Bullock Drive, Markham, Ontario, Canada L3P 1W4
 Phone 905.294.9570 FAX 800.268.0003