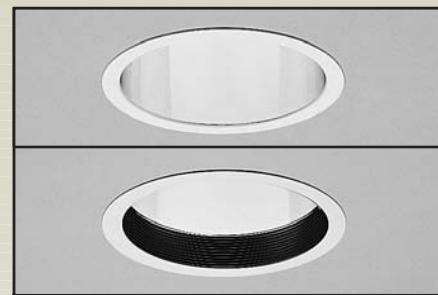


OM6150A21MRI

6" A-Lamp Reflector Downlights

CAT. NO:

TYPE: PROJECT:



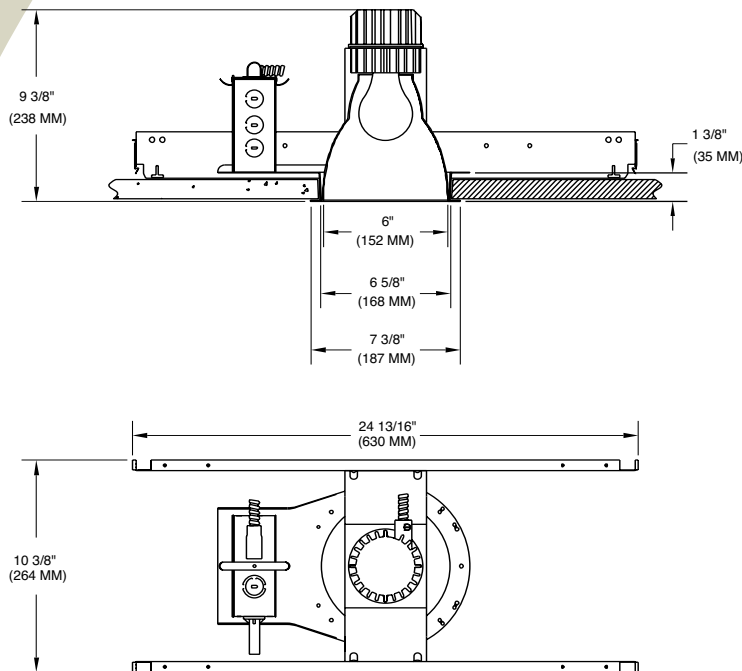
PRODUCT INFORMATION

Applications

A special application fixture constructed of non ferrous metals for use in Magnetic Resonance Imaging hospital facilities.

Specifications

- Mounting pan** - Precision die-formed 14 gauge aluminum mounting pan and yoke assembly.
- Installation** - Mounting pan has pre-installed C-channel with vertical and horizontal adjustments. Yoke adjusts for proper positioning of lamp within reflector. Junction box and mounting brackets are accessible from below ceiling.
- Reflectors** - Precision spun .051 aluminum reflector, self flanged with clear specular Alzak finish. Reflector is screw mounted for positive attachment to socket assembly. Standard flat flange is painted white. Optional polished flange matching reflector finish available, add FF to catalog number.
- Socket enclosure** - Die cast aluminum heat sink, medium base 250V porcelain socket with nickel-plated copper screw shell and 200°C wire positions lamp at optical focal plane of reflector for maximum performance.
- Junction box** - Extra large 43.75-cubic inch 14 gauge aluminum with snap-on covers. Approved for through wiring with up to 8 #12 AWG conductors.
- Thermal protection** - A thermal protection device which meets all U.L. and NEC requirements is standard.
- U.L. Listed** - For use in damp locations and approved for Through Branch Circuit Wiring. I.B.E.W. union made.



* Canadian Specifications may vary from these shown, consult Canadian Division.

6

CATALOG SYSTEM AND OPTIONS

EXAMPLE OF COMPLETE CATALOG NUMBER: **OM6150A21MRI-CS**

OMEGA Apr.	Lamp (by others)	Product Family	Reflector Option	Reflector Finish*
OM6	150 A21 100 A19	MRI Magnetic Resonance Imaging	BB Black Baffle	-
				CS Clear Specular CSS Clear Semi-Specular HZ Haze GS Champagne Gold Specular WT Wheat PW Pewter FF Finish Flange (As suffix to color)



FIVE YEAR
Warranty

*Consult factory for other reflector finishes.

OM6150A21MRI-CS

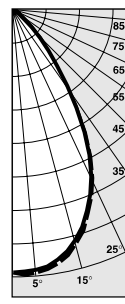
Photometric Data

Clear Specular Reflector

Report Number: 20931-1
 Lamp: (1) 150W A21
 Total Lumens: 2850
 Fixture Efficiency: = 53.1%
 IES File: F209311.IES
 S/MH Ratio = 1.0, 1.0
 Beam Angle: 62.11

LIGHTING PERFORMANCE DATA		
CEILING HEIGHT* (FT.)	INITIAL FOOTCANDLES	BEAM DIAMETER (FT.-IN.)
8	51.5	6-7
10	27.7	9-0
12	17.3	11-5
14	11.8	13-10
16	8.6	16-3

DISTRIBUTION CURVE



DEGREES	CANDELA		FOOT-LAMBERTS
	AT 0°	AT 90°	
90	0	0	
85	0	0	0
75	0	0	0
65	3	2	324
55	15	12	1290
45	151	152	11745
35	555	520	
25	1090	1103	
15	1414	1433	
5	1548	1564	
0	1559	1559	

COEFFICIENTS OF UTILIZATION ZONAL CAVITY METHOD

Effective Floor Cavity Reflectance 0.20

RC	80		70		50	
	50	30	50	30	50	30
0	63	63	61	61	58	58
1	58	56	57	56	56	55
2	55	52	54	52	52	50
3	51	47	50	47	48	46
4	46	44	46	44	46	42
5	44	40	44	40	42	40
6	40	38	40	38	40	38
7	39	35	39	34	38	34
8	36	33	35	33	35	33
9	34	30	34	30	34	30
10	33	28	32	28	32	28

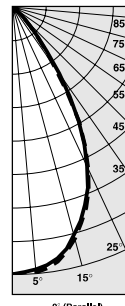
OM6150A21MRIBB-CS Photometric Data

Clear Specular Reflector with Black Baffle

Report Number: 20935
 Lamp: (1) 150W A21
 Total Lumens: 2850
 Fixture Efficiency: = 39.3%
 IES File: F20935.IES
 S/MH Ratio = 0.9, 0.9
 Beam Angle: 59.71

LIGHTING PERFORMANCE DATA		
CEILING HEIGHT* (FT.)	INITIAL FOOTCANDLES	BEAM DIAMETER (FT.-IN.)
8	41.9	6-4
10	22.5	8-7
12	14.0	10-11
14	9.6	13-2
16	7.0	15-6

DISTRIBUTION CURVE



DEGREES	CANDELA		FOOT-LAMBERTS
	AT 0°	AT 90°	
90	0	0	
85	0	0	0
75	0	0	0
65	2	0	130
55	3	2	
45	11	5	765
35	383	340	
25	831	846	
15	1118	1137	
5	1249	1264	
0	1267	1267	

COEFFICIENTS OF UTILIZATION ZONAL CAVITY METHOD

Effective Floor Cavity Reflectance 0.20

RC	80		70		50	
	50	30	50	30	50	30
0	46	46	46	46	44	44
1	44	42	42	41	40	40
2	40	39	40	38	39	36
3	38	35	36	35	35	34
4	34	33	34	33	34	32
5	33	30	33	30	32	29
6	30	28	30	28	29	28
7	28	27	28	27	28	27
8	28	25	27	25	27	25
9	26	23	26	23	26	23
10	25	22	25	22	23	22

6

*Readings at working plane, 2'6" above floor. Beam Angle and Diameter Cutoff at 50% of max. Candlepower Coefficients used at effective reflectances of: 70% Ceiling, 50% Walls, 20% Floor

To convert values for optional reflector colors, multiply by:
 Gold .90 Bronze .82 Pewter .87

Additional photometric test files are available @ omegalighting.com



OMEGA LIGHTING:
 776 South Green St., Tupelo, MS 38804
 Phone 662.842.7212 FAX 662.841.5501

CANADIAN DIVISION:
 189 Bullock Drive, Markham, Ontario, Canada L3P 1W4
 Phone 905.294.9570 FAX 800.268.0003