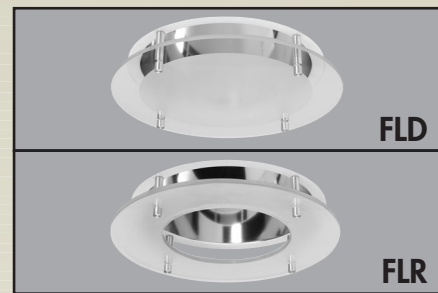


OM8H200A23MRIFLD/FLR

8" Horizontal A-Lamp Decorative Glass Downlights

CAT. NO:

TYPE: PROJECT:



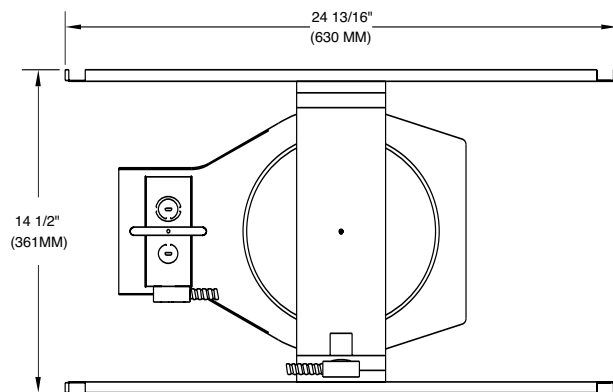
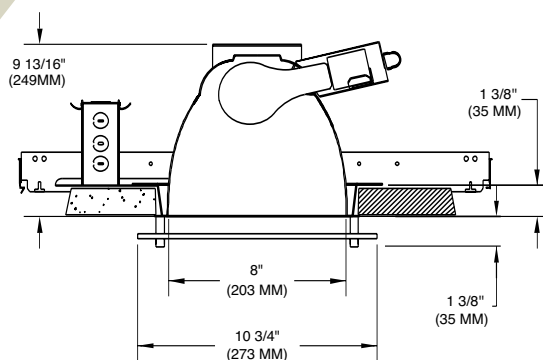
PRODUCT INFORMATION

Applications

A special application fixture constructed of non ferrous metals for use in Magnetic Resonance Imaging hospital facilities. The lens is placed in a fixed position with aluminum spacers to eliminate direct lamp image.

Specifications

- Mounting pan** - Precision die-formed 14 gauge aluminum mounting pan and yoke assembly.
- Installation** - Mounting pan has pre-installed C-channel with vertical and horizontal adjustments. Yoke adjusts for proper positioning of lamp within reflector. Junction box and mounting brackets are accessible from below ceiling.
- Reflectors** - Precision spun .051 aluminum reflector, self flanged with clear specular Alzak finish. Reflector is screw mounted for positive attachment to socket assembly. Standard flat flange is painted white. Standard flat flange is polished with matching reflector finish.
- Glass trim** - 1/4" thick tempered glass trim with silkscreen ceramic glaze.
- Socket** - Medium base 250V porcelain socket with nickel-plated copper screw shell and 200°C wire positions lamp at optical focal plane of reflector for maximum performance.
- Junction box** - Extra large 43.75-cubic inch 14 gauge aluminum with snap-on covers. Approved for through wiring with up to 8 #12 AWG conductors.
- Thermal protection** - A thermal protection device which meets all U.L. and NEC requirements is standard.
- U.L. Listed** - For use in damp locations and approved for Through Branch Circuit Wiring. I.B.E.W. union made.



* Canadian Specifications may vary from these shown, consult Canadian Division.

8

CATALOG SYSTEM AND OPTIONS

EXAMPLE OF COMPLETE CATALOG NUMBER: **OM8H200A23MRIFLD-CSFF**

OMEGA Apr.	Lamp Position	Lamp (by others)	Product Family	Glass Option	Reflector Finish*
OM8	H Horizontal	200 A23 150 A21	MRI Magnetic Resonance Imaging	FLD Floating Luminous Disk FLR Floating Luminous Ring	CS Clear Specular CSS Clear Semi-Specular HZ Haze GS Champagne Gold Specular WT Wheat PW Pewter FF Finish Flange (As suffix to color)



FIVE YEAR
Warranty

*Consult factory for other reflector finishes.

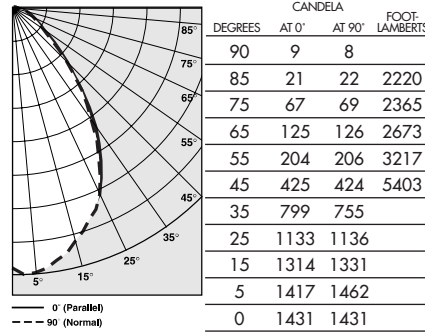
OM8H200A23MRIFLD-CSFF Photometric Data

Decorative Lens with Floating Luminous Disk

Report Number: 21445
 Lamp: 200W A23
 Total Lumens: 3800
 Fixture Efficiency: = 60.9%
 IES File: F21445.IES
 S/MH Ratio = 1.1, 1.1
 Beam Angle: 74.03

LIGHTING PERFORMANCE DATA		
CEILING HEIGHT* (FT.)	INITIAL FOOTCANDLES	BEAM DIAMETER (FT.-IN.)
8	47.3	8-4
10	25.4	11-4
12	15.9	14-4
14	10.8	17-4
16	7.9	20-4

DISTRIBUTION CURVE



COEFFICIENTS OF UTILIZATION ZONAL CAVITY METHOD

Effective Floor Cavity Reflectance 0.20

RC	80		70		50	
	50	30	50	30	50	30
RW	50	30	50	30	50	30
0	72	75	70	70	68	68
1	65	63	64	61	61	59
2	58	56	57	55	56	53
3	53	48	52	48	51	47
4	48	44	47	44	46	42
5	44	40	44	39	42	39
6	40	35	40	35	39	34
7	38	33	36	33	35	32
8	34	29	34	29	34	29
9	32	28	32	28	30	28
10	29	26	29	26	28	26

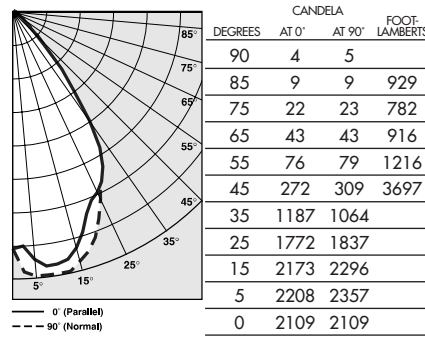
OM8H200A23MRIFLR-CSFF Photometric Data

Decorative Lens with Floating Luminous Ring

Report Number: 21446
 Lamp: 200W A23
 Total Lumens: 3800
 Fixture Efficiency: = 76.0%
 IES File: F21446.IES
 S/MH Ratio = 1.1, 1.1
 Beam Angle: 71.43

LIGHTING PERFORMANCE DATA		
CEILING HEIGHT* (FT.)	INITIAL FOOTCANDLES	BEAM DIAMETER (FT.-IN.)
8	69.7	7-11
10	37.5	10-9
12	23.4	13-8
14	15.9	16-6
16	11.6	19-5

DISTRIBUTION CURVE



COEFFICIENTS OF UTILIZATION ZONAL CAVITY METHOD

Effective Floor Cavity Reflectance 0.20

RC	80		70		50	
	50	30	50	30	50	30
RW	50	30	50	30	50	30
0	90	90	88	88	83	83
1	82	81	81	80	79	77
2	77	72	76	71	72	69
3	70	67	69	66	68	65
4	66	60	65	60	63	59
5	60	56	59	56	58	55
6	56	52	56	52	55	51
7	53	47	53	47	52	46
8	50	45	48	45	47	44
9	46	41	46	41	45	40
10	44	39	42	39	42	39

8

*Readings at working plane, 2'6" above floor. Beam Angle and Diameter Cutoff at 50% of max.
 Candlepower Coefficients used at effective reflectances of: 70% Ceiling, 50% Walls, 20% Floor

Additional photometric test files are available @ omegalighting.com



OMEGA LIGHTING:
 776 South Green St., Tupelo, MS 38804
 Phone 662.842.7212 FAX 662.841.5501

CANADIAN DIVISION:
 189 Bullock Drive, Markham, Ontario, Canada L3P 1W4
 Phone 905.294.9570 FAX 800.268.0003