

OM61H42PLTUPDNPC SPL

6" Splay Lens Reflector Horz. Up/Down Cylinder

CAT NO:

TYPE:

PROJECT:



PRODUCT INFORMATION

Applications

A soft edged, lensed cylinder for use with energy efficient compact fluorescent lamps. Provides broad, uniform light distribution while concealing lamp image and maintaining good visual cutoff. Ideal for areas such as lobbies, corridors, canopies, soffits, restaurants and offices.

Specifications

1. **Ballast** - One (1) or Two (2) Type 1 Class P, high power factor universal voltage compact fluorescent ballast. Offers 2 lamp operation for 120 through 277 volt input voltage.

	(4) 18W 120V	18W 277V	(4) 26W 120V	26W 277V	(2) 32W 120V	32W 277V	(2) 42W 120V	42W 277V
Line current amps	.72	.30	.98	.42	.58	.26	.76	.32
Input watts including ballast loss	80	80	112	112	69	67	91	90
Ballast factor	.98+	.98+	.98+	.98+	1.00	1.00	.98	.98
Minimum starting temperature	0°F	0°F	0°F	0°F	0°F	0°F	0°F	0°F

2. **Housing** - Aluminum cylinder with cast aluminum top. Standard color is white baked polyester powder coat UV stabilized for exterior use and textured for aesthetic appeal.

3. **Installation** - Grounded circle strap provided for mounting to junction box (by others). Ballasts and wiring compartment are accessible from below fixture.

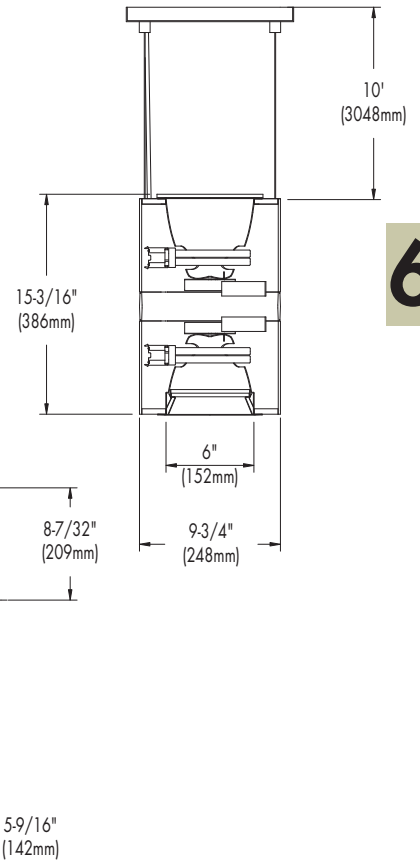
4. **Splay Trim** - Spun aluminum regressed splay trim with white powder paint finish. Torsion spring mounting for ease of installation. Flat fresnel and prismatic lens for smooth, even distribution of light. Flat clear tempered lens for enclosed application.

5. **Socket** - CFM42W/GX24q, CFM32W/GX24q, CFM26W/GX24q, CFQ26W/G24q, CFQ18W/G24q

6. **Pendant** - Pendant mount features three stainless steel aircraft cables that are easily field adjustable to any length.

7. **U.L. Listed** - For use in damp locations. For wet locations add option "WL", wall mount only. I.B.E.W. union made.

☛ Canadian Specifications may vary from these shown, consult Canadian Division.



6

CATALOG SYSTEM AND OPTIONS

EXAMPLE OF COMPLETE CATALOG NUMBER: **OM61H42PLTUPDNPC SPL-FL-U**

OMEGA Aprt	No. of Lamps	Lamp position	Lamp (by others)	Product Family	Reflector Option	Lens Option (Required)	Options	Supply Voltage
OM6	1	H	42 PLTUPDN - Triple Tube CFL	WC Wall Cylinder	SPL Splay Lens (white)	FL Fresnel Lens	F1 Fusing	U 120/277
	2 ¹		32 PLTUPDN - Triple Tube CFL	PC Pendant Cylinder	CSSPL Clear Specular Splay	PL Prismatic	F2 Fusing	3 347☛
			26 PLTUPDN - Triple Tube CFL		BBSPL Black Baffle Splay	CL Clear Lens	F3 Fusing	
			26 QPLUPDN - Quad Tube CFL		BKSPL Splay Lens (black)		WL Wet Location ²	
			18 QPLUPDN - Quad Tube CFL				DL1 Dimming, Lutron Compact SE, 120v	
							DL2 Dimming, Lutron Compact SE, 277v	
							DX1 Dimming, Advance Mark X, 120v	
							DX2 Dimming, Advance Mark X, 277v	
							ALA Aluminum Paint	
							BK Black Paint	
							BZ Bronze Paint	



FIVE YEAR
Warranty

1. 2 lamp configuration available for Quad Tube lamps only.
2. Wet Location available on wall mount only.

Note: Downlight data shown, uplight has the same distribution.

OM61H42PLTSPL-FL Photometric Data

Fresnel Lens with White Regressed Splay

Report Number: 20687

Lamp: (1) CFM42W

Total Lumens: 3200

Fixture Efficiency: = 38.8%

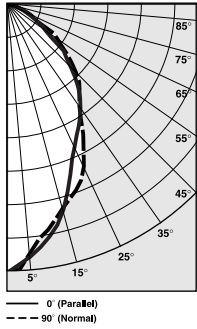
IES File: F20687.IES

S/MH Ratio = 0.8, 0.9

Beam Angle: 65.46

LIGHTING PERFORMANCE DATA		
CEILING HEIGHT* (FT.)	INITIAL FOOTCANDLES	BEAM DIAMETER (FT.-IN.)
8	28.4	7-1
10	15.3	9-3
12	9.5	12-3
14	6.5	14-9
16	4.7	17-4

DISTRIBUTION CURVE



DEGREES	CANDELA		FOOT-LAMBERTS
	AT 0°	AT 90°	
90	0	2	
85	5	5	918
75	21	25	1422
65	67	78	2745
55	145	191	4686
45	282	305	6641
35	403	397	
25	503	573	
15	682	676	
5	812	800	
0	858	858	

COEFFICIENTS OF UTILIZATION ZONAL CAVITY METHOD

Effective Floor Cavity Reflectance 0.20

RC	80		70		50	
	50	30	50	30	50	30
RW	50	30	50	30	50	30
0	46	46	45	45	42	42
1	41	40	40	40	39	38
2	36	34	36	34	34	34
3	34	30	33	30	32	29
4	30	28	29	27	28	27
5	28	25	27	25	27	23
6	25	22	25	22	23	22
7	23	20	23	20	22	20
8	22	19	20	17	20	17
9	20	17	20	17	19	17
10	19	16	17	16	17	16

OM62H26QPLSPL-FL Photometric Data

Fresnel Lens with White Regressed Splay

Report Number: 20722

Lamp: (2) CFQ26W

Total Lumens: 3600

Fixture Efficiency: = 28.9%

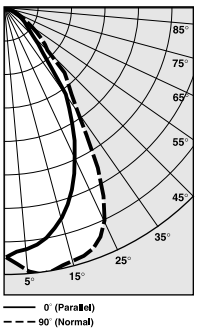
IES File: F20722.IES

S/MH Ratio = 0.9, 1.1

Beam Angle: 68.61

LIGHTING PERFORMANCE DATA		
CEILING HEIGHT* (FT.)	INITIAL FOOTCANDLES	BEAM DIAMETER (FT.-IN.)
8	24.8	7-6
10	13.4	10-3
12	8.3	12-12
14	5.7	15-8
16	4.1	18-5

DISTRIBUTION CURVE



DEGREES	CANDELA		FOOT-LAMBERTS
	AT 0°	AT 90°	
90	0	1	
85	3	3	551
75	16	15	958
65	37	44	1533
55	67	97	2287
45	114	177	3292
35	315	376	
25	491	705	
15	653	788	
5	729	797	
0	751	751	

COEFFICIENTS OF UTILIZATION ZONAL CAVITY METHOD

Effective Floor Cavity Reflectance 0.20

RC	80		70		50	
	50	30	50	30	50	30
RW	50	30	50	30	50	30
0	34	34	34	34	32	32
1	30	29	30	29	29	28
2	28	27	28	27	27	26
3	26	23	26	23	25	23
4	23	22	23	22	23	20
5	22	20	22	20	20	20
6	20	17	20	17	20	17
7	19	17	19	17	17	17
8	17	16	17	14	17	14
9	16	14	16	14	16	14
10	14	13	14	13	14	13

6

*Readings at working plane, 2'6" above floor. Beam Angle and Diameter Cutoff at 50% of max. Candelpower Coefficients used at effective reflectances of: 70% Ceiling, 50% Walls, 20% Floor
Additional photometric test files are available @ omegalighting.com

To convert values for optional reflector colors, multiply by:
 Gold .90 Bronze .82 Pewter .87