

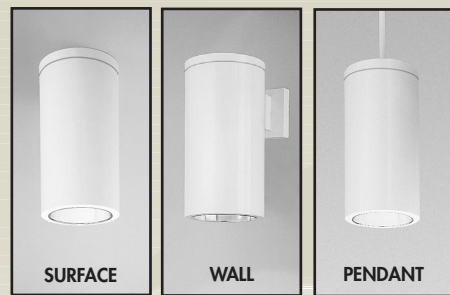
# OM642PLTPC

## 6" Open Cylinder

CAT NO:

TYPE:

PROJECT:



### PRODUCT INFORMATION

#### Applications

Open reflector cylinder for use with long-life energy efficient compact fluorescent lamps. Provides uniform light distribution with excellent color rendition. Ideal for medium ceiling heights, and areas requiring long hours of continuous operation such as lobbies, corridors, reception areas and offices.

#### Specifications

1. **Ballast** - One (1) Type 1 Class P, high power factor universal voltage compact fluorescent ballast. Offers 1 lamp operation for 120 through 277 volt input voltage.

	18W 120V	18W 277V	26W 120V	26W 277V	32W 120V	32W 277V	42W 120V	42W 277V
Line current amps	.19	.08	.25	.11	.32	.14	.42	.18
Input watts including ballast loss	22	22	28	28	36	36	48	48
Ballast factor	1.00	1.00	.98+	.98+	1.00	1.00	.98+	.98+
Minimum starting temperature	0°F	0°F	0°F	0°F	0°F	0°F	0°F	0°F

2. **Housing** - Aluminum cylinder with cast aluminum top and bottom ring.

3. **Installation** - Grounded circle strap provided for mounting to junction box (by others). Ballasts and wiring compartment are accessible from below fixture.

4. **Reflectors** - Precision spun .050 aluminum one piece reflector, self flanged with clear specular low iridescent finish. The reflector is screw mounted for positive attachment to the socket assembly. Polished flat flange matches reflector finish.

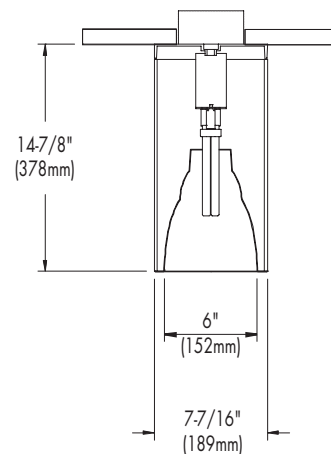
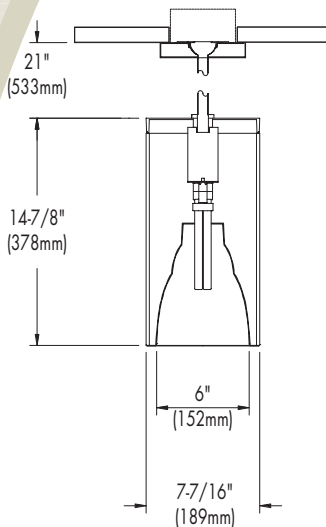
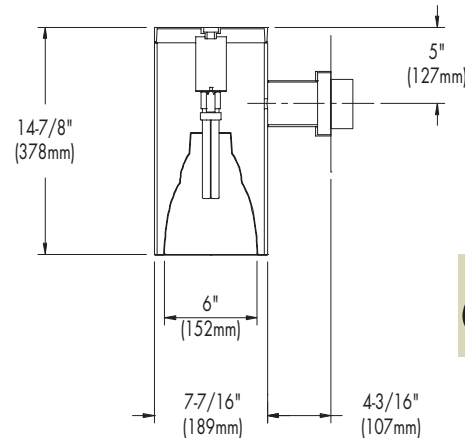
5. **Socket** - CFM42W/GX24q, CFM32W/GX24q, CFM26W/GX24q, CFM18W/GX24q, CFQ26W/G24q, CFQ18W/G24q, CFQ13W/G24q

6. **Optional remote emergency system** - Emergency system includes remote battery, electronic circuitry, charger, and test/monitor plate with test switch and charging indicator light. For further information see spec sheet 8-1.

7. **Aligning Canopy** - Die cast aluminum free moving and self aligning outlet box cover. Attaches to 3 1/4" or 4" octagon outlet box (by others). Allows for up to 45° adjustability for use with sloped ceilings or seismic requirements. Add AC2 for two aligning canopies - one mounted to outlet box, and one mounted to fixture.

8. **U.L. Listed** - For use in damp locations and approved for Through Branch Circuit Wiring. I.B.E.W. union made.

Canadian Specifications may vary from these shown, consult Canadian Division.



6

### CATALOG SYSTEM AND OPTIONS

EXAMPLE OF COMPLETE CATALOG NUMBER: **OM642PLTPC-CSFF-U**

OMEGA Aprt	Lamp (by others)	Product Family	Reflector Option	Reflector Finish*	Frame Options**	Supply Voltage
OM6	42 PLT - Triple Tube CFL	SC Surface Cylinder	BB Black Baffle	CSFF Clear Specular	EM Emergency	U 120/277
	32 PLT - Triple Tube CFL	WC Wall Cylinder		CSSFF Clear Semi-Specular	F1 Fusing 120V	3 347*
	26 PLT - Triple Tube CFL	PC Pendant Cylinder		HZFF Haze	F2 Fusing 277V	
	18 PLT - Triple Tube CFL			GSFF Champagne Gold Specular	F3 Fusing 347V	
	26 QPL - Quad Tube CFL			WTFF Wheat	D1 Dimming 120V	
	18 QPL - Quad Tube CFL			PWFF Pewter	D2 Dimming 240V	
	13 QPL - Quad Tube CFL				AC2 2 Aligning Canopies	

\*Consult factory for other reflector finishes.  
\*\*Consult factory for 13 QPL Dimming.  
\*\*\*Stem length is 22". Consult factory for other lengths.



FIVE YEAR  
Warranty

**OM642PLT-CS**

Photometric Data

**Clear Specular Reflector**

Report Number: F22417  
 Lamp: (1) CFM42W Triple  
 Total Lumens: 3200  
 Fixture Efficiency: = 53.9%  
 IES File: F22417.IES  
 S/MH Ratio = 1.2, 1.1  
 Beam Angle: 81.46

LIGHTING PERFORMANCE DATA		
CEILING HEIGHT* (FT.)	INITIAL FOOTCANDLES	BEAM DIAMETER (FT.-IN.)
8	34.1	9-6
10	18.3	12-11
12	11.4	16-4
14	7.8	19-10
16	5.7	23-3

DISTRIBUTION CURVE



DEGREES	CANDELA		FOOT-LAMBERTS
	AT 0°	AT 90°	
90	0	0	
85	0	0	0
75	0	0	0
65	15	19	2205
55	194	191	18398
45	410	405	31592
35	687	650	
25	896	891	
15	944	959	
5	1045	1001	
0	1032	1032	

COEFFICIENTS OF UTILIZATION ZONAL CAVITY METHOD

Effective Floor Cavity Reflectance 0.20

RC	80		70		50	
	50	30	50	30	50	30
0	64	64	63	63	59	59
1	58	56	57	56	55	54
2	53	51	52	50	51	48
3	48	45	47	45	46	44
4	44	40	44	40	41	39
5	40	36	40	35	39	35
6	36	33	36	33	35	33
7	34	29	34	29	33	29
8	32	28	30	28	30	27
9	28	25	28	25	28	25
10	27	23	27	23	26	23

**OM626QPL-CS**

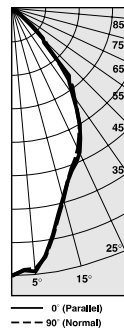
Photometric Data

**Clear Specular Reflector**

Report Number: 21474  
 Lamp: (1) CFQ26W  
 Total Lumens: 1800  
 Fixture Efficiency: = 53.5%  
 IES File: F21474.IES  
 S/MH Ratio = 0.8, .08  
 Beam Angle: 65.71

LIGHTING PERFORMANCE DATA		
CEILING HEIGHT* (FT.)	INITIAL FOOTCANDLES	BEAM DIAMETER (FT.-IN.)
8	32.1	7-1
10	17.6	9-8
12	10.7	12-3
14	7.3	14-10
16	5.3	17-5

DISTRIBUTION CURVE



DEGREES	CANDELA		FOOT-LAMBERTS
	AT 0°	AT 90°	
90	0	0	
85	0	0	0
75	0	0	0
65	1	1	38
55	21	15	502
45	159	159	3598
35	416	467	
25	592	606	
15	702	703	
5	959	953	
0	970	970	

COEFFICIENTS OF UTILIZATION ZONAL CAVITY METHOD

Effective Floor Cavity Reflectance 0.20

RC	80		70		50	
	50	30	50	30	50	30
0	64	64	61	61	58	58
1	58	57	57	56	56	55
2	54	52	53	51	52	50
3	50	46	50	46	47	46
4	46	42	46	42	45	41
5	42	40	42	40	41	39
6	40	36	40	35	39	35
7	36	34	36	34	35	33
8	34	30	34	30	34	30
9	33	28	32	28	32	28
10	30	27	29	27	29	27

6

\*Readings at working plane, 2'6" above floor. Beam Angle and Diameter Cutoff at 50% of max.  
 Candlpower Coefficients used at effective reflectances of: 70% Ceiling, 50% Walls, 20% Floor  
 Additional photometric test files are available @ [omegalighting.com](http://omegalighting.com)

To convert values for optional reflector colors, multiply by:  
 Gold .90      Bronze .82      Pewter .87