

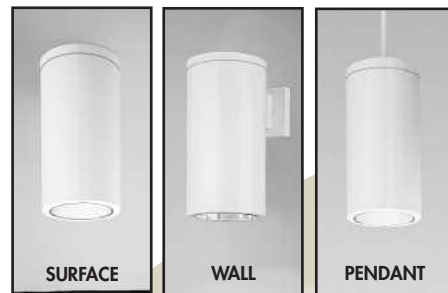
OM1057PLTPC

10" Open Cylinder

CAT NO:

TYPE:

PROJECT:



PRODUCT INFORMATION

Applications

Open reflector cylinder for use with long-life energy efficient compact fluorescent lamps. Provides uniform light distribution with excellent color rendition. Ideal for medium ceiling heights, and areas requiring long hours of continuous operation such as lobbies, corridors, reception areas and offices.

Specifications

1. **Ballast** - One (1) Type 1 Class P, high power factor universal voltage compact fluorescent ballast. Offers 1 lamp operation for 120 through 277 volt input voltage.

	26W 120V	26W 277V	32W 120V	32W 277V	42W 120V	42W 277V	57W 120V	57W 277V
Line current amps	.25	.11	.32	.14	.42	.18	.48	.21
Input watts including ballast loss	28	28	36	36	48	48	58	57
Ballast factor	.98+	.98+	1.00	1.00	.98+	.98+	1.00	1.00
Minimum starting temperature	0°F	0°F	0°F	0°F	0°F	0°F	0°F	0°F

2. **Housing** - Aluminum cylinder with cast aluminum top. Standard color is white baked polyester powder coat UV stabilized for exterior use and textured for aesthetic appeal.

3. **Installation** - Grounded circle strap provided for mounting to junction box (by others). Ballasts and wiring compartment are accessible from below fixture.

4. **Reflectors** - Precision spun .050 aluminum one piece reflector, self flanged with clear specular low iridescent Alzak finish. The reflector is screw mounted for positive attachment to the socket assembly. Polished flat flange matches reflector finish.

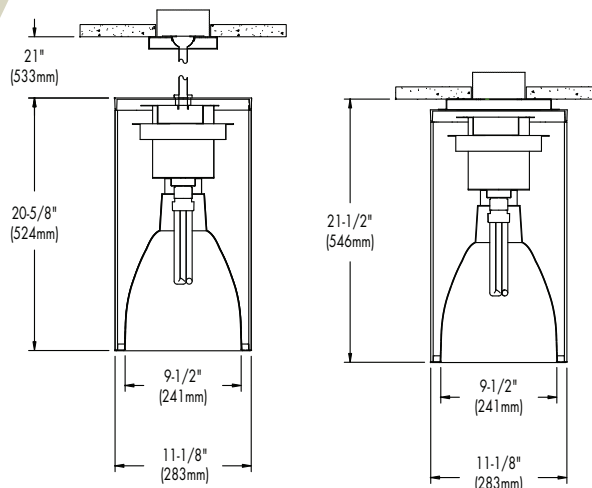
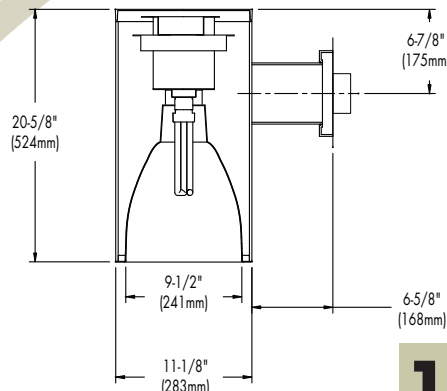
5. **Socket** - CFM57W/GX24q, CFM42W/GX24q, CFM32W/GX24q, CFM26W/GX24q, CFM18W/GX24q

6. **Optional remote emergency system** - Emergency system includes remote battery, electronic circuitry, charger, and test/monitor plate with test switch and charging indicator light. For further information see spec sheet 8-1.

7. **Aligning Canopy** - (Pendant only) Die cast aluminum free moving and self aligning outlet box cover. Attaches to 3-1/2" or 4" octagon outlet box (by others). Allows for up to 45° adjustability for use with sloped ceilings or seismic requirements. Add AC2 for two aligning canopies - one mounted to outlet box, and one mounted to fixture.

8. **U.L. Listed** - For use in damp locations. I.B.E.W. union made.

♣ Canadian Specifications may vary from these shown, consult Canadian Division.



10

CATALOG SYSTEM AND OPTIONS

EXAMPLE OF COMPLETE CATALOG NUMBER: **OM1057PLTPC-CSFF-U**

OMEGA Aprt	Lamp (by others)	Product Family	Reflector Option	Reflector Finish (Finish Flange)	Options	Supply Voltage
OM10						
	57 PLT - Triple Tube CFL	SC Surface Cylinder	BB Black Baffle	CSFF Clear Specular	EM Emergency	U 120/277
	42 PLT - Triple Tube CFL	WC Wall Cylinder		CSSFF Clear Semi-Specular	FZ120 Fusing	3 347 ♣
	32 PLT - Triple Tube CFL	PC Pendant Cylinder ¹		HZFF Haze	FZ277 Fusing	
	26 PLT - Triple Tube CFL			GSFF Gold Specular	FZ347 Fusing	
	18 PLT - Triple Tube CFL			WTFF Wheat	DL1 Dimming, Lutron Compact SE, 120v	
				PWFF Pewter	DL2 Dimming, Lutron Compact SE, 277v	
					DX1 Dimming, Advance Mark X, 120v	
					DX2 Dimming, Advance Mark X, 277v	



FIVE YEAR
Warranty

1. Stem length is 21". Consult factory for other lengths.

OM1057PLTND-CS

Photometric Data

Clear Specular Reflector

Report Number: 23495-1

Lamp: (1) CFM57W

Total Lumens: 4300

Fixture Efficiency: = 56.2%

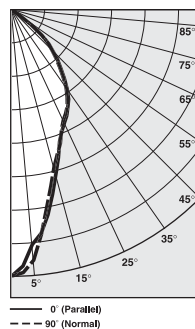
IES File: F234951.IES

S/MH Ratio = 0.6

Beam Angle 44.03

LIGHTING PERFORMANCE DATA		
CEILING HEIGHT* (FT.)	INITIAL FOOTCANDLES	BEAM DIAMETER (FT.-IN.)
8	86.5	4 - 5
10	46.5	6 - 1
12	29.0	7 - 8
14	19.8	9 - 4
16	14.4	10 - 11

DISTRIBUTION CURVE



DEGREES	CANDELA		FOOT-LAMBERTS
	AT 0°	AT 90°	
90	0	0	
85	1	1	66
75	3	3	67
65	8	7	102
55	55	110	119 1150
45	45	561	572 4615
35	35	932	949
25	25	1198	1224
15	15	1603	1674
5	5	2470	2315
0	0	2617	2617

COEFFICIENTS OF UTILIZATION ZONAL CAVITY METHOD

Effective Floor Cavity Reflectance 0.20

RC	80		70		50	
	50	30	50	30	50	30
RW						
0	67	67	65	65	61	61
1	59	58	58	57	56	56
2	54	52	53	51	52	50
3	48	46	47	46	46	45
4	44	40	44	40	42	40
5	40	38	40	36	39	36
6	36	34	36	34	35	34
7	34	30	34	30	33	30
8	30	28	30	28	30	28
9	28	27	28	27	28	26
10	27	25	27	25	27	25

10

*Readings at working plane, 2'6" above floor. Beam Angle and Diameter Cutoff at 50% of max. Candlpower Coefficients used at effective reflectances of: 70% Ceiling, 50% Walls, 20% Floor
Additional photometric test files are available @ omegalighting.com

To convert values for optional reflector colors, multiply by:
 Gold .90 Bronze .82 Pewter .87