

OM102H42PLTUPDNPC SPL

10" Splay Lens Reflector Hor. Up/Down Cylinder

CAT NO:

TYPE:

PROJECT:



PRODUCT INFORMATION

Applications

A soft edged, lensed cylinder for use with energy efficient compact fluorescent lamps. Provides broad, uniform light distribution while concealing lamp image and maintaining good visual cutoff. Ideal for areas such as lobbies, corridors, canopies, soffits, restaurants and offices.

Specifications

1. **Ballast** - Two (2) Type 1 Class P, high power factor universal voltage compact fluorescent ballast. Offers 2 lamp operation for 120 through 277 volt input voltage.

	(4) 26W 120V	26W 277V	(4) 32W 120V	32W 277V	(4) 42W 120V	42W 277V
Line current amps	.98	.42	1.16	.52	1.52	.64
Input watts including ballast loss	112	112	138	134	182	180
Ballast factor	.98+	.98+	1.00	1.00	.98	.98
Minimum starting temperature	0°F	0°F	0°F	0°F	0°F	0°F

2. **Housing** - Aluminum cylinder with cast aluminum top. Standard color is white baked polyester powder coat UV stabilized for exterior use and textured for aesthetic appeal.

3. **Installation** - Grounded circle strap provided for mounting to junction box (by others). Ballasts and wiring compartment are accessible from below fixture.

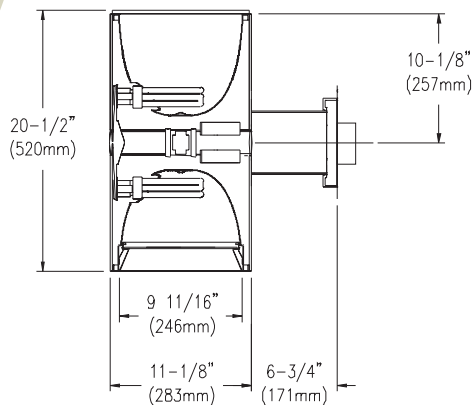
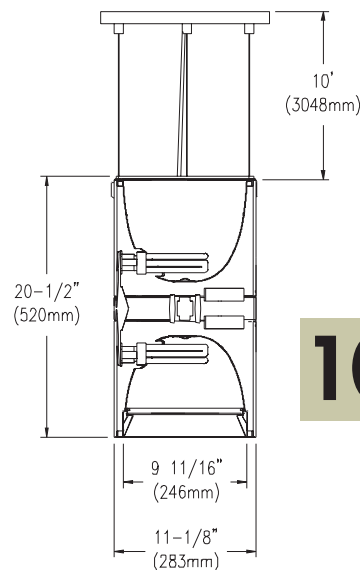
4. **Splay Trim** - Spun aluminum regressed splay trim with white powder paint finish. Torsion spring mounting for ease of installation. Flat fresnel and pris-matic lens for smooth, even distribution of light. Flat clear tempered lens for enclosed application.

5. **Socket** - CFM42W/GX24q, CFM32W/GX24q, CFM26W/GX24q

6. **Pendant** - Pendant mount features three stainless steel aircraft cables that are easily field adjustable to any length.

7. **U.L. Listed** - For use in damp locations. For wet locations add option "WL", surface and wall mount only. I.B.E.W. union made.

✦ Canadian Specifications may vary from these shown, consult Canadian Division.



10

CATALOG SYSTEM AND OPTIONS

EXAMPLE OF COMPLETE CATALOG NUMBER: **OM102H42PLTUPDNPC SPL-FL-U**

OMEGA	No. of Aprt Lamps	Lamp position	Lamp (by others)	Product Family	Reflector Option	Lens Option (Required)	Options	Supply Voltage
OM10	1	H	H - Horizontal	42 PLTUPDN - Triple Tube CFL	WC Wall Cylinder	SPL Splay Lens (white)	F1 Fusing	U 120/277
	2			32 PLTUPDN - Triple Tube CFL	PC Pendant Cylinder	CSSPL Clear Specular Splay	F2 Fusing	3 347✦
				26 PLTUPDN - Triple Tube CFL		BBSPL Black Baffle Splay	F3 Fusing	
						BKSPL Splay Lens (black)	WL Wet Location ¹	
							DL1 Dimming, Lutron Compact SE, 120v	
							DL2 Dimming, Lutron Compact SE, 277v	
							DX1 Dimming, Advance Mark X, 120v	
							DX2 Dimming, Advance Mark X, 277v	
							ALA Aluminum Paint	
							BK Black Paint	
							BZ Bronze Paint	



FIVE YEAR
Warranty

1. Wet location is available for wall mount only.

Note: Downlight data shown, upright has the same distribution.

OM102H42PLTSPL-FL Photometric Data

Fresnel Lens with White Regressed Splay

Report Number: 20728

Lamp: (2) CFM42W

Total Lumens: 6400

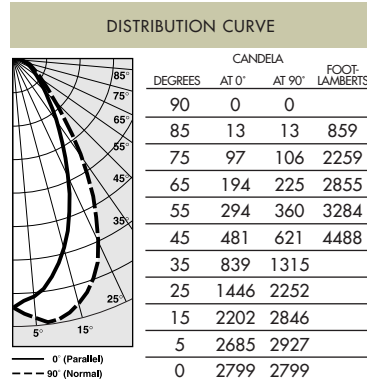
Fixture Efficiency: = 57.3%

IES File: F20728.IES

S/MH Ratio = 0.8,1.0

Beam Angle: 61.07

LIGHTING PERFORMANCE DATA		
CEILING HEIGHT* (FT.)	INITIAL FOOTCANDLES	BEAM DIAMETER (FT.-IN.)
8	92.5	6-6
10	49.8	8-10
12	31.0	11-2
14	21.2	13-7
16	15.4	15-11



COEFFICIENTS OF UTILIZATION ZONAL CAVITY METHOD

Effective Floor Cavity Reflectance 0.20

RC	80		70		50	
	50	30	50	30	50	30
0	68	68	67	67	64	64
1	64	59	60	58	57	56
2	56	53	55	52	53	51
3	51	46	50	46	42	46
4	46	42	46	41	45	40
5	42	39	41	38	40	38
6	40	34	39	34	38	34
7	36	33	35	32	34	32
8	34	29	34	29	33	29
9	32	28	32	28	30	28
10	29	26	29	26	28	26

10

*Readings at working plane, 2'6" above floor. Beam Angle and Diameter Cutoff at 50% of max. Candlpower Coefficients used at effective reflectances of: 70% Ceiling, 50% Walls, 20% Floor
Additional photometric test files are available @ omegalighting.com

To convert values for optional reflector colors, multiply by:
 Gold .90 Bronze .82 Pewter .87