

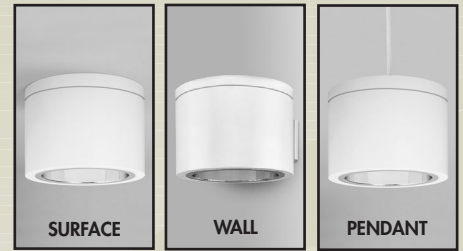
OM6 1H42PLTPC

6" Open Reflector Horizontal Cylinder

CAT NO:

TYPE:

PROJECT:



PRODUCT INFORMATION

Applications

Small aperture open reflector cylinder for use with long-life energy efficient compact fluorescent lamps. Provides medium, uniform light distribution with excellent color rendition. Ideal for areas requiring long hours of continuous operation such as lobbies, corridors, reception areas and offices.

Specifications

1. **Ballast** - One (1) Type 1 Class P, high power factor universal voltage electronic compact fluorescent ballast. Offers both 1 or 2 lamp operation for 120 through 277 volt input voltage.

	(2) 13W 120V	13W 277V	(1) 18W 120V	18W 277V	(1) 26W 120V	26W 277V	(1) 42W 120V	42W 277V
Line current amps	.27	.12	.19	.08	.25	.11	.42	.18
Input watts including ballast loss	32	32	22	22	28	28	48	48
Ballast factor	.98	.98	1.00	1.00	.98+	.98+	.98+	.98+
Minimum starting temperature	0°F	0°F	0°F	0°F	0°F	0°F	0°F	0°F

2. **Housing** - Aluminum cylinder with cast aluminum top and bottom ring on pendant and wall units.

3. **Installation** - Grounded circle strap provided for mounting to junction box (by others). Ballasts and wiring compartment are accessible from below fixture.

4. **Reflectors** - Precision spun .050 aluminum one piece reflector, self flanged with clear specular low iridescent finish. The reflector is screw mounted for positive attachment to the socket assembly. Polished flat flange matches reflector finish.

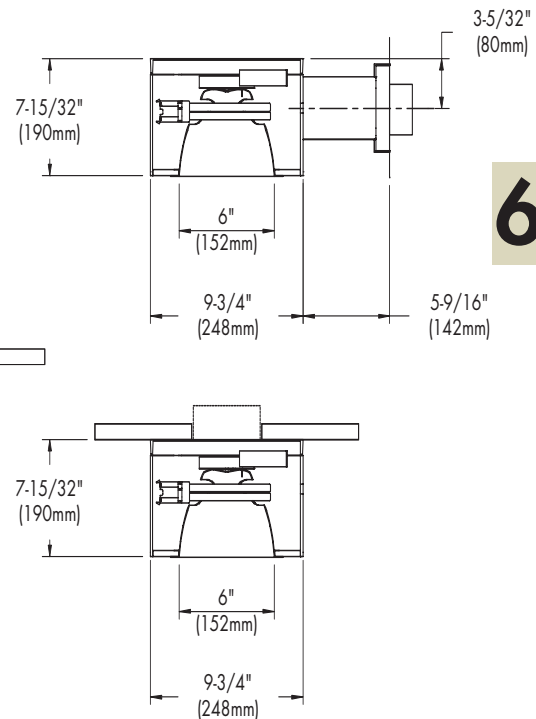
5. **Socket** - CFM42W/GX24q, CFM32W/GX24q, CFM26W/G24q, CFM18W/G24q, or CFQ26W/G24q, CFQ18W/G24q, CFQ13W/G24q

6. **Optional remote emergency system** - Emergency system includes remote battery, electronic circuitry, charger, and test/monitor plate with test switch and charging indicator light. For further information see spec sheet 8-1.

7. **Aligning Canopy** - Die cast aluminum free moving and self aligning outlet box cover. Attaches to 3 1/4" or 4" octagon outlet box (by others). Allows for up to 45° adjustability for use with sloped ceilings or seismic requirements. Add AC2 for two aligning canopies - one mounted to outlet box, and one mounted to fixture.

8. **U.L. Listed** - For use in damp locations and approved for Through Branch Circuit Wiring. I.B.E.W. union made.

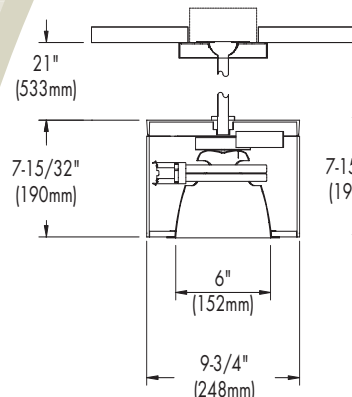
☛ Canadian Specifications may vary from these shown, consult Canadian Division.



3-5/32" (80mm)

6

5-9/16" (142mm)



CATALOG SYSTEM AND OPTIONS

EXAMPLE OF COMPLETE CATALOG NUMBER: **OM61H42PLTSC-CSFF-U**

OMEGA Aprt	No. of Lamps	Lamp position	Lamp (by others)	Product Family	Reflector Finish*	Frame Options***	Supply Voltage
OM6	1	H	42 PLT - Triple Tube CFL	SC Surface Cylinder	CSFF Clear Specular	EM Emergency	U 120/277
	2**	H - Horizontal	32 PLT - Triple Tube CFL	WC Wall Cylinder	CSSFF Clear Semi-Specular	F1 Fusing 120V	3 347 ☛
			26 PLT - Triple Tube CFL	PC Pendant	HZFF Haze	F2 Fusing 277V	
			18 PLT - Triple Tube CFL	Cylinder****	GSFF Champagne Gold Specular	F3 Fusing 347V	
			26 QPL - Quad Tube CFL		WTFF Wheat	D1 Dimming 120V	
			18 QPL - Quad Tube CFL		PWFF Pewter	D2 Dimming 240V	
			13 QPL - Quad Tube CFL			AC2 2 Aligning Canopies	



FIVE YEAR
Warranty

*Consult factory for other reflector finishes.
**2 lamp Configuration available for Quad Tube lamps only.
***Consult factory for 13 QPL Dimming.
****Stem length is 22". Consult factory for other lengths.

OM61H42PLT-CS

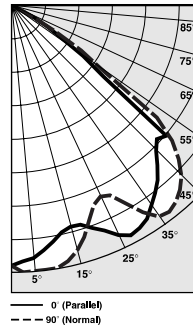
Photometric Data

Clear Specular Reflector

Report Number: 20716
 Lamp: (1)CFM42W
 Total Lumens: 3200
 Fixture Efficiency: = 53.9%
 IES File: F20716.IES
 S/MH Ratio = 1.4, 1.5
 Beam Angle: 106.85

LIGHTING PERFORMANCE DATA		
CEILING HEIGHT* (FT.)	INITIAL FOOTCANDLES	BEAM DIAMETER (FT.-IN.)
8	23.0	14-10
10	12.4	20-3
12	7.7	25-7
14	5.3	30-12
16	3.8	36-5

DISTRIBUTION CURVE



DEGREES	CANDELA		FOOT-LAMBERTS
	AT 0°	AT 90°	
90	0	0	
85	0	0	0
75	0	0	93
65	37	24	1155
55	235	292	7350
45	549	645	13509
35	654	690	
25	678	564	
15	613	680	
5	679	714	
0	697	697	

COEFFICIENTS OF UTILIZATION ZONAL CAVITY METHOD

Effective Floor Cavity Reflectance 0.20

RC	80			70			50		
	50	30	50	30	50	30	50	30	
RW	50	30	50	30	50	30	50	30	
0	64	64	63	63	59	59			
1	57	56	56	55	55	53			
2	54	48	51	48	48	46			
3	46	42	46	42	44	41			
4	41	38	40	36	40	36			
5	38	33	36	33	35	33			
6	34	29	34	28	33	28			
7	30	27	30	26	29	26			
8	28	23	28	23	27	23			
9	26	22	26	22	25	20			
10	23	20	23	20	23	20			

OM62H26QPL-CS

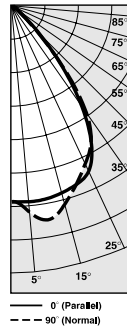
Photometric Data

Clear Specular Reflector

Report Number: L1808
 Lamp: (2) CFQ26W Quad Tube
 Total Lumens: 3600
 Fixture Efficiency: = 45.9%
 IES File: EY3685.IES
 S/MH Ratio = 1.2
 Beam Angle: 75.85

LIGHTING PERFORMANCE DATA		
CEILING HEIGHT* (FT.)	INITIAL FOOTCANDLES	BEAM DIAMETER (FT.-IN.)
8	39.9	8-6
10	21.4	11-8
12	13.4	14-9
14	9.1	17-11
16	6.6	21-0

DISTRIBUTION CURVE



DEGREES	CANDELA		FOOT-LAMBERTS
	AT 0°	AT 90°	
90	0	0	
85	0	0	0
75	0	0	0
65	2	3	87
55	15	9	429
45	222	196	5019
35	741	798	
25	1100	1030	
15	1152	1218	
5	1173	1254	
0	1165	1165	

COEFFICIENTS OF UTILIZATION ZONAL CAVITY METHOD

Effective Floor Cavity Reflectance 0.20

RC	80			70			50		
	50	30	50	30	50	30	50	30	
RW	50	30	50	30	50	30	50	30	
0	54	54	53	53	51	51			
1	50	49	50	48	48	47			
2	47	45	46	44	45	43			
3	44	41	43	41	42	40			
4	40	38	40	37	39	37			
5	38	35	37	34	36	34			
6	35	32	35	32	34	32			
7	33	30	32	29	32	29			
8	30	27	30	27	29	27			
9	28	25	27	24	27	24			
10	25	22	25	22	25	22			

6

*Readings at working plane, 2'6" above floor. Beam Angle and Diameter Cutoff at 50% of max. Candlpower Coefficients used at effective reflectances of: 70% Ceiling, 50% Walls, 20% Floor
 Additional photometric test files are available @ omegalighting.com

To convert values for optional reflector colors, multiply by:
 Gold .90 Bronze .82 Pewter .87