

OM6 1H42PLTXBSC

6" Parabolic Louvered Reflector Cylinder

CAT NO:

TYPE:

PROJECT:



PRODUCT INFORMATION

Applications

Parabolic louvered reflector cylinder for use with long-life energy efficient compact fluorescent lamps. Provides uniform light distribution with excellent color rendition. Ideal for medium ceiling heights, and areas requiring long hours of continuous operation such as lobbies, corridors, reception areas and offices.

Specifications

1. **Ballast** - One (1) Type 1 Class P, high power factor universal voltage electronic compact fluorescent ballast. Offers both 1 or 2 lamp operation for 120 through 277 volt input voltage.

	(2) 13W 120V	13W 277V	(1) 18W 120V	18W 277V	(1) 26W 120V	26W 277V	(1) 42W 120V	42W 277V
Line current amps	.27	.12	.19	.08	.25	.11	.42	.18
Input watts including ballast loss	32	32	22	22	28	28	48	48
Ballast factor	.98	.98	1.00	1.00	.98+	.98+	.98+	.98+
Minimum starting temperature	0°F	0°F	0°F	0°F	0°F	0°F	0°F	0°F

2. **Housing** - Precision spun aluminum with baked white enamel finish.

3. **Installation** - Grounded circle strap provided for mounting to junction box (by others). Ballasts and wiring compartment are accessible from below fixture.

4. **Reflectors** - Upper reflector provided with housing for maximum optical performance. Trim reflector is precision spun .051 aluminum, self flanged with clear Alzak low iridescent finish. Polished flat flange matches trim finish.

5. **Parabolic Louver** - Specular low iridescent or white painted aluminum secured to trim reflector, designed for excellent visual cutoff with maximum lumen output.

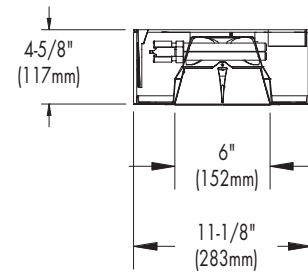
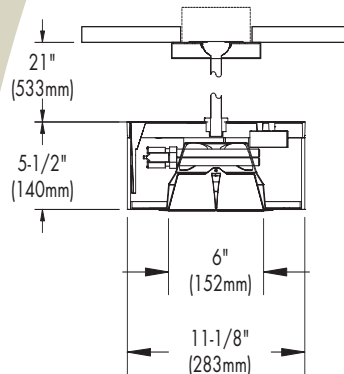
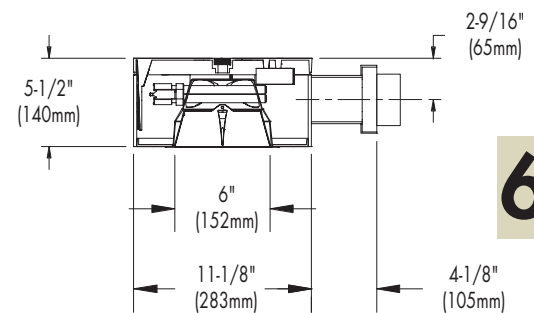
6. **Socket** - CFM42W/GX24q, CFM32W/GX24q, CFM26W/GX24q, CFM18W/GX24q, or CFQ26W/G24q, CFQ18W/G24q, CFQ13W/G24q

7. **Optional remote emergency system** - Emergency system includes remote battery, electronic circuitry, charger, and test/monitor plate with test switch and charging indicator light. For further information see spec sheet 8-1.

8. **Aligning Canopy** - Die cast aluminum free moving and self aligning outlet box cover. Attaches to 3 1/4" or 4" octagon outlet box (by others). Allows for up to 45° adjustability for use with sloped ceilings or seismic requirements. Add AC2 for two aligning canopies - one mounted to outlet box, and one mounted to fixture.

8. **U.L. Listed** - For use in damp locations and approved for Through Branch Circuit Wiring. I.B.E.W. union made.

Canadian Specifications may vary from these shown, consult Canadian Division.



CATALOG SYSTEM AND OPTIONS

EXAMPLE OF COMPLETE CATALOG NUMBER: **OM61H42PLTXBSC-CSFF-U**

OMEGA Aprt	No. of Lamps	Lamp position	Lamp (by others)	Product Family	Reflector Type	Reflector Finish*	Frame Options***	Supply Voltage
OM6	1	H	H - Horizontal	42 PLT - Triple Tube CFL	SC Surface Cylinder	CSFF Clear Specular	EM Emergency	U 120/277
	2**			32 PLT - Triple Tube CFL	WC Wall Cylinder	CSSFF Clear Semi-Specular	F1 Fusing 120V	3 347
				26 PLT - Triple Tube CFL	PC Pendant Cylinder**	HZFF Haze	F2 Fusing 277V	
				18 PLT - Triple Tube CFL		GSFF Champagne Gold Specular	F3 Fusing 347V	
				26 QPL - Quad Tube CFL		WTFW Wheat	D1 Dimming 120V	
				18 QPL - Quad Tube CFL		PWFF Pewter	D2 Dimming 240V	
				13 QPL - Quad Tube CFL			AC2 2 Aligning Canopies	



FIVE YEAR
Warranty

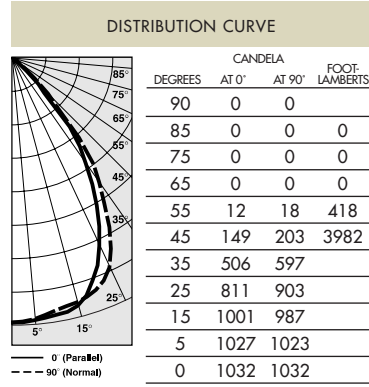
*Consult factory for other reflector finishes.
**2 lamp configuration available for Quad Tube lamps only.
***Consult factory for 13 QPL Dimming.
****Stem length is 22". Consult factory for other lengths.

OM61H42PLTXB-CS Photometric Data

Clear Specular Cross Baffle

Report Number: 20502
 Lamp: (1)CFM42W
 Total Lumens: 3200
 Fixture Efficiency: = 38.8%
 IES File: F20502.IES
 S/MH Ratio = 1.0, 1.1
 Beam Angle: 71.96

LIGHTING PERFORMANCE DATA		
CEILING HEIGHT* (FT.)	INITIAL FOOTCANDLES	BEAM DIAMETER (FT.-IN.)
8	34.1	7-12
10	18.3	10-11
12	11.4	13-10
14	7.8	16-8
16	5.7	19-7



COEFFICIENTS OF UTILIZATION ZONAL CAVITY METHOD

Effective Floor Cavity Reflectance 0.20

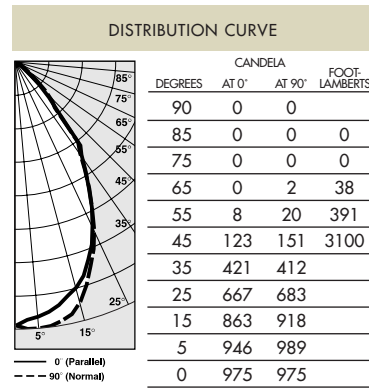
RC	80			70			50		
	50	30	50	30	50	30	50	30	
RW	50	30	50	30	50	30	50	30	
0	46	46	45	45	42	42			
1	42	41	41	40	40	40			
2	40	38	39	36	38	35			
3	36	34	35	34	34	33			
4	34	32	34	30	33	30			
5	32	28	30	28	29	28			
6	28	27	28	27	28	26			
7	27	25	27	25	27	23			
8	26	23	25	23	25	23			
9	23	20	23	20	23	20			
10	22	20	22	20	22	20			

OM62H26QPLXB-CS Photometric Data

Clear Specular Cross Baffle

Report Number: 20507
 Lamp: (2) CFQ26W
 Total Lumens: 3600
 Fixture Efficiency: = 28.3%
 IES File: F20507.IES
 S/MH Ratio = 0.9, 1.0
 Beam Angle: 64.19

LIGHTING PERFORMANCE DATA		
CEILING HEIGHT* (FT.)	INITIAL FOOTCANDLES	BEAM DIAMETER (FT.-IN.)
8	32.2	6-11
10	17.3	9-5
12	10.8	11-11
14	7.4	14-5
16	5.3	16-11



COEFFICIENTS OF UTILIZATION ZONAL CAVITY METHOD

Effective Floor Cavity Reflectance 0.20

RC	80			70			50		
	50	30	50	30	50	30	50	30	
RW	50	30	50	30	50	30	50	30	
0	34	34	33	33	30	30			
1	30	29	30	29	28	28			
2	28	28	28	27	27	27			
3	27	25	26	25	26	25			
4	25	23	25	23	23	23			
5	23	20	23	20	22	20			
6	22	20	20	20	20	19			
7	20	17	20	17	20	17			
8	19	17	19	17	17	17			
9	17	16	17	16	17	16			
10	17	14	17	14	16	14			

6

*Readings at working plane, 2'6" above floor. Beam Angle and Diameter Cutoff at 50% of max. Candlpower Coefficients used at effective reflectances of: 70% Ceiling, 50% Walls, 20% Floor
 Additional photometric test files are available @ omegalighting.com

To convert values for optional reflector colors, multiply by:
 Gold .90 Bronze .82 Pewter .87