

OM8200A23PCSPL

8" Incandescent Splay Lens Cylinder

CAT. NO: _____

TYPE: _____ **PROJECT:** _____

PRODUCT INFORMATION

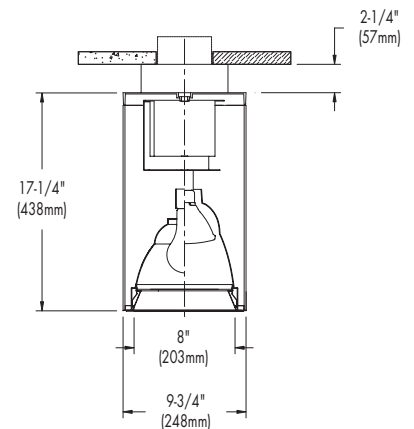
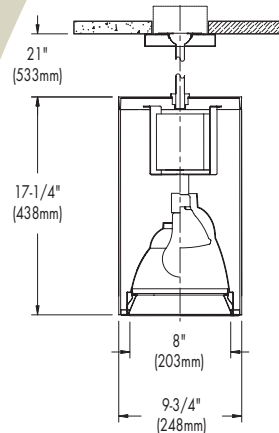
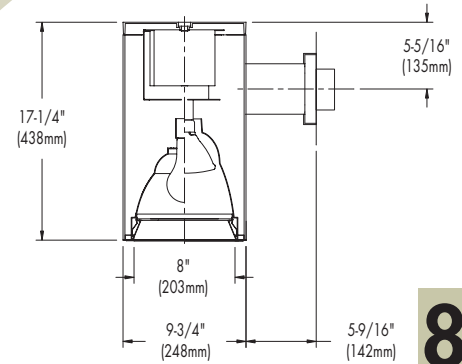
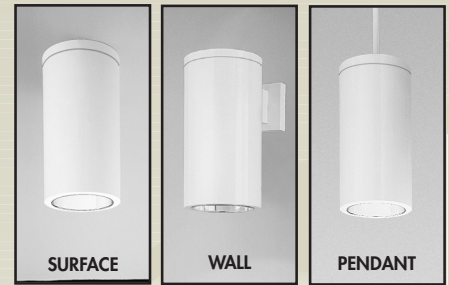
Applications

A soft edged, lensed downlight for use with economical A type incandescent lamps. Provides broad, uniform light distribution while concealing lamp image and maintaining good visual cutoff. Ideal for areas such as lobbies, corridors, canopies, soffits, restaurants and offices.

Specifications

- Housing** - Aluminum cylinder with cast aluminum top and bottom ring on pendant and wall units.
- Installation** - Top plate assembly mounts directly to outlet box (by others). Anchor holes are provided. Socket is mounted to top plate and is accessible for servicing by removal of screws secured to housing. Junction box with 3/8" IPS stud required.
- Splay Lens** - Spun aluminum regressed splay trim with white powder paint finish. Torsion spring mounting for ease of installation. Flat fresnel and prismatic lens for smooth, even distribution of light. Flat clear lens for enclosed applications.
- Aligning Canopy** - Die cast aluminum free moving and self aligning outlet box cover. Attaches to 3 1/4" or 4" octagon outlet box (by others). Allows for up to 45° adjustability for use with sloped ceilings or seismic requirements. Add AC2 for two aligning canopies - one mounted to outlet box, and one mounted to fixture.
- U.L. Listed** - Approved for Through Branch Circuit Wiring. I.B.E.W. union made.

✦ Canadian Specifications may vary from these shown, consult Canadian Division.



8

CATALOG SYSTEM AND OPTIONS

EXAMPLE OF COMPLETE CATALOG NUMBER: **OM8200A23PC-SPL-FL**

OMEGA Apr.	Lamp (by others)	Product Family	Reflector Type	Lens (required)	Option
OM8	200 A23 150 A21 250 PAR38 300PS25	SC Surface Cylinder WC Wall Cylinder PC Pendant Cylinder ¹	SPL Splay Lens (white) CSSPL Clear Semi-Specular BBSPL Black Baffle Splay BKSPL Splay Lens (black)	FL Fresnel Lens PL Prismatic Lens CL Clear Lens	WL ² Wet Location AC2 2 Aligning Canopies



FIVE YEAR
Warranty

- Stem length is 21". Consult factory for other lengths.
- Not available on pendant cylinder.

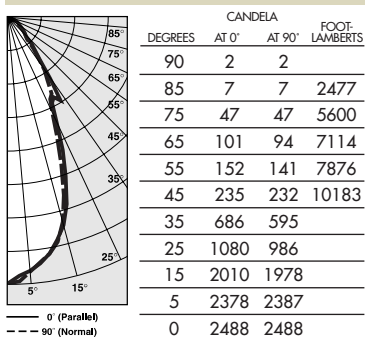
OM8200A23SPL-FL Photometric Data

Fresnel Lens with White Regressed Splay

Report Number: 20847
 Lamp: (1) 200W A23
 Total Lumens: 3800
 Fixture Efficiency: = 58.7%
 IES File: F20847.IES
 S/MH Ratio = 0.8, 0.7
 Beam Angle: 46.21

LIGHTING PERFORMANCE DATA		
CEILING HEIGHT* (FT.)	INITIAL FOOTCANDLES	BEAM DIAMETER (FT.-IN.)
8	52.2	4-8
10	44.2	6-5
12	27.6	8-1
14	18.8	9-10
16	13.7	11-6

DISTRIBUTION CURVE



COEFFICIENTS OF UTILIZATION ZONAL CAVITY METHOD

Effective Floor Cavity Reflectance 0.20

RC	Effective Floor Cavity Reflectance 0.20					
	80		70		50	
RW	50	30	50	30	50	30
0	69	69	68	68	65	65
1	64	61	63	60	59	58
2	57	56	56	55	55	53
3	54	50	53	50	51	48
4	50	46	48	45	47	45
5	46	41	45	41	44	40
6	42	39	41	39	40	38
7	40	35	40	35	39	35
8	38	34	36	34	36	33
9	34	32	34	30	34	30
10	33	29	33	29	33	28

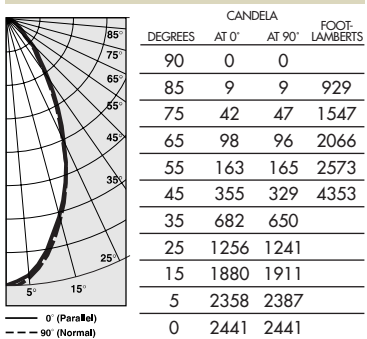
OM8200A23SPL-PL Photometric Data

Prismatic Lens with White Regressed Splay

Report Number: 20846
 Lamp: (1) 200W A23
 Total Lumens: 3800
 Fixture Efficiency: = 61.1%
 IES File: F20846.IES
 S/MH Ratio = 0.8, 0.8
 Beam Angle: 51.29

LIGHTING PERFORMANCE DATA		
CEILING HEIGHT* (FT.)	INITIAL FOOTCANDLES	BEAM DIAMETER (FT.-IN.)
8	80.7	5-3
10	43.4	7-2
12	27.0	9-1
14	18.5	11-1
16	13.4	12-12

DISTRIBUTION CURVE



COEFFICIENTS OF UTILIZATION ZONAL CAVITY METHOD

Effective Floor Cavity Reflectance 0.20

RC	Effective Floor Cavity Reflectance 0.20					
	80		70		50	
RW	50	30	50	30	50	30
0	72	72	70	70	68	68
1	66	65	65	63	63	60
2	60	57	59	56	57	55
3	56	52	55	51	53	50
4	51	46	51	46	48	46
5	46	42	46	42	46	41
6	44	40	44	40	42	39
7	40	36	40	36	40	35
8	38	34	38	34	36	34
9	35	32	35	32	34	32
10	34	29	34	29	33	29

8

*Readings at working plane, 2'6" above floor. Beam Angle and Diameter Cutoff at 50% of max. Candlepower Coefficients used at effective reflectances of: 70% Ceiling, 50% Walls, 20% Floor

To convert values for optional reflector colors, multiply by:
 Gold .90 Bronze .82 Pewter .87

Additional photometric test files are available @ omegalighting.com



OMEGA LIGHTING:
 776 South Green St., Tupelo, MS 38804
 Phone 662.842.7212 FAX 662.841.5501

CANADIAN DIVISION:
 189 Bullock Drive, Markham, Ontario, Canada L3P 1W4
 Phone 905.294.9570 FAX 800.268.0003