

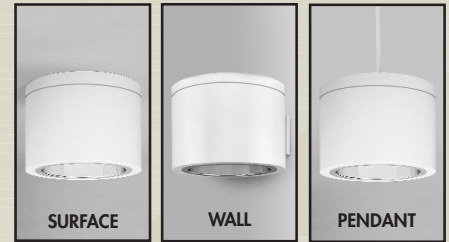
OM61H42PLTPCSPL

6" Splay Lens Reflector Horizontal Cylinder

CAT NO: _____

TYPE: _____

PROJECT: _____



PRODUCT INFORMATION

Applications

A soft edged, lensed cylinder for use with energy efficient compact fluorescent lamps. Provides broad, uniform light distribution while concealing lamp image and maintaining good visual cutoff. Ideal for areas such as lobbies, corridors, canopies, soffits, restaurants and offices.

Specifications

1. **Ballast** - One (1) Type 1 Class P, high power factor universal voltage electronic compact fluorescent ballast. Offers both 1 or 2 lamp operation for 120 through 277 volt input voltage.

	(2) 13W 120V 277V	13W 277V	(1) 18W 120V 277V	18W 277V	(1) 26W 120V 277V	26W 277V	(1) 42W 120V 277V	42W 277V
Line current amps	.27	.12	.19	.08	.25	.11	.42	.18
Input watts including ballast loss	32	32	22	22	28	28	48	48
Ballast factor	.98	.98	1.00	1.00	.98+	.98+	.98+	.98+
Minimum starting temperature	0°F	0°F	0°F	0°F	0°F	0°F	0°F	0°F

2. **Housing** - Aluminum cylinder with cast aluminum top and bottom ring on pendant and wall units.

3. **Installation** - Grounded circle strap provided for mounting to junction box (by others). Ballasts and wiring compartment are accessible from below fixture.

4. **Splay Trim** - Spun aluminum regressed splay trim with white powder paint finish. Torsion spring mounting for ease of installation. Flat fresnel and prismatic lens for smooth, even distribution of light. Flat clear lens for enclosed application.

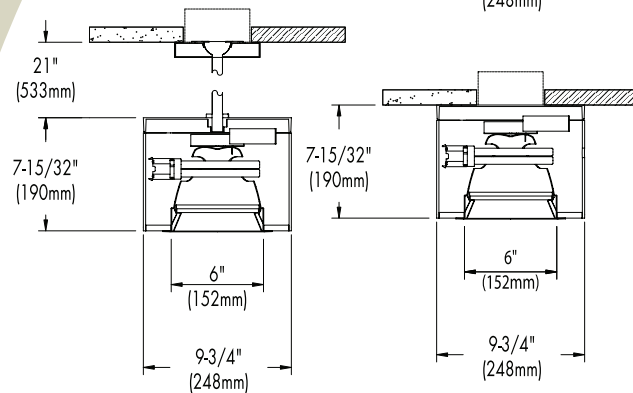
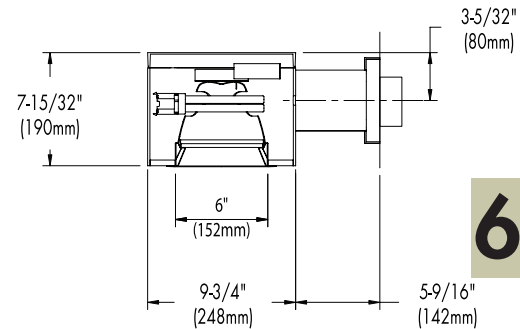
5. **Socket** - CFM42W/GX24q, CFM32W/GX24q, CFM26W/G24q, CFM18W/G24q, or CFQ26W/G24q, CFQ18W/G24q, CFQ13W/G24q

6. **Optional remote emergency system** - Emergency system includes remote battery, electronic circuitry, charger, and test/monitor plate with test switch and charging indicator light. For further information see spec sheet RV8-1.

7. **Aligning Canopy** - Die cast aluminum free moving and self aligning outlet box cover. Attaches to 3 1/4" or 4" octagon outlet box (by others). Allows for up to 45" adjustability for use with sloped ceilings or seismic requirements. Add AC2 for two aligning canopies - one mounted to outlet box, and one mounted to fixture.

8. **U.L. Listed** - Approved for Through Branch Circuit Wiring. I.B.E.W. union made.

Canadian Specifications may vary from these shown, consult Canadian Division.



6

CATALOG SYSTEM AND OPTIONS

EXAMPLE OF COMPLETE CATALOG NUMBER: **OM61H42PLTPCSPL-FL-U**

OMEGA Aprt	No. of Lamps	Lamp position	Lamp (by others)	Product Family	Reflector Option	Lens Option (Required)	Options ²	Supply Voltage
OM6	1	H						
	2 ¹	H - Horizontal	42 PLT - Triple Tube CFL 32 PLT - Triple Tube CFL 26 PLT - Triple Tube CFL 18 PLT - Triple Tube CFL 26 QPL - Quad Tube CFL 18 QPL - Quad Tube CFL 13 QPL - Quad Tube CFL	SC Surface Cylinder WC Wall Cylinder PC Pendant Cylinder ³	SPL Splay Lens (white) CSSPL Clear Specular Splay BBSPL Black Baffle Splay BKSPL Splay Lens (black)	FL Fresnel Lens PL Prismatic Lens CL Clear Lens	EM Emergency F1 Fusing 120V F2 Fusing 277V F3 Fusing 347V D1 Dimming 120V D2 Dimming 277V WL Wet Location ⁴ AC2 2 Aligning Canopies	U 120/277 3 347 ⁴



FIVE YEAR
Warranty

- 2 lamp configuration available for Quad Tube lamps only.
- Consult factory for 13 QPL Dimming.
- Stem length is 21". Consult factory for other lengths.
- Not available on pendant cylinders.

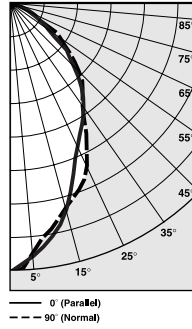
OM61H42PLTSPL-FL Photometric Data

Fresnel Lens with White Regressed Splay

Report Number: 20687
 Lamp: (1) CFM42W
 Total Lumens: 3200
 Fixture Efficiency: = 38.8%
 IES File: F20687.IES
 S/MH Ratio = 0.8, 0.9
 Beam Angle: 65.46

LIGHTING PERFORMANCE DATA		
CEILING HEIGHT* (FT.)	INITIAL FOOTCANDLES	BEAM DIAMETER (FT.-IN.)
8	28.4	7-1
10	15.3	9-3
12	9.5	12-3
14	6.5	14-9
16	4.7	17-4

DISTRIBUTION CURVE



DEGREES	CANDELA		FOOT-LAMBERTS
	AT 0°	AT 90°	
90	0	2	
85	5	5	918
75	21	25	1422
65	67	78	2745
55	145	191	4686
45	282	305	6641
35	403	397	
25	503	573	
15	682	676	
5	812	800	
0	858	858	

COEFFICIENTS OF UTILIZATION ZONAL CAVITY METHOD

Effective Floor Cavity Reflectance 0.20

RC	80		70		50	
	50	30	50	30	50	30
RW						
0	46	46	45	45	42	42
1	41	40	40	40	39	38
2	36	34	36	34	34	34
3	34	30	33	30	32	29
4	30	28	29	27	28	27
5	28	25	27	25	27	23
6	25	22	25	22	23	22
7	23	20	23	20	22	20
8	22	19	20	17	20	17
9	20	17	20	17	19	17
10	19	16	17	16	17	16

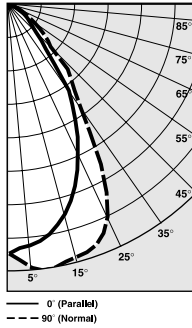
OM62H26QPLSPL-FL Photometric Data

Fresnel Lens with White Regressed Splay

Report Number: 20722
 Lamp: (2) CFQ26W
 Total Lumens: 3600
 Fixture Efficiency: = 28.9%
 IES File: F20722.IES
 S/MH Ratio = 0.9, 1.1
 Beam Angle: 68.61

LIGHTING PERFORMANCE DATA		
CEILING HEIGHT* (FT.)	INITIAL FOOTCANDLES	BEAM DIAMETER (FT.-IN.)
8	24.8	7-6
10	13.4	10-3
12	8.3	12-12
14	5.7	15-8
16	4.1	18-5

DISTRIBUTION CURVE



DEGREES	CANDELA		FOOT-LAMBERTS
	AT 0°	AT 90°	
90	0	1	
85	3	3	551
75	16	15	958
65	37	44	1533
55	67	97	2287
45	114	177	3292
35	315	376	
25	491	705	
15	653	788	
5	729	797	
0	751	751	

COEFFICIENTS OF UTILIZATION ZONAL CAVITY METHOD

Effective Floor Cavity Reflectance 0.20

RC	80		70		50	
	50	30	50	30	50	30
RW						
0	34	34	34	34	32	32
1	30	29	30	29	29	28
2	28	27	28	27	27	26
3	26	23	26	23	25	23
4	23	22	23	22	23	20
5	22	20	22	20	20	20
6	20	17	20	17	20	17
7	19	17	19	17	17	17
8	17	16	17	14	17	14
9	16	14	16	14	16	14
10	14	13	14	13	14	13

6

*Readings at working plane, 2'6" above floor. Beam Angle and Diameter Cutoff at 50% of max. Candlpower Coefficients used at effective reflectances of: 70% Ceiling, 50% Walls, 20% Floor
 Additional photometric test files are available @ omegalighting.com

To convert values for optional reflector colors, multiply by:
 Gold .90 Bronze .82 Pewter .87