

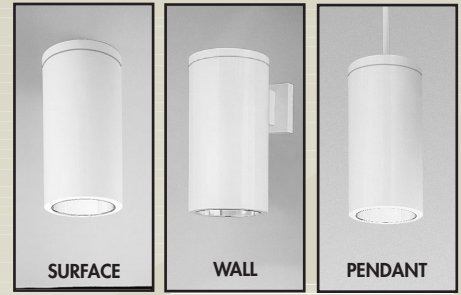
OM10500PAR56PC

10" Incandescent PAR-Lamp Cylinder

CAT. NO:

TYPE:

PROJECT:



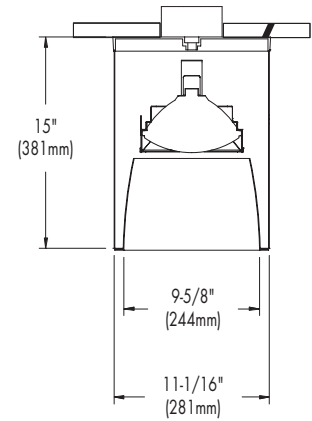
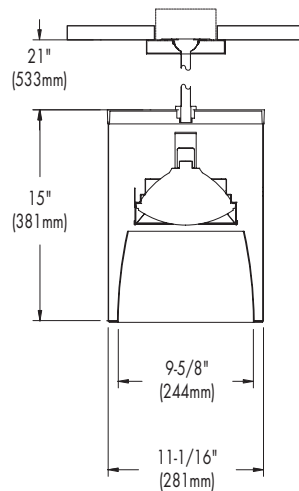
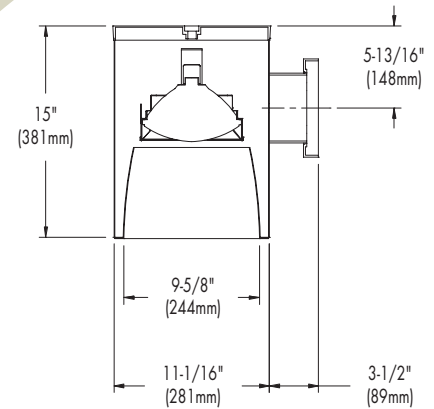
PRODUCT INFORMATION

Applications

Low brightness cylinder suitable for general or accent lighting in higher ceiling heights requiring brighter illumination levels. Ideal for areas such as auditoriums, schools, churches, restaurants, hotels, offices and retail applications.

Specifications

- Housing** - Aluminum cylinder with cast aluminum top and bottom ring on pendant and wall units.
 - Installation** - Mounting pan has pre-installed C-channel with vertical and horizontal adjustments. Yoke adjusts for proper positioning of lamp within reflector. Junction box and mounting brackets are accessible from below ceiling.
 - Reflectors** - Precision spun .050 aluminum one piece reflector, self flanged with clear specular low iridescent finish. The reflector is screw mounted for positive attachment to the socket assembly. Polished flange matches reflector finish.
 - Baffle** - Precision machined .051 aluminum with deep grooves to eliminate aperture glare, anodized matte black or matte white finish. Standard flange is painted black.
 - Aligning Canopy** - Die cast aluminum free moving and self aligning outlet box cover. Attaches to 3 1/4" or 4" octagon outlet box (by others). Allows for up to 45° adjustability for use with sloped ceilings or seismic requirements. Add AC2 for two aligning canopies - one mounted to outlet box, and one mounted to fixture.
 - U.L. Listed** - For use in damp locations and approved for Through Branch Circuit Wiring. I.B.E.W. union made.
- ♣ Canadian Specifications may vary from these shown, consult Canadian Division.



10

CATALOG SYSTEM AND OPTIONS

EXAMPLE OF COMPLETE CATALOG NUMBER: **OM10500PAR56PC-CSFF**

OMEGA Apr.	Lamp (by others)	Product Family	Reflector Option	Reflector Finish*	Frame Option
OM10	500 PAR56 300 PAR56	SC Surface Cylinder WC Wall Cylinder PC Pendant Cylinder**	BB Black Baffle	CSFF Clear Specular CSSFF Clear Semi-Specular HZFF Haze GSFF Champagne Gold Specular PWFF Pewter	AC2 2 Aligning Canopies



FIVE YEAR
Warranty

*Consult factory for other finishes.

**Stem length is 22". Consult factory for other lengths.

Consult factory for photometrics.

10

*Readings at working plane, 2'6" above floor. Beam Angle and Diameter Cutoff at 50% of max.
Candlepower Coefficients used at effective reflectances of: 70% Ceiling, 50% Walls, 20% Floor

To convert values for optional reflector colors, multiply by:
Gold .90 Bronze .82 Pewter .87

Additional photometric test files are available @ omegalighting.com