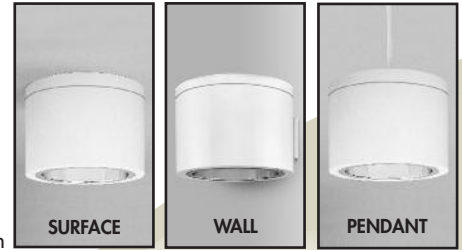


OM10H250E28MHPC SPL

10" Horizontal Lamp Splay Lens Cylinder

CAT. NO:

TYPE: PROJECT:



PRODUCT INFORMATION

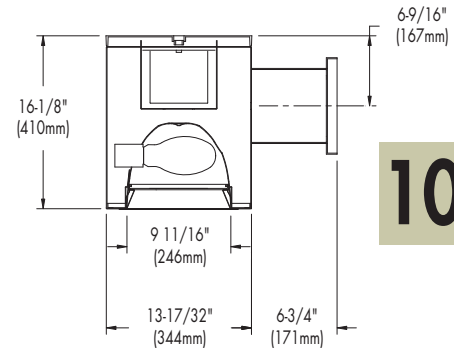
Applications

A low brightness cylinder for use with efficient metal halide lamps. Provides broad, uniform light distribution for general illumination above and below the fixture.

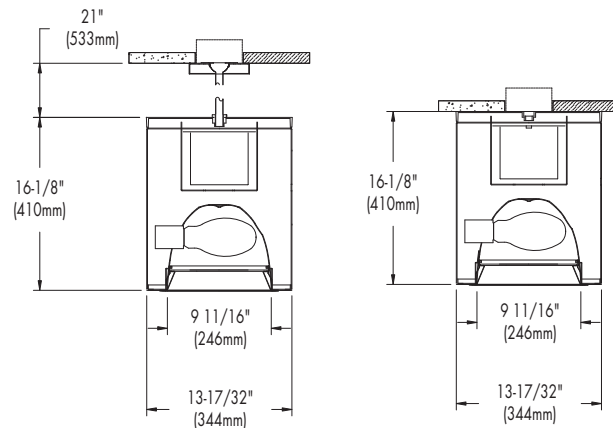
Specifications

- Housing** - Aluminum cylinder with cast aluminum top and bottom ring on pendant and wall units.
- Installation** - Top plate assembly mounts directly to outlet box. Anchor holes are provided. Socket and ballast are mounted to top plate and are accessible for servicing by removal of screws secured to housing. Junction box with 3/8" IPS stud required.
- Splay Trim** - Spun aluminum regressed splay trim with white powder paint finish. Torsion spring mounting for ease of installation. Flat fresnel and prismatic lens for smooth, even distribution of light. Flat clear lens for enclosed applications.
- Ballast** - Encased and potted, core and coil, high power factor, constant wattage auto transformer, with a minimum starting temperature of -20°F. Standard ballast is 120/277 dual tap, 60 hertz. For remote operation, voltages other than 120 or 277 or 50 HZ operation, consult factory.
- Socket** - Mogul base 600V porcelain socket with nickel-plated copper screw shell and 200°C wire.
- Optional Fusing** - Add FZ120 for 120 volt, FZ277 for 277 volt or FZ347 for 347 volt.
- Aligning Canopy** - Die cast aluminum free moving and self aligning outlet box cover. Attaches to 3 1/4" or 4" octagon outlet box (by others). Allows for up to 45° adjustability for use with sloped ceilings or seismic requirements. Add AC2 for two aligning canopies - one mounted to outlet box, and one mounted to fixture.
- U.L. Listed** - For use in wet location/covered ceiling, for wet locations without ceiling, add option "WL". Approved for Through Branch Circuit Wiring. I.B.E.W. union made.

Canadian Specifications may vary from these shown, consult Canadian Division.



10



CATALOG SYSTEM AND OPTIONS

EXAMPLE OF COMPLETE CATALOG NUMBER: **OM10H250E28PCSPL-FL-U**

OMEGA Aprt	Lamp Position	Lamp (by others)	Lamp Type	Product Family	Reflector Type	Lens (required)	Frame Options	Supply Voltage
OM10	H	150ED17 250 E28	MH Metal Halide	SC Surface Cylinder WC Wall Cylinder PC Pendant Cylinder*	SPL Splay Lens (white) CSSPL Clear Semi-Specular BBSPL Black Baffle Splay BKSPL Splay Lens (black)	FL Fresnel Lens PL Prismatic Lens CL Clear Lens	FZ120 Fusing FZ277 Fusing FZ347 Fusing WL Wet Location AC2 2 Aligning Canopies	U 120/277 3 347



FIVE YEAR
Warranty

*Stem length is 22". Consult factory for other lengths.

OM101H250E28MHSPL-FL Photometric Data

Fresnel Lens with White Regressed Splay

Report Number: 22385

Lamp: 250W MH

Total Lumens: 19,475

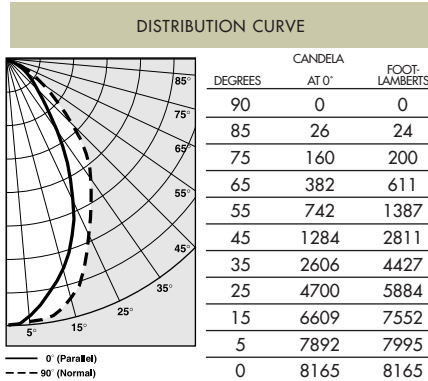
Fixture Efficiency: = 54.7%

IES File: F22835.IES

S/MH Ratio = 0.8, 1.0

Beam Angle: 64.90

LIGHTING PERFORMANCE DATA		
CEILING HEIGHT (FT.)	INITIAL FOOTCANDLES	BEAM DIAMETER (FT.-IN.)
8	269.9	6-12
10	145.2	9-6
12	90.5	12-1
14	61.7	14-7
16	44.8	17-2



COEFFICIENTS OF UTILIZATION ZONAL CAVITY METHOD

Effective Floor Cavity Reflectance 0.20

RC	80		70		50	
	50	30	50	30	50	30
0	65	65	64	64	61	61
1	59	58	58	56	56	55
2	54	51	53	50	51	49
3	49	45	48	45	46	44
4	45	41	44	40	43	40
5	41	37	40	37	39	36
6	38	34	37	33	36	33
7	35	31	34	31	34	30
8	32	28	32	28	31	28
9	30	26	30	26	29	26
10	28	24	28	24	27	24

10

*Readings at working plane, 2'6" above floor. Beam Angle and Diameter Cutoff at 50% of max. Candlepower Coefficients used at effective reflectances of: 70% Ceiling, 50% Walls, 20% Floor

To convert values for optional reflector colors, multiply by:
Gold .90 Bronze .82 Pewter .87

Additional photometric test files are available @ omegalighting.com



OMEGA LIGHTING:
776 South Green St., Tupelo, MS 38804
Phone 662.842.7212 FAX 662.841.5501

CANADIAN DIVISION:
189 Bullock Drive, Markham, Ontario, Canada L3P 1W4
Phone 905.294.9570 FAX 800.268.0003