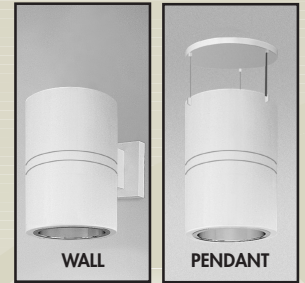


OM61H42PLTUPDNPC

6" Open Reflector Horizontal Up/Down Cylinder

CAT NO:

TYPE: **PROJECT:**



PRODUCT INFORMATION

Applications

Open up/down cylinder for use with long-life energy efficient compact fluorescent lamps. Provides uniform light distribution with excellent color rendition. Ideal for medium ceiling heights, and areas requiring long hours of continuous operation such as lobbies, corridors, reception areas and offices.

Specifications

1. **Ballast** - One (1) or Two (2) Type 1 Class P, high power factor universal voltage compact fluorescent ballast. Offers 2 lamp operation for 120 through 277 volt input voltage.

	(2) 18W 120V 277V	(2) 26W 120V 277V	(2) 32W 32W 120V 277V	(2) 42W 42W 120V 277V
Line current amps	.34 .15	.49 .21	.58 .26	.76 .32
Input watts including ballast loss	40 40	56 56	69 67	91 90
Ballast factor	.98+ .98+	.98+ .98+	1.00 1.00	.98 .98
Minimum starting temperature	0°F 0°F	0°F 0°F	0°F 0°F	0°F 0°F

2. **Housing** - Aluminum cylinder with cast aluminum top and bottom ring.

3. **Installation** - Grounded circle strap provided for mounting to junction box (by others). Ballasts and wiring compartment are accessible from below fixture.

4. **Reflectors** - Precision spun .050 aluminum one piece reflector, self flanged with clear specular low iridescent finish. The reflector is screw mounted for positive attachment to the socket assembly. Polished flat flange matches reflector finish.

5. **Socket** - CFM42W/GX24q, CFM32W/GX24q, CFM26W/GX24q, CFQ26W/G24q, CFQ18W/G24q

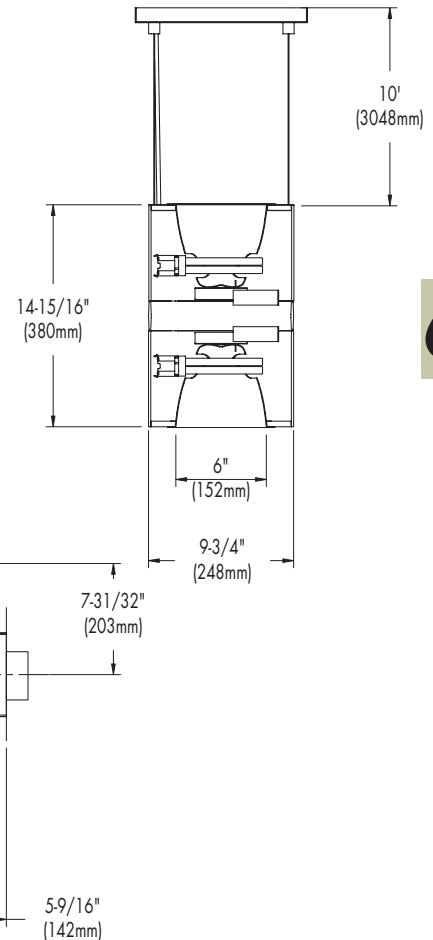
6. **Wire Guard** - Wire mesh protects the upper reflector against objects that might interfere with performance or cause unsafe conditions.

7. **Optional remote emergency system** - Emergency system includes remote battery, electronic circuitry, charger, and test/monitor plate with test switch and charging indicator light. For further information see spec sheet RV8-1.

8. **Pendant** - Pendant mount features three stainless steel aircraft cables that are easily field adjustable to any length.

9. **U.L. Listed** - For use in damp locations and approved for Through Branch Circuit Wiring. I.B.E.W. union made.

✦ Canadian Specifications may vary from these shown, consult Canadian Division.



6

CATALOG SYSTEM AND OPTIONS

EXAMPLE OF COMPLETE CATALOG NUMBER: **OM61H42PLTUPDNPC-CSFF-U**

OMEGA Aprt	No. of Lamps	Lamp position	Lamp (by others)	Product Family	Reflector Finish ¹	Options	Supply Voltage
OM6	1	H	42 PLTUPDN - Triple Tube CFL	WC Wall Cylinder	CSFF Clear Specular	EM Emergency ³	U 120/277
	2 ²	H - Horizontal	32 PLTUPDN - Triple Tube CFL	PC Pendant Cylinder	CSSFF Clear Semi-Specular	F1 Fusing 120V	3 347 ✦
			26 PLTUPDN - Triple Tube CFL		HZFF Haze	F2 Fusing 277V	
			26 QLUPDN - Quad Tube CFL		GSFF Gold Specular	F3 Fusing 347V	
			18 QLUPDN - Quad Tube CFL		WTFF Wheat	D1 Dimming 120V	
					PWFF Pewter	D2 Dimming 277V	



FIVE YEAR
Warranty

1. Consult factory for other reflector finishes.
2. 2 lamp configuration available for Quad Tube lamps only.
3. Emergency not available on pendant cylinders.

Note: Downlight data shown, uplight has the same distribution.

OM61H42PLT-CS

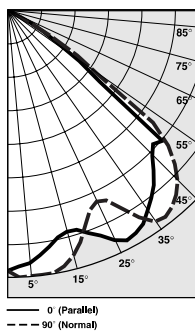
Photometric Data

Clear Specular Reflector

Report Number: 20716
 Lamp: (1)CFM42W
 Total Lumens: 3200
 Fixture Efficiency: = 53.9%
 IES File: F20716.IES
 S/MH Ratio = 1.4, 1.5
 Beam Angle: 106.85

LIGHTING PERFORMANCE DATA		
CEILING HEIGHT* (FT.)	INITIAL FOOTCANDLES	BEAM DIAMETER (FT.-IN.)
8	23.0	14-10
10	12.4	20-3
12	7.7	25-7
14	5.3	30-12
16	3.8	36-5

DISTRIBUTION CURVE



DEGREES	CANDELA		FOOT-LAMBERTS
	AT 0°	AT 90°	
90	0	0	
85	0	0	0
75	0	0	93
65	37	24	1155
55	235	292	7350
45	549	645	13509
35	654	690	
25	678	564	
15	613	680	
5	679	714	
0	697	697	

COEFFICIENTS OF UTILIZATION ZONAL CAVITY METHOD

Effective Floor Cavity Reflectance 0.20

RC	Effective Floor Cavity Reflectance 0.20					
	80		70		50	
RW	50	30	50	30	50	30
0	64	64	63	63	59	59
1	57	56	56	55	55	53
2	54	48	51	48	48	46
3	46	42	46	42	44	41
4	41	38	40	36	40	36
5	38	33	36	33	35	33
6	34	29	34	28	33	28
7	30	27	30	26	29	26
8	28	23	28	23	27	23
9	26	22	26	22	25	20
10	23	20	23	20	23	20

OM62H26QPL-CS

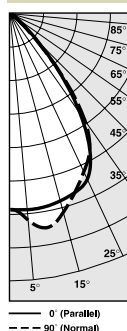
Photometric Data

Clear Specular Reflector

Report Number: L1808
 Lamp: (2) CFQ26W
 Quad Tube
 Total Lumens: 3600
 Fixture Efficiency: = 45.9%
 IES File: EY3685.IES
 S/MH Ratio = 1.2
 Beam Angle: 75.85

LIGHTING PERFORMANCE DATA		
CEILING HEIGHT* (FT.)	INITIAL FOOTCANDLES	BEAM DIAMETER (FT.-IN.)
8	39.9	8-6
10	21.4	11-8
12	13.4	14-9
14	9.1	17-11
16	6.6	21-0

DISTRIBUTION CURVE



DEGREES	CANDELA		FOOT-LAMBERTS
	AT 0°	AT 90°	
90	0	0	
85	0	0	0
75	0	0	0
65	2	3	87
55	15	9	429
45	222	196	5019
35	741	798	
25	1100	1030	
15	1152	1218	
5	1173	1254	
0	1165	1165	

COEFFICIENTS OF UTILIZATION ZONAL CAVITY METHOD

Effective Floor Cavity Reflectance 0.20

RC	Effective Floor Cavity Reflectance 0.20					
	80		70		50	
RW	50	30	50	30	50	30
0	54	54	53	53	51	51
1	50	49	50	48	48	47
2	47	45	46	44	45	43
3	44	41	43	41	42	40
4	40	38	40	37	39	37
5	38	35	37	34	36	34
6	35	32	35	32	34	32
7	33	30	32	29	32	29
8	30	27	30	27	29	27
9	28	25	27	24	27	24
10	25	22	25	22	25	22

6

*Readings at working plane, 2'6" above floor. Beam Angle and Diameter Cutoff at 50% of max.
 Candlpower Coefficients used at effective reflectances of: 70% Ceiling, 50% Walls, 20% Floor
Additional photometric test files are available @ omegalighting.com

To convert values for optional reflector colors, multiply by:
 Gold .90 Bronze .82 Pewter .87