

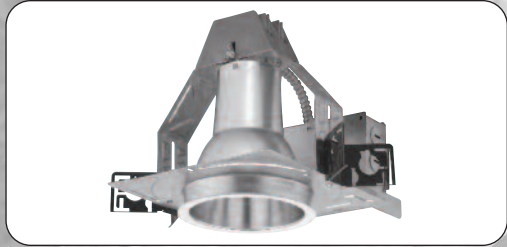
S426PLT

4" Open Reflector Downlights

CAT. NO:

TYPE:

PROJECT:



4

PRODUCT INFORMATION

Applications

Small aperture open reflector downlight for use with long-life energy efficient compact fluorescent lamps. Provides uniform light distribution with excellent color rendition. Ideal for lower ceilings and areas requiring long hours of continuous operation such as lobbies, corridors, reception areas and offices.

Specifications

1. **Ballast** - One (1) Type 1 Class P, high power factor universal voltage electronic compact fluorescent ballast. Offers 1 lamp operation for 120 through 277 volt input voltage.

	13W 13W 120V 277V	18W 18W 120V 277V	26W 26W 120V 277V
Line current amps	.15 .07	.19 .08	.25 .11
Input watts including ballast loss	18 18	22 22	28 28
Ballast factor	1.00 1.00	1.00 1.00	1.02 1.02
Minimum starting temperature	0°F 0°F	0°F 0°F	0°F 0°F

2. **Mounting pan** - Precision die-stamped 20 gauge bonderized steel mounting pan and yoke assembly.

3. **Installation** - Mounting pan has pre-installed universal mounting brackets with vertical adjustment. Junction box and mounting brackets are accessible from below ceiling. For 26" C-channel hanger bars, specify Q1032 accessory, ordered separately. For 27" flat bar hangers, specify Q1031 accessory, ordered separately. For 24" adjustable bar hangers, specify Q1033 accessory, ordered separately.

4. **Reflector** - Precision spun .051 aluminum two piece reflector, self flanged with clear specular Alzak low iridescent finish. Reflector is screw mounted for positive attachment to socket assembly. Standard flat flange is painted white. Optional polished flange matching reflector finish available, add FF to catalog number.

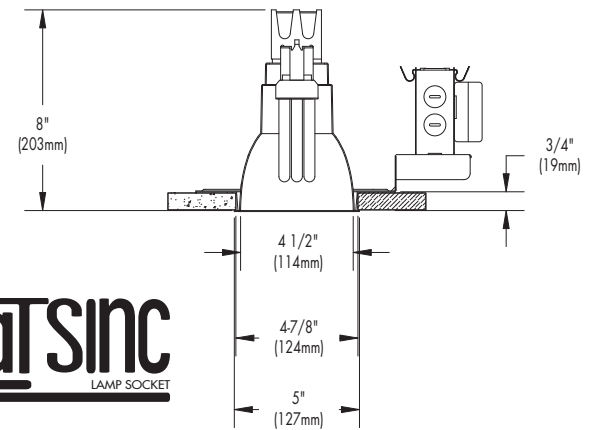
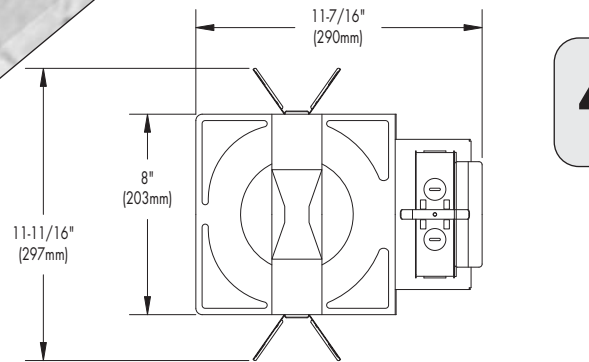
5. **Socket** - CFM26W/GX24q, CFM18W/GX24q, CFQ13W/G24q

6. **Junction box** - Large 32-cubic inch 16 gauge galvanized steel with snap-on covers. Approved for through wiring with up to 8 #12 AWG conductors.

7. **Optional emergency system** - Emergency system includes battery, electronic circuitry, charger and test/monitor plate with test switch and charging indicator light. Test/monitor plate may be installed in the ceiling near fixture or other remote location. Operates appropriate lamp wattage for a minimum of 90 minutes following power failure. Battery is recharged automatically following restoration of power. Emergency system complies with NFPA life safety code, OSHA and NEC. Suitable for dry locations.

8. **U.L. Listed** - For use in damp locations only and approved for Through Branch Circuit Wiring. I.B.E.W. union made.

☛ Canadian Specifications may vary from these shown, consult Canadian Division.



CATALOG SYSTEM AND OPTIONS

EXAMPLE OF COMPLETE CATALOG NUMBER: **S426PLTU-T4CS**

Spex Aperture	Lamp (by others)	Options	Supply Voltage	Reflector Series/Size	Reflector Finish
S4	26PLT 18PLT 13QPL	F1 Fuse 120v F2 Fuse 277v F3 Fuse 348v EM Emergency DL1 Dimming, Lutron Compact SE, 120v DL2 Dimming, Lutron Compact SE, 277v DX1 Dimming, Advance Mark X, 120v DX2 Dimming, Advance Mark X, 277v	U Universal Voltage 120 through 277 50 & 60 Hz S3 347V	T4	CS Clear Specular CSS Clear Semi-Specular HZ Haze GS Gold Specular WT Wheat PW Pewter BK Black BZ Bronze WH White FF Finish Flange (as suffix to color)



OMEGA LIGHTING: 776 South Green St., Tupelo, MS 38804 Phone 662.842.7212 FAX 662.841.5501

S426PLT-CS

Photometric Data

Clear Specular Reflector

Report Number: 24532

Lamp: (1)CFT26W

Total Lumens: 1800

Fixture Efficiency: = 75.9%

IES File: F24532.IES

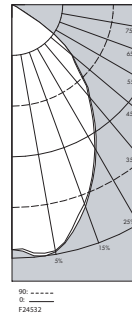
S/MH Ratio = 1.0

Beam Angle: 80.47

LIGHTING PERFORMANCE DATA

CEILING HEIGHT* (FT.)	INITIAL FOOTCANDLES	BEAM DIAMETER (FT.-IN.)
8	28.3	9 - 4
10	15.2	12 - 8
12	9.5	16 - 1
14	6.5	19 - 6
16	4.7	22 - 10

DISTRIBUTION CURVE



DEGREES	CANDELA		FOOT-LAMBERTS
	AT 0°	AT 90°	
90	0	0	
85	0	0	0
75	2	2	278
65	17	21	1618
55	180	180	11298
45	333	344	17234
35	495	506	
25	664	671	
15	812	823	
5	872	882	
0	857	857	

COEFFICIENTS OF UTILIZATION ZONAL CAVITY METHOD

Effective Floor Cavity Reflectance 0.20

RC	80		70		50	
	50	30	50	30	50	30
0	90	90	90	90	88	88
1	84	82	80	78	82	81
2	80	75	70	68	78	73
3	73	68	64	59	72	67
4	68	61	56	53	68	60
5	65	56	51	46	63	56
6	59	52	46	42	58	51
7	56	47	41	39	55	46
8	53	44	39	34	52	44
9	50	40	35	32	48	40
10	46	38	33	29	46	38

4

S418PLT-CS

Photometric Data

Clear Specular Reflector

Report Number: 24528

Lamp: (1)CFT18W

Total Lumens: 1250

Fixture Efficiency: = 59.4%

IES File: F24528.IES

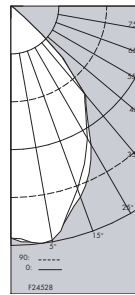
S/MH Ratio = 1.0

Beam Angle: 79.75

LIGHTING PERFORMANCE DATA

CEILING HEIGHT* (FT.)	INITIAL FOOTCANDLES	BEAM DIAMETER (FT.-IN.)
8	17.8	9 - 2
10	9.6	12 - 6
12	6.0	15 - 10
14	4.1	19 - 3
16	3.0	22 - 7

DISTRIBUTION CURVE



DEGREES	CANDELA		FOOT-LAMBERTS
	AT 0°	AT 90°	
90	0	0	
85	0	0	0
75	1	1	139
65	2	2	170
55	11	12	722
45	167	172	8630
35	303	308	
25	404	429	
15	502	508	
5	551	550	
0	539	539	

COEFFICIENTS OF UTILIZATION ZONAL CAVITY METHOD

Effective Floor Cavity Reflectance 0.20

RC	80		70		50	
	50	30	50	30	50	30
0	70	70	70	70	68	68
1	67	65	64	61	66	64
2	63	59	56	55	61	58
3	59	55	52	48	57	54
4	56	51	46	45	55	50
5	53	46	42	40	52	46
6	50	44	40	36	48	42
7	46	40	36	34	46	40
8	44	38	34	30	42	36
9	41	34	30	28	40	34
10	39	33	28	27	39	33