

S826/32/42PLT

8" Open Reflector Vertical Downlights

SPEX

SX1-12

REV. 12/07

CAT. NO:

TYPE:

PROJECT:



8

PRODUCT INFORMATION

Applications

An open reflector downlight for use with long-life energy efficient compact fluorescent lamps. Provides a uniform light distribution for general illumination of areas with low ceilings and areas requiring long hours of continuous operation such as lobbies, corridors, reception areas and offices.

Specifications

1. **Ballast** - One (1) Type 1 Class P, high power factor universal voltage electronic compact fluorescent ballast. Offer both 1 or 2 lamp operation for 120 through 277 volt input voltage.

	18W 120V	18W 277V	26W 120V	26W 277V	32W 120V	32W 277V	42W 120V	42W 277V
Line current amps	.19	.08	.25	.11	.32	.14	.42	.18
Input watts including ballast loss	22	22	28	28	36	36	48	48
Ballast factor	1.00	1.00	1.02	1.02	1.00	1.00	.98+	.98+
Minimum starting temperature	0°F	0°F	0°F	0°F	0°F	0°F	0°F	0°F

2. **Mounting pan** - Precision die-stamped 20 gauge galvanized steel mounting pan and yoke assembly. Accommodates ceiling materials up to 3/4" thick.

3. **Installation** - Mounting pan has pre-installed universal mounting brackets with vertical adjustment. Junction box and mounting brackets are accessible from below ceiling. For 26" C-channel hanger bars, specify Q1032 accessory, ordered separately. For 27" flat bar hangers, specify Q1031 accessory, ordered separately. For 24" adjustable bar hangers, specify Q1033 accessory, ordered separately.

4. **Reflector** - Precision spun .050 aluminum one piece reflector, self flanged with clear specular low iridescent Alzak finish. Reflector is screw mounted for positive attachment to socket assembly. Standard flat flange is painted white. Optional polished flange matching reflector finish available, add FF to catalog number.

5. **Baffle** - Precision machined .051 aluminum with deep grooves to minimize aperture glare, anodized matte black or matte white finish. Standard flat flange is painted white. Optional black flange available, add FF to catalog number

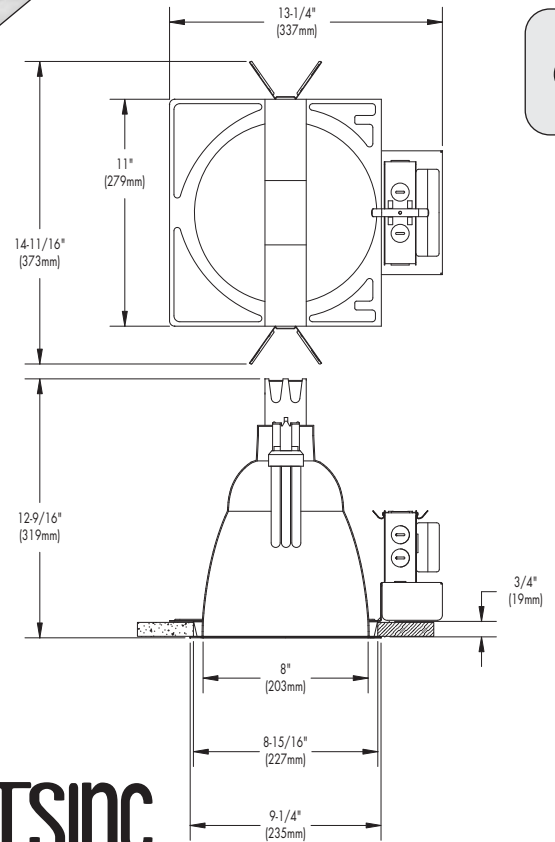
6. **Socket** - CFM18/GX24q, CFM26/GX24q, CFM32/GX24q, CFM42/GX24q, CFQ26W/G24q, CFQ18W/G24q, CFQ13W/G24q.

7. **Junction box** - Large 32-cubic inch 16 gauge galvanized steel with snap-on covers. Approved for through wiring with up to 8 #12 AWG conductors.

8. **Optional emergency system** - Emergency system includes battery, electronic circuitry, charger and test/monitor plate with test switch and charging indicator light. Test/monitor plate may be installed in the ceiling near fixture or other remote location. Operates appropriate lamp wattage for a minimum of 90 minutes following power failure. Emergency system complies with NFPA life safety code, OSHA and NEC. Suitable for dry locations.

9. **U.L. Listed** - For use in damp locations and approved for Through Branch Circuit Wiring. I.B.E.W. union made.

Canadian Specifications may vary from these shown, consult Canadian Division.



CATALOG SYSTEM AND OPTIONS

EXAMPLE OF COMPLETE CATALOG NUMBER: **S826/32/42PLTU-T8CS**

Spex Lamp (by others) Aper.	Frame Options	Supply Voltage	Reflector Series/Size	Reflector Options	Reflector Finish	Reflector Options
S8 26/32/42PLT ¹ 18PLT 26QPL 18QPL 13QPL	F1 Fuse 120v F2 Fuse 277v F3 Fuse 347v EM Emergency IE Integral Emergency ³ DL1 Dimming, Lutron Compact SE, 120v ² DL2 Dimming, Lutron Compact SE, 277v ² DX1 Dimming, Advance Mark X, 120v ² DX2 Dimming, Advance Mark X, 277v ²	U Universal Voltage 120 through 277 50 & 60 Hz S3 347v	T8 -	BB Black Baffle WB White Baffle SH Shatter Guard CL Clear Lens PL Prismatic Lens FL Fresnel Lens	CS Clear Specular CSS Clear Semi-Specular HZ Haze GS Gold Specular WT Wheat PW Pewter BK Black BZ Bronze WH White FF Finish Flange (as suffix to color)	IE Integral Emergency ³ Bar Hanger Accessory: Q1031 27" Flat Bar Hangers (pair) - Wood Joist Q1032 26" C Channel (pair) Q1033 24" Expandable T-Grid or Wood Joist (pair)



1. Utilizes 26, 32 & 42 watt lamps.
2. Specify lamp wattage for 26, 32 or 42 watt for dimming option.
3. IE must be specified on both frame and reflector for Integral Emergency.

OMEGA LIGHTING: 776 South Green St., Tupelo, MS 38804 Phone 662.842.7212 FAX 662.841.5501

Omega Lighting is a Philips group brand

S826QPL-CS

Photometric Data

Clear Specular Reflector

Report Number: 20708

Lamp: (1)CFQ26W
Quad Tube

Total Lumens: 1800

Fixture Efficiency: = 62.0%

IES File: F20708.IES

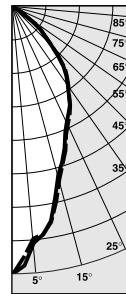
S/MH Ratio = 0.7, 0.7

Beam Angle: 44.81

LIGHTING PERFORMANCE DATA

CEILING HEIGHT* (FT.)	INITIAL FOOTCANDLES	BEAM DIAMETER (FT.-IN.)
8	41.7	4-6
10	22.4	6-2
12	14.0	7-10
14	9.5	9-6
16	6.9	11-2

DISTRIBUTION CURVE



DEGREES	CANDELA		FOOT-LAMBERTS
	AT 0°	AT 90°	
90	0	0	
85	0	0	0
75	0	0	0
65	0	0	0
55	49	43	722
45	250	254	3207
35	449	454	
25	599	611	
15	822	843	
5	1119	1098	
0	1260	1260	

COEFFICIENTS OF UTILIZATION ZONAL CAVITY METHOD

Effective Floor Cavity Reflectance 0.20

RC	80		70		50	
	50	30	50	30	50	30
0	73	73	71	71	68	68
1	68	66	67	65	64	63
2	63	59	60	58	58	56
3	56	54	56	53	55	52
4	53	48	52	48	51	47
5	48	45	47	44	46	44
6	45	40	45	40	44	40
7	41	38	41	38	40	36
8	39	34	39	34	38	34
9	36	33	35	32	35	32
10	34	29	34	29	33	29

8

S842PLT-CS

Photometric Data

Clear Specular Reflector

Report Number: 2687

Lamp: (1) CFM42W

Total Lumens: 3200

Fixture Efficiency: = 60%

IES File: EY5187.IES

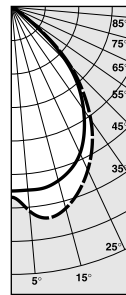
S/MH Ratio = 1.3, 1.2

Beam Angle: 83.17

LIGHTING PERFORMANCE DATA

CEILING HEIGHT* (FT.)	INITIAL FOOTCANDLES	BEAM DIAMETER (FT.-IN.)
8	38.3	9-9
10	20.6	13-3
12	12.8	16-10
14	8.8	20-4
16	6.4	23-11

DISTRIBUTION CURVE



DEGREES	CANDELA		FOOT-LAMBERTS
	AT 0°	AT 90°	
90	0	0	
85	0	0	0
75	0	0	0
65	0	0	0
55	98	112	1753
45	496	524	6662
35	761	844	
25	980	1087	
15	1082	1258	
5	1100	1247	
0	1105	1105	

COEFFICIENTS OF UTILIZATION ZONAL CAVITY METHOD

Effective Floor Cavity Reflectance 0.20

RC	80		70		50	
	50	30	50	30	50	30
0	71	71	69	69	66	66
1	66	64	64	63	62	61
2	60	58	59	57	57	55
3	56	52	55	52	53	51
4	51	48	51	47	49	46
5	47	43	46	43	45	42
6	43	39	43	39	42	39
7	40	36	39	35	38	35
8	36	32	36	32	35	31
9	33	29	32	28	32	28
10	30	26	30	26	29	25