

S82H26QPLLWWU

8" Lensed Wall Wash

SPeX

SX1-13.1

REV. 10/07

CAT. NO:

TYPE:

PROJECT:

PRODUCT INFORMATION

Applications

Lensed wall wash for use with long-life energy efficient compact fluorescent lamps. Provides uniform light distribution vertical surfaces in addition to supplementing general room illumination with excellent color rendition. Ideal for areas requiring long hours of continuous operation such as lobbies, corridors, reception areas and offices.

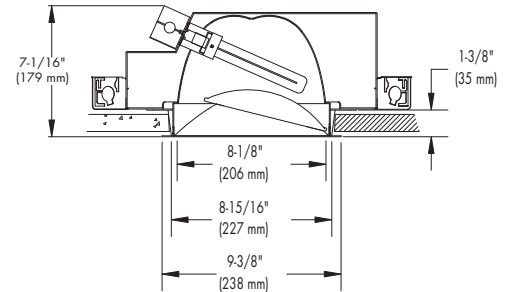
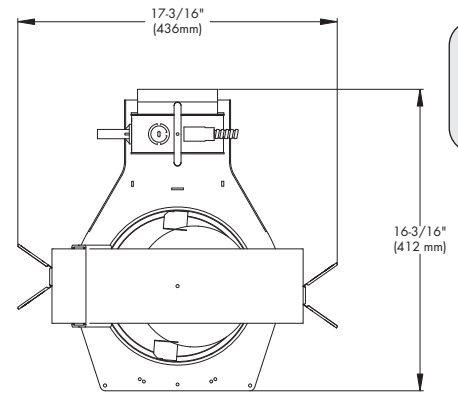
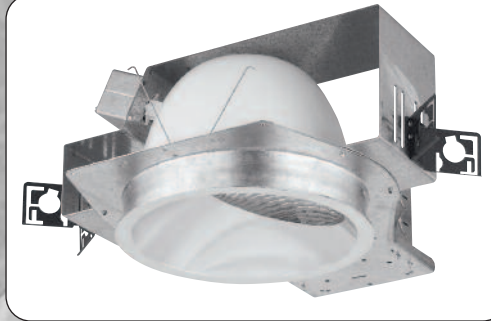
Specifications

1. **Ballast** - One (1) Type 1 Class P, high power factor universal voltage electronic compact fluorescent ballast. Offer both 1 lamp operation for 120 through 277 volt input voltage.

	(2) 18W 18W 120V 277V	(2)26W 26W 120V 277V	(1) 32W 32W 120V 277V	(1)42W42W 120V277V
Line current amps	.34 .15	.49 .21	.32 .14	.42 .18
Input watts, inc. ballast loss	40 40	56 56	36 36	48 48
Ballast Factor	.98+ .98+	.98+ .98+	1.00 1.00	.98 .98
Min. starting temp.	0°F 0°F	0°F 0°F	0°F 0°F	0°F 0°F

- Mounting pan** - Precision die-stamped 20 gauge galvanized steel mounting pan and yoke assembly. Accommodates ceiling materials up to 3/4" thick.
- Installation** - Mounting pan has pre-installed universal mounting brackets with vertical adjustment. Junction box and mounting brackets are accessible from below ceiling. For 30" C-channel hanger bars, specify Q1030 accessory, ordered separately. For 27" flat bar hangers, specify Q1031 accessory, ordered separately. For 24" adjustable bar hangers, specify Q1033 accessory, ordered separately.
- Reflector** - Precision spun, specular clear aluminum reflector directs light to the vertical surface.
- Socket** - 4 pin: QPL (CFQ) = G24q PLT (CFM) = GX24q
- Junction box** - Large 32-cubic inch 16 gauge galvanized steel with snap-on covers. Approved for through wiring with up to 8 #12 AWG conductors.
- Optional emergency system** - Emergency system includes battery, electronic circuitry, charger and test/monitor plate with test switch and charging indicator light. Test/monitor plate may be installed in the ceiling near fixture or other remote location. Operates appropriate lamp wattage for a minimum of 90 minutes following power failure. Emergency system complies with NFPA life safety code, OSHA and NEC. Suitable for dry locations.
- U.L. Listed** - For use in damp locations and approved for Through Branch Circuit Wiring. I.B.E.W. union made.

Canadian Specifications may vary from these shown, consult Canadian Division.



8



CATALOG SYSTEM AND OPTIONS

EXAMPLE OF COMPLETE CATALOG NUMBER: **S82H26QPLLWWU-T82HQPLLWWCS**

Spex Aperture	Lamp (by others)	Lamp Type	Reflector Type	Supply Voltage	Frame Options	Reflector Series/Size	Lamp Configuration	Reflector Type	Reflector Finishes ¹
S8	1H - (1) Horizontal ⁴ 2H - (2) Horizontal	18QPL 26QPL 26/32/42PLT ²	LWW- Lensed Wall Wash	U Universal Electronic 120/277	F1 Fuse120volt F2 Fuse277volt F3 Fuse347volt EM Emergency DX1 Dimming Advance Mark X-120 VAC ³ DX2 Dimming Advance Mark X-277 VAC ³ DL1 Dimming Lutron Compact SE-120 VAC ³ DL2 Dimming Lutron Compact SE-277 VAC ³	T8 - 8"	1HPLT- (1) Horizontal PLT 2HQPL- (2) Horizontal QPL	LWW- Lensed Wall Wash	CS - Clear Specular (low IR) CSS - Clear Semi Specular HZ - Haze PW- Pewter WT - Wheat BZ - Bronze BK - Black WH - White, Paint FF-Finish Flange (add as suffix to color)



Bar Hanger Accessories:
Q1031 27" Flat Bar Hangers (pair) - Wood Joist
Q1032 26" C-Channel (pair)
Q1033 24" Expandable T-Grid or Wood Joist (pair)

- Consult Factory for other reflector finishes
- Utilizes 26, 32 and 42 watt triple tube lamp.
- Specify lamp wattage for 26, 32 or 42 watt for dimming option.
- Available with PLT lamps only.

CAPRI | OMEGA:
 776 South Green St., Tupelo, MS 38804
 Phone 662.842.7212 FAX 662.841.5501
 www.omegalighting.com

CANADIAN DIVISION:
 189 Bullock Drive, Markham, Ontario, Canada L3P 1W4
 Phone 905.294.9570 FAX 800.268.0003

OMEGA
 LIGHTING

S826PLTWWU

Photometric Data

Lensed Wall Washer with Clear Reflector

Source: Compact Fluorescent

Lamp: (2) QPL26W

Reflectances: 80% ceiling, 50% walls, 20% floor

Maintenance Factor: 1.0

IES File: F27026.IES

Distance from ceiling (ft)	2'-6" from wall, 2'-6" on center		3' from wall, 3' on center	
	Below Fixtures	Between Fixtures	Below Fixtures	Between Fixtures
1	11.7	10.2	7.1	6.3
2	42.1	38.0	25.3	21.9
3	46.8	46.5	33.8	33.2
4	39.4	39.6	31.8	31.8
5	31.2	30.9	26.9	27.0
6	24.3	24.0	22.4	22.2
7	19.2	19.0	18.5	18.3
8	15.7	15.5	15.5	15.3
9	13.3	13.1	13.3	13.1

Additional photometric test files are available @ omegalighting.com