

S82H26/32/42PLTCSDC

8" Deep Cone Lensed Reflector Horizontal

SPeX

SX1-17

REV. 12/07

CAT. NO:

TYPE:

PROJECT:



PRODUCT INFORMATION

Applications

Deep low brightness, parabolic cone provides excellent visual comfort. Lensed downlight with energy efficient compact fluorescent lamps. Variations of this unit are well suited for exterior, food service and medical applications where lamps may be required to be isolated yet maintain the appearance of an open downlight.

Specifications

1. **Ballast** - One (1) Type 1 Class P, high power factor universal voltage electronic compact fluorescent ballast. Offer both 1 or 2 lamp operation for 120 through 277 volt input voltage.

	(2)18W		18W		(2)26W		26W		(2)32W		32W		(2)42W		42W	
	120V	277V	120V	277V	120V	277V	120V	277V	120V	277V	120V	277V	120V	277V	120V	277V
Line current amps	.34	.15	.49	.21	.58	.26	.76	.32								
Input watts including ballast loss	40	40	56	56	69	67	91	90								
Ballast factor	.98	.98	.98	.98	1.00	1.00	.98	.98								
Minimum starting temperature	0°F	0°F	0°F	0°F	0°F	0°F	0°F	0°F								

2. **Mounting pan** - Precision die-stamped 20 gauge galvanized steel mounting pan and yoke assembly. Accommodates ceiling materials up to 3/4" thick.

3. **Installation** - Mounting pan has pre-installed universal mounting brackets with vertical adjustment. Junction box and mounting brackets are accessible from below ceiling. For 26" C-channel hanger bars, specify Q1032 accessory, ordered separately. For 27" flat bar hangers, specify Q1031 accessory, ordered separately. For 24" adjustable bar hangers, specify Q1033 accessory, ordered separately.

4. **Lensed trim** - Tempered glass, lensed reflector system with clear specular Alzak cone. Friction Spring mounting for ease of installation.

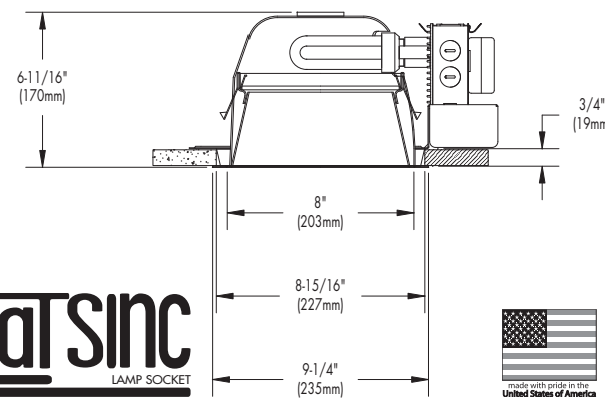
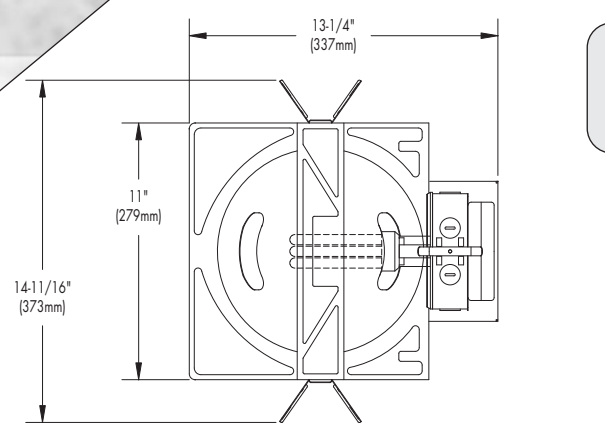
5. **Socket** - CFM42W/GX24q, CFM32W/GX24q, CFM26W/GX24q, CFM18W/GX24q, or CFQ26W/G24q, CFQ18W/G24q, CFQ13W/G24q, horizontally mounted 4 pin plug-in type. (Lamps ordered separately.)

6. **Junction box** - Large 32-cubic inch 16 gauge galvanized steel with snap-on covers and ground wire riveted to frame. Approved for through wiring with up to 8 #12 AWG conductors.

7. **Optional emergency system** - Emergency system includes battery, electronic circuitry, charger and test/monitor plate with test switch and charging indicator light. Test/monitor plate may be installed in the ceiling near fixture or other remote location. Operates appropriate lamp wattage for a minimum of 90 minutes following power failure. Emergency system complies with NFPA life safety code, OSHA and NEC. Suitable for wet locations and covered ceilings.

8. **U.L. Listed** - For use in wet location, covered ceilings. Approved for Through Branch Circuit Wiring. I.B.E.V. union made.

☛ Canadian Specifications may vary from these shown, consult Canadian Division.



8

CATALOG SYSTEM AND OPTIONS

EXAMPLE OF COMPLETE CATALOG NUMBER: **S82H26/32/42PLTU-T82HPLTCSDCFL**

Spex Lamp Aper. (by others)	Frame Options	Supply Voltage	Reflector Series/Size	Lamp Configuration	Deep Cone Reflector Type	Lens (required)	Reflector Options
S8		U	-	T8			
2H26/32/42PLT ¹	F1 Fuse 120v	Universal Voltage		2HPLT	CSDC Clear Specular	FL Fresnel	IE Integral
2H18PLT	F2 Fuse 277v	120 through 277		(2) horz. PLT	WHDC White (paint)	PL Prismatic	Emergency ³
1H26/32/42PLT ¹	F3 Fuse 347v	50 & 60 Hz		2HQPL	BKDC Black (paint)	CL Clear Glass	
1H18PLT	EM Emergency	53 347v		(2) horz. QPL	FF Finish Flange (add as suffix to color)	POLY Clear polycarbonate	
2H26QPL	IE Integral Emergency ³			1H			
2H18QPL	DL1 Dimming, Lutron Compact SE, 120v ²			(1) horz. PLT or QPL			
2H13QPL	DL2 Dimming, Lutron Compact SE, 277v ²						
1H26QPL	DX1 Dimming, Advance Mark X, 120v ²						
1H18QPL	DX2 Dimming, Advance Mark X, 277v ²						
1H13QPL							

- Utilizes 26, 32 & 42 watt lamps.
- IE must be specified on both frame and reflector for Integral Emergency.
- Specify lamp wattage for 26, 32 or 42 watt for dimming option.

- Bar Hanger Accessory:**
- Q1031** 27" Flat Bar Hangers (pair) - Wood Joist
 - Q1033** 26" C Channel (pair)
 - Q1033** 24" Expandable T-Grid or Wood Joist (pair)

OMEGA LIGHTING: 776 South Green St., Tupelo, MS 38804 Phone 662.842.7212 FAX 662.841.5501

Omega Lighting is a Philips group brand

For photometric data consult factory.

Additional photometric test files are available @ omegalighting.com