

S82H26/32/42PLTSRDSPL

SPeX

SX1-19

8" Shallow Recessed Depth Lensed Downlight

REV. 12/07

CAT. NO:

TYPE:

PROJECT:



PRODUCT INFORMATION

Applications

A soft edged, lensed downlight for use with energy efficient compact fluorescent lamps. Provides broad, uniform light distribution while concealing lamp image and maintaining good visual cutoff. Ideal for areas such as lobbies, corridors, canopies, soffits, restaurants and offices.

Specifications

1. **Ballast** - One (1) Type 1 Class P, high power factor universal voltage electronic compact fluorescent ballast. Offers a 2 lamp operation for 120 through 277 volt input voltage.

	(2)18W 18W		(2)26W 26W		(2)32W 32W		(2)42W 42W	
	120V	277V	120V	277V	120V	277V	120V	277V
Line current amps	.34	.15	.49	.21	.58	.26	.76	.32
Input watts including ballast loss	40	40	56	56	69	67	91	90
Ballast factor	.98	.98	.98	.98	1.00	1.00	.98	.98
Minimum starting temperature	0°F	0°F	0°F	0°F	0°F	0°F	0°F	0°F

2. **Mounting pan** - Precision die-stamped 20 gauge galvanized steel mounting pan and yoke assembly. Accommodates ceiling materials up to 3/4" thick.

3. **Installation** - Mounting pan has pre-installed universal mounting brackets with vertical adjustment. Junction box and mounting brackets are accessible from below ceiling. For 26" C-channel hanger bars, specify Q1032 accessory, ordered separately. For 27" flat bar hangers, specify Q1031 accessory, ordered separately. For 24" adjustable bar hangers, specify Q1033 accessory, ordered separately.

4. **Splay trim** - Spun aluminum regressed splay trim with white powder paint finish. Torsion spring mounting for ease of installation. Flat fresnel and prismatic lens for smooth, even distribution of light. Flat clear tempered lens for enclosed application.

5. **Baffle** - Precision machined .051 aluminum with deep grooves to minimize aperture glare, anodized matte black or matte white finish. Standard flat flange is painted white. Optional black flange available, add FF to catalog number.

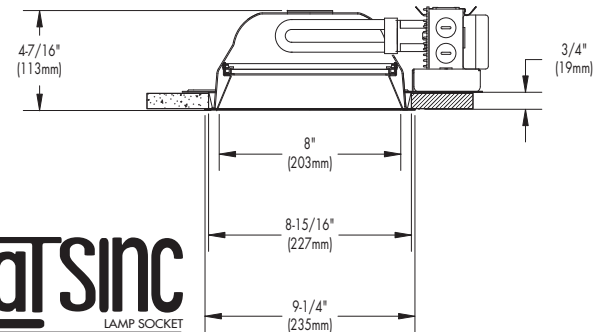
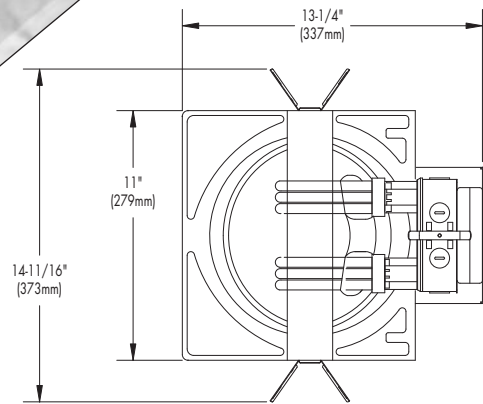
6. **Socket** - CFM42W/ GX24q, CFM32W/ GX24q, CFM26W/ GX24q, CFM18W/ GX24q, CFQ26W/G24q, CFQ18W/ G24q.

7. **Junction box** - Large 27.56-cubic inch 16 gauge galvanized steel with snap-on covers. Approved for through wiring with up to 8 #12 AWG conductors.

8. **Optional emergency system** - Emergency system includes battery, electronic circuitry, charger and test/monitor plate with test switch and charging indicator light. Test/monitor plate may be installed in the ceiling near fixture or other remote location. Operates one 18,26,32, or 42 watt lamp for a minimum of 90 minutes following power failure. Emergency system complies with NFPA life safety code, OSHA and NEC. Suitable for dry locations.

9. **U.L. Listed** - For use in wet location, covered ceiling applications. Approved for Through Branch Circuit Wiring. I.B.E.W. union made.

Canadian Specifications may vary from these shown, consult Canadian Division.



HeatSinc
LAMP SOCKET

8

CATALOG SYSTEM AND OPTIONS

EXAMPLE OF COMPLETE CATALOG NUMBER: **S8SRD2H26/32/42PLTU-T8SRD2HPLTSPLFL**

Spex Aperture	Frame Config.	Lamp (by others)	Frame Options	Supply Voltage	Reflector Size/Series	Lamp Configuration	Reflector Type	Lens (required)
S8 SRD	Shallow	2H26/32/42PL ¹	F1 Fuse 120v	U Universal Voltage	-	T8SRD	SPL Splay (white)	FL Fresnel
	Recessed	2H18PLT	F2 Fuse 277v	120 through 277			CSSPL Clear Specular	PL Prismatic
	Depth	1H26/32/42PL ¹	F3 Fuse 347v	50 & 60 Hz			BBSPL Black Baffle Splay	CL Clear Glass
		1H18PLT	EM Emergency	S3 347v			BKSPL Black (paint)	POLY Clear polycarbonate
		2H26QPL	DL1 Dimming, Lutron Compact SE, 120v ²				TPVR Tamper Proof Screws	
		2H18QPL	DL2 Dimming, Lutron Compact SE, 277v ²					
		2H13QPL	DX1 Dimming, Advance Mark X, 120v ²					
		1H26QPL	DX2 Dimming, Advance Mark X, 277v ²					
		1H18QPL						
		1H13QPL						



Bar Hanger Accessory:
Q1031 27" Flat Bar Hangers (pair)
 - Wood Joist
Q1032 26" C Channel (pair)
Q1033 24" Expandable T-Grid or Wood Joist (pair)

- Utilizes 26, 32 & 42 watt lamps.
- Specify lamp wattage for 26, 32 or 42 watt for dimming option.

OMEGA LIGHTING: 776 South Green St., Tupelo, MS 38804 Phone 662.842.7212 FAX 662.841.5501

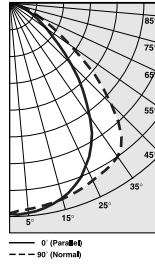
S82H32PLTSRDSPL-FL Photometric Data

Fresnel Lens with White Regressed Splay

Report Number: 22484
 Lamp: (2) CFM32W
 Total Lumens: 4800
 Fixture Efficiency: = 50.2%
 IES File: F22484.IES
 S/MH Ratio = 1.2, 1.4
 Beam Angle: 92.97

LIGHTING PERFORMANCE DATA

CEILING HEIGHT* (FT.)	INITIAL FOOTCANDLES	BEAM DIAMETER (FT.-IN.)
8	37.4	11-7
10	20.1	15-10
12	12.5	20-0
14	8.5	24-3
16	6.2	28-5



DISTRIBUTION CURVE

DEGREES	CANDELA		FOOT-LAMBERTS
	AT 0°	AT 90°	
90	2	1	
85	7	9	826
75	38	46	1460
65	118	170	3067
55	249	406	5139
45	476	778	7980
35	759	1012	
25	970	1054	
15	1087	1091	
5	1131	1112	
0	1130	1130	

COEFFICIENTS OF UTILIZATION ZONAL CAVITY METHOD

Effective Floor Cavity Reflectance 0.20

RC	80		70		50	
	50	30	50	30	50	30
0	59	59	57	57	56	56
1	54	52	53	51	51	48
2	47	45	46	45	45	42
3	42	40	41	39	40	38
4	39	34	38	34	36	34
5	34	30	34	30	34	29
6	32	28	30	28	30	27
7	28	25	28	25	28	25
8	27	23	26	23	26	22
9	25	20	23	20	23	20
10	23	19	23	19	22	19

8

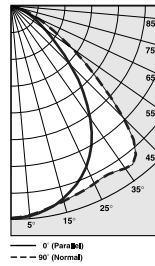
S82H26QPLSRDSPL-FL Photometric Data

Fresnel Lens with White Regressed Splay

Report Number: 22483
 Lamp: (2) CFQ26W
 Total Lumens: 3600
 Fixture Efficiency: = 39.0%
 IES File: F22483.IES
 S/MH Ratio = 1.1, 1.4
 Beam Angle: 93.47

LIGHTING PERFORMANCE DATA

CEILING HEIGHT* (FT.)	INITIAL FOOTCANDLES	BEAM DIAMETER (FT.-IN.)
8	22.3	11-8
10	12.0	15-11
12	7.5	20-2
14	5.1	24-5
16	3.7	28-8



DISTRIBUTION CURVE

DEGREES	CANDELA		FOOT-LAMBERTS
	AT 0°	AT 90°	
90	1	1	
85	4	5	465
75	21	28	852
65	65	99	1746
55	135	244	2973
45	266	508	4926
35	438	630	
25	564	623	
15	634	642	
5	670	667	
0	674	674	

COEFFICIENTS OF UTILIZATION ZONAL CAVITY METHOD

Effective Floor Cavity Reflectance 0.20

RC	80		70		50	
	50	30	50	30	50	30
0	46	46	45	45	42	42
1	41	40	40	40	39	38
2	36	34	36	34	34	34
3	34	30	33	29	33	29
4	29	27	29	27	28	26
5	27	23	27	23	26	23
6	25	22	23	20	23	20
7	23	20	22	19	22	19
8	20	17	20	17	20	17
9	19	16	19	16	17	16
10	17	14	17	14	17	14