

IC426PLT

4" IC/AirSeal™ Rated Downlight

SPEX

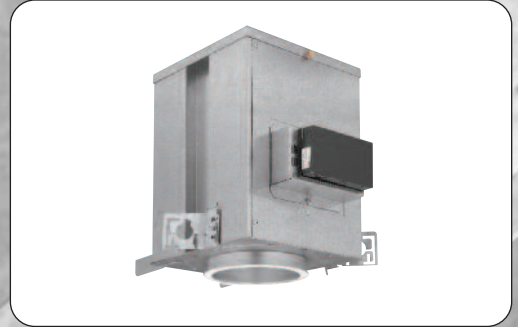
SXI-2.5

REV. 5/09

CAT. NO:

TYPE:

PROJECT:



PRODUCT INFORMATION

Applications

Specification grade recessed downlight UL Listed for direct contact with ceiling insulation. Ideal for applications requiring a balance of efficiency, performance and even illumination.

Specifications

- Ballast** - Type I Class P, high power factor universal voltage electronic compact fluorescent ballast. Offers 1 lamp operation for 120 through 277 volt input voltage.
- Housing** - Fully enclosed corrosion resistant 20 gauge galvanized steel. Fixture is AirSeal™ rated meeting ASTM E283 and Washington State Energy Code and International Energy Conservation Code requirements.
- Glide Engineering™** - allows the socket assembly to move vertically using constant force springs. Provides easy installation and simple adjustment for ceiling up to 3" thick. Consult factory for ceilings thicker than 3".
- Installation** - Housing has pre-installed universal mounting brackets with vertical adjustment. Junction box and mounting brackets are accessible from below ceiling. For 24" C-channel bar hanger pair; specify Q1032 accessory, ordered separately. For 27" flat bar hanger pair; specify Q1031 accessory, ordered separately. For 24" adjustable bar hanger pair; for T-grid or wood joist applications, specify Q1033 accessory, ordered separately.
- Reflector** - Precision spun .051 aluminum, self flanged with clear specular Alzak low inidescant finish. Reflector is screw mounted for positive attachment to socket assembly. Separate kicker reflector standard in semi-specular clear finish. Reflector rotates 360° for proper horizontal alignment. Standard flat flange is painted white. Optional polished flange matching reflector finish available, add FF to catalog number.
- Socket** - CFM26W/GX24q, CFM18W/GX24q, CFQ13W/G24q
- Junction box** - Extra large 43.75-cubic inch 16 gauge galvanized steel with snap-on covers. Approved for through wiring with up to 8 #12 AWG conductors.
- Optional Emergency System** - Emergency system includes battery, electronic circuitry, charger and test/monitor plate with test switch and charging indicator light. Test/monitor plate may be installed in the ceiling near fixture or other remote location. Operates appropriate lamp wattage for a minimum of 90 minutes following power failure. Battery is recharged automatically following restoration of power. Emergency system complies with NFPA life safety code, OSHA and NEC. Suitable for dry locations.
- U.L. Listed** - For use in damp locations and approved for Through Branch Circuit Wiring. I.B.E.W. union made.

☛ Canadian Specifications may vary from these shown, consult Canadian Division.

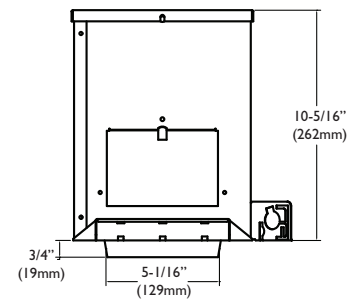
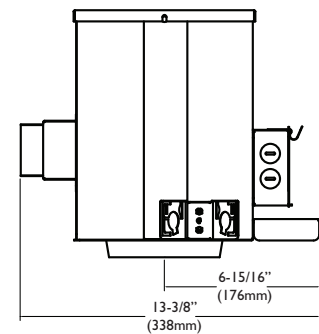
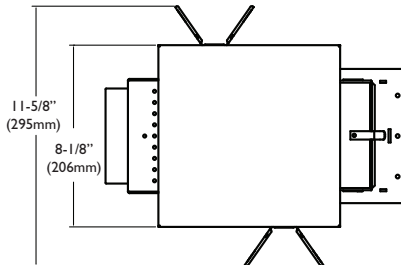
GLIDE

ENGINEERING

airseal

IG

4



CATALOG SYSTEM AND OPTIONS

HOUSING

OMEGA Aprtr.	Lamp (by others)	Supply Voltage	Options
IC4	26 PLT - Triple Tube CFL	U	EM Emergency*
4"	18 PLT - Triple Tube CFL	120/277	
IC/Airseal	13 QPL - Quad CFL	347 ☛	

Footnotes:

* EM option requires top access for servicing.

EXAMPLE OF COMPLETE CATALOG NUMBER: IC426PLTU-T4WWCS

TRIMS

Reflector/Lamp Configuration	Reflector Type	Reflector Finish
T4	Blank Open Downlight WW Wall Wash	CS Clear Specular CSS Clear Semi-Specular HZ Haze GS Gold Specular WT Wheat PW Pewter BK Black BZ Bronze WH White FF Finish Flange (as suffix to color)

Bar Hanger Accessory:

- Q1031 27" Flat Bar Hangers (pair) - Wood Joist
- Q1032 24" C Channel (pair)
- Q1033 24" Expandable T-Grid or Wood Joist (pair)

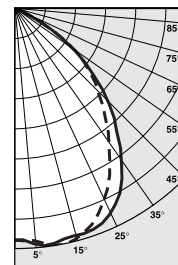


**Clear Specular Reflector
IC426PLTU-T4CS**

Report Number: 22529
 Lamp: (1) CFM26W
 Total Lumens: 1800
 Fixture Efficiency: = 78.7%
 IES File: 22529.IES
 S/MH Ratio = 1.3, 1.2
 Beam Angle: 95.05

**LIGHTING
PERFORMANCE DATA**

CEILING HEIGHT* (FT.)	INITIAL FOOTCANDLES	BEAM DIAMETER (FT.-IN.)
8	21.9	12-0
9	11.8	16-5
10	7.3	20-9
11	5.0	25-1
12	3.6	29-6



**Wall Washer with Clear Reflector
IC426PLTU-T4WWCS**

Source: Compact Fluorescent
 Lamp: (1) CFM26W
 Reflectances: 80% ceiling, 50% walls, 20% floor
 Maintenance Factor: 1.0
 IES File: 22530.IES

Distance from ceiling (ft)	3' from wall, 3' on center	
	Below Fixtures	Between Fixtures
1	11.97	10.04
2	19.78	18.60
3	21.26	20.13
4	19.07	18.59
5	16.66	15.96
6	13.80	13.54
7	11.73	11.61
8	10.43	10.20
9	9.20	8.95