

S626/32/42PLT

6" Open Reflector Vertical Downlights

SPEX

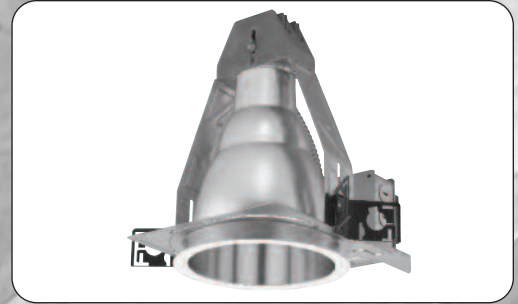
SX1-3

REV. 12/07

CAT. NO:

TYPE:

PROJECT:



6

PRODUCT INFORMATION

Applications

Small aperture open reflector downlight for use with long-life energy efficient compact fluorescent lamps. Provides uniform light distribution with excellent color rendition. Ideal for low ceilings and areas requiring long hours of continuous operation such as lobbies, corridors, reception areas and offices.

Specifications

1. **Ballast** - One (1) Type 1 Class P, high power factor universal voltage electronic compact fluorescent ballast. Offers 1 lamp operation for 120 through 277 volt input voltage.

	18W 120V	18W 277V	26W 120V	26W 277V	32W 120V	32W 277V	42W 120V	42W 277V
Line current amps	.19	.08	.25	.11	.32	.14	.42	.18
Input watts including ballast loss	22	22	28	28	36	36	48	48
Ballast factor	1.00	1.00	1.02	1.02	1.00	1.00	.98+	.98+
Minimum starting temperature	0°F	0°F	0°F	0°F	0°F	0°F	0°F	0°F

2. **Mounting pan** - Precision die-stamped 20 gauge galvanized steel mounting pan and yoke assembly. Accommodates ceiling materials up to 3/4" thick.

3. **Installation** - Mounting pan has pre-installed universal mounting brackets with vertical adjustment. Junction box and mounting brackets are accessible from below ceiling. For 26" C-channel hanger bars, specify Q1032 accessory, ordered separately. For 27" flat bar hangers, specify Q1031 accessory, ordered separately. For 24" adjustable bar hangers, specify Q1033 accessory, ordered separately.

4. **Reflector** - Precision spun .050 aluminum one piece reflector, self flanged with clear specular low iridescent Alzak finish. Reflector is screw mounted for positive attachment to socket assembly. Standard flat flange is painted white. Optional polished flange matching reflector finish available, add FF to catalog number.

5. **Baffle** - Precision machined .051 aluminum with deep grooves to minimize aperture glare, anodized matte black or matte white finish. Standard flat flange is painted white. Optional black flange available, add FF to catalog number.

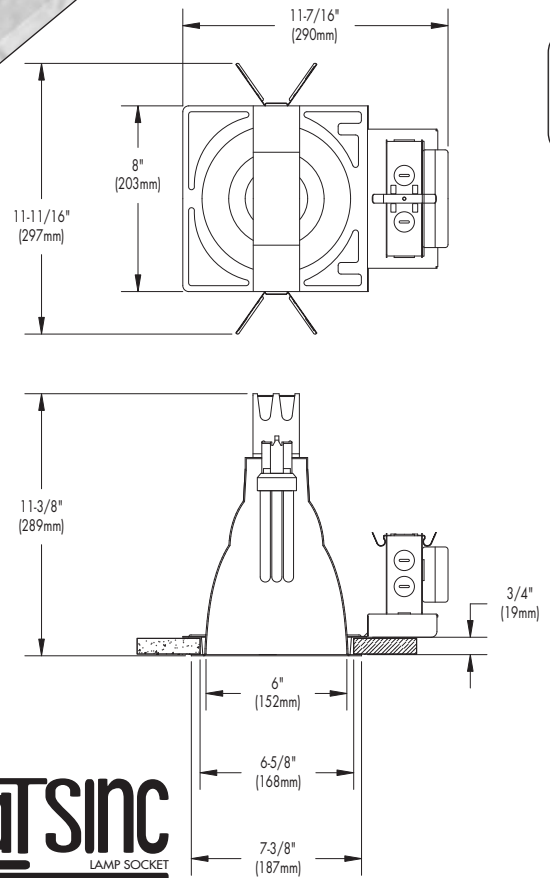
6. **Socket** - CFM42W/GX24q, CFM32W/GX24q, CFM26W/GX24q, CFM18W/GX24q, CFQ26W/G24q, CFQ18W/G24q, CFQ13W/G24q.

7. **Junction box** - Large 32-cubic inch 16 gauge galvanized steel with snap-on covers. Approved for through wiring with up to 8 #12 AWG conductors.

8. **Optional emergency system** - Emergency system includes battery, electronic circuitry, charger and test/monitor plate with test switch and charging indicator light. Test/monitor plate may be installed in the ceiling near fixture or other remote location. Operates appropriate lamp wattage for a minimum of 90 minutes following power failure. Emergency system complies with NFPA life safety code, OSHA and NEC. Suitable for dry locations.

9. **U.L. Listed** - For use in damp locations and approved for Through Branch Circuit Wiring. I.B.E.W. union made.

Canadian Specifications may vary from these shown, consult Canadian Division.



CATALOG SYSTEM AND OPTIONS

EXAMPLE OF COMPLETE CATALOG NUMBER: **S626/32/42PLTU-T6CS**

Spex Aperture	Lamp (by others)	Frame	Supply Voltage	Reflector Series/Size	Reflector Options	Reflector Finish	Reflector Options
S6	26/32/42PLT 1 18PLT 26QPL 18QPL 13QPL	F1 Fuse 120v F2 Fuse 277v F3 Fuse 347v EM Emergency IE Integral Emergency ³ DL1 Dimming, Lutron Compact SE, 120v ² DL2 Dimming, Lutron Compact SE, 277v ² DX1 Dimming, Advance Mark X, 120v ² DX2 Dimming, Advance Mark X, 277v ²	U Universal Voltage 120 through 277 50 & 60 Hz S3 347V	-	T6 BB Black Baffle WB White Baffle SH Shatter Guard CL Clear Lens PL Prismatic Lens FL Fresnel Lens	CS Clear Specular CSS Clear Semi-Specular HZ Haze GS Gold Specular WT Wheat PW Pewter BK Black BZ Bronze WH White FF Finish Flange (as suffix to color)	IE- Integral Emergency ³



1. Utilizes 26, 32 and 42 watt triple tube lamp.
2. Specify lamp wattage for 26, 32 or 42 watt for dimming option.
3. IE must be specified on frame and reflector for Integral Emergency.

Bar Hanger Accessory:

- Q1031** 27" Flat Bar Hangers (pair) - Wood Joist
- Q1032** 26" C Channel (pair)
- Q1033** 24" Expandable T-Grid or Wood Joist (pair)

OMEGA LIGHTING: 776 South Green St., Tupelo, MS 38804 Phone 662.842.7212 FAX 662.841.5501

Omega Lighting is a Philips group brand

S632PLT-CS

Photometric Data

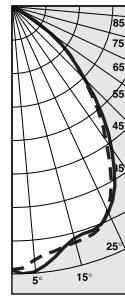
Clear Specular Reflector

Report Number: F22416
 Lamp: (1) CFM32W
 Total Lumens: 2400
 Fixture Efficiency: = 58.4%
 IES File: F22416.IES
 S/MH Ratio = 1.1, 1.0
 Beam Angle: 75.13

LIGHTING PERFORMANCE DATA

CEILING HEIGHT* (FT.)	INITIAL FOOTCANDLES	BEAM DIAMETER (FT.-IN.)
8	36.4	8-6
10	19.6	11-6
12	12.2	14-7
14	8.3	17-8
16	6.0	20-9

DISTRIBUTION CURVE



DEGREES	CANDELA		FOOT-LAMBERTS
	AT 0°	AT 90°	
90	0	0	
85	0	0	0
75	0	0	0
65	0	0	0
55	19	21	558
45	274	280	6268
35	632	609	
25	893	858	
15	1000	984	
5	1080	1098	
0	1100	1100	

COEFFICIENTS OF UTILIZATION ZONAL CAVITY METHOD

Effective Floor Cavity Reflectance 0.20

RC	80		70		50	
	50	30	50	30	50	30
0	69	69	68	68	65	65
1	64	63	63	61	60	58
2	58	56	57	56	56	54
3	55	51	54	51	52	50
4	50	46	50	46	47	45
5	46	42	46	41	45	41
6	42	39	42	39	41	38
7	40	35	40	35	39	35
8	36	33	36	33	35	33
9	34	30	34	30	34	30
10	33	28	32	28	32	28

6

S626QPL-CS

Photometric Data

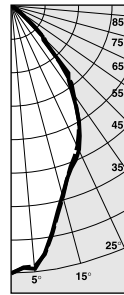
Clear Specular Reflector

Report Number: 21474
 Lamp: (1) CFQ26W
 Total Lumens: 1800
 Fixture Efficiency: = 53.5%
 IES File: F21474.IES
 S/MH Ratio = 0.8, .08
 Beam Angle: 65.71

LIGHTING PERFORMANCE DATA

CEILING HEIGHT* (FT.)	INITIAL FOOTCANDLES	BEAM DIAMETER (FT.-IN.)
8	32.1	7-1
10	17.6	9-8
12	10.7	12-3
14	7.3	14-10
16	5.3	17-5

DISTRIBUTION CURVE



DEGREES	CANDELA		FOOT-LAMBERTS
	AT 0°	AT 90°	
90	0	0	
85	0	0	0
75	0	0	0
65	1	1	38
55	21	15	502
45	159	159	3598
35	416	467	
25	592	606	
15	702	703	
5	959	953	
0	970	970	

COEFFICIENTS OF UTILIZATION ZONAL CAVITY METHOD

Effective Floor Cavity Reflectance 0.20

RC	80		70		50	
	50	30	50	30	50	30
0	64	64	61	61	58	58
1	58	57	57	56	56	55
2	54	52	53	51	52	50
3	50	46	50	46	47	46
4	46	42	46	42	45	41
5	42	40	42	40	41	39
6	40	36	40	35	39	35
7	36	34	36	34	35	33
8	34	30	34	30	34	30
9	33	28	32	28	32	28
10	30	27	29	27	29	27