

S61H26/32/42PLTCSDC

6" Deep Cone Lensed Horizontal Downlights

SPeX

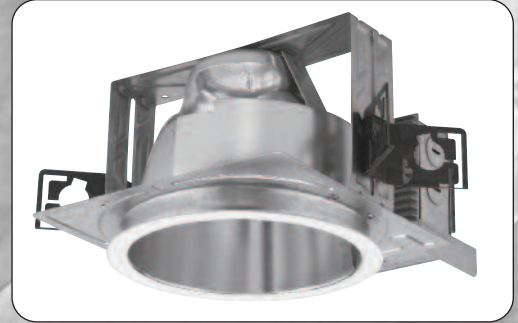
SX1-8

REV. 12/07

CAT. NO:

TYPE:

PROJECT:



6

PRODUCT INFORMATION

Applications

Deep low brightness, parabolic cone provides excellent visual comfort. Lensed downlight with energy efficient compact fluorescent lamps. Variations of this unit are well suited for exterior, food service and medical applications where lamps may be required to be isolated yet maintain the appearance of an open downlight.

Specifications

1. **Ballast** - One (1) Type 1 Class P, high power factor universal voltage electronic compact fluorescent ballast. Offer both 1 or 2 lamp operation for 120 through 277 volt input voltage.

| | 18W 120V | 18W 277V | 26W 120V | 26W 277V | 32W 120V | 32W 277V | 42W 120V | 42W 277V |
|------------------------------------|-------------|-------------|-------------|-------------|-------------|-------------|-------------|-------------|
| Line current amps | .19 | .08 | .25 | .11 | .32 | .14 | .42 | .18 |
| Input watts including ballast loss | 22 | 22 | 28 | 28 | 36 | 36 | 48 | 48 |
| Ballast factor | 1.00 | 1.00 | 1.02 | 1.02 | 1.00 | 1.00 | .98+ | .98+ |
| Minimum starting temperature | 0°F | 0°F | 0°F | 0°F | 0°F | 0°F | 0°F | 0°F |

2. **Mounting pan** - Precision die-stamped 20 gauge galvanized steel mounting pan and yoke assembly. Accommodates ceiling materials up to 3/4" thick.

3. **Installation** - Mounting pan has pre-installed universal mounting brackets with vertical adjustment. Junction box and mounting brackets are accessible from below ceiling. For 26" C-channel hanger bars, specify Q1032 accessory, ordered separately. For 27" flat bar hangers, specify Q1031 accessory, ordered separately. For 24" adjustable bar hangers, specify Q1033 accessory, ordered separately.

4. **Lensed trim** - Tempered glass, lensed reflector system with clear specular cone. Friction Spring mounting for ease of installation.

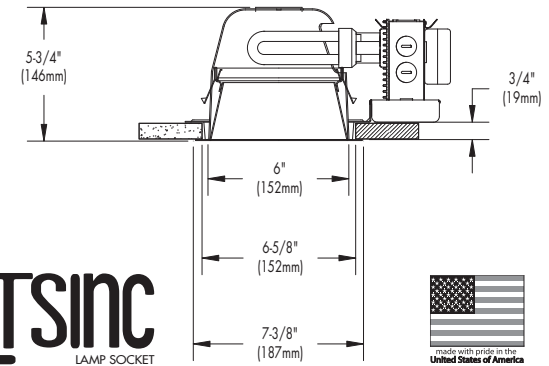
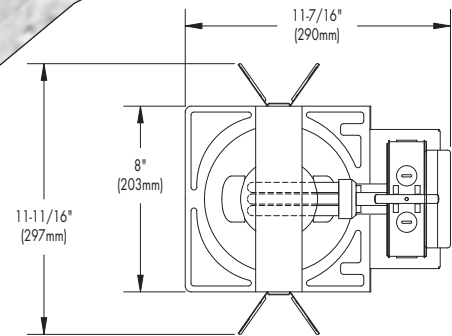
5. **Socket** - CFM42W/GX24q, CFM32W/GX24q, CFM26W/GX24q, CFM18W/GX24q, CFQ26W/G24q, CFQ18W/G24q, CFQ13W/G24q, horizontally mounted 4 pin plug-in type. (Lamps ordered separately.)

6. **Junction box** - Large 32-cubic inch 16 gauge galvanized steel with snap-on covers and ground wire riveted to frame. Approved for through wiring with up to 8 #12 AWG conductors.

7. **Optional emergency system** - Emergency system includes battery, electronic circuitry, charger and test/monitor plate with test switch and charging indicator light. Test/monitor plate may be installed in the ceiling near fixture or other remote location. Operates appropriate lamp wattage for a minimum of 90 minutes following power failure. Emergency system complies with NFPA life safety code, OSHA and NEC. Suitable for wet locations and covered ceilings.

8. **U.L. Listed** - For use in wet location and covered ceilings. Approved for Through Branch Circuit Wiring. I.B.E.W. union made.

☛ Canadian Specifications may vary from these shown, consult Canadian Division.



HeatSinc
LAMP SOCKET



CATALOG SYSTEM AND OPTIONS

EXAMPLE OF COMPLETE CATALOG NUMBER: **S61H26/32/42PLTU-T61HCSDCFL**

| Spex Aper. | Lamp (by others) | Frame Options | Supply Voltage | Reflector Series/Size | Lamp Configuration | Deep Cone Reflector Type | Lens (required) | Reflector Options |
|------------|----------------------------|---|-------------------|-----------------------|-------------------------|--|----------------------------|---------------------------------------|
| S6 | 1H26/32/42PLT ¹ | F1 Fuse 120v | U | - | T6 | | | |
| | 1H18PLT | F2 Fuse 277v | Universal Voltage | | 1H (1) horz. PLT or QPL | CSDC Clear Specular WHDC White (paint) | FL-Fresnel PL-Prismatic | IE-Integral Emergency ³ |
| | 2H26QPL | F3 Fuse 347v | 120 through 277 | | 2HQPL (2) horz. QPL | BKDC Black (paint) | CL-Clear Glass | |
| | 2H18QPL | EM Emergency | 50 & 60 Hz | | | FF Finish Flange (add as suffix to color) | POLY-Clear polycarbonate | |
| | 2H13QPL | DCIE Integral Emergency | S3 347V | | | | | |
| | 1H26QPL | DL1 Dimming, Lutron Compact SE, 120v ² | | | | | | |
| | 1H18QPL | DL2 Dimming, Lutron Compact SE, 277v ² | | | | | | |
| | 1H13QPL | DX1 Dimming, Advance Mark X, 120v ² | | | | | | |
| | | DX2 Dimming, Advance Mark X, 277v ² | | | | | | |

1. Utilizes 26, 32 & 42 watt lamps.
2. Specify lamp wattage for 26, 32 or 42 watt for dimming option.
3. IE must be specified on both frame and reflector for Integral Emergency.

Bar Hanger Accessory:
Q1031 27" Flat Bar Hangers (pair) - Wood Joist
Q1032 26" C Channel (pair)
Q1033 24" Expandable T-Grid or Wood Joist (pair)

OMEGA LIGHTING: 776 South Green St., Tupelo, MS 38804 Phone 662.842.7212 FAX 662.841.5501

S61H32PLT-T6CSDC-CL Photometric Data

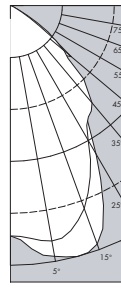
Clear Specular Reflector

Report Number: 24541
 Lamp: (1)CFT32W
 Total Lumens: 2400
 Fixture Efficiency: = 63.9%
 IES File: F24541.IES
 S/MH Ratio = 1.1
 Beam Angle: 81.61

LIGHTING PERFORMANCE DATA

| CEILING HEIGHT* (FT.) | INITIAL FOOTCANDLES | BEAM DIAMETER (FT.-IN.) |
|-----------------------|---------------------|-------------------------|
| 8 | 29.8 | 9 - 6 |
| 10 | 16.0 | 12 - 11 |
| 12 | 10.0 | 16 - 5 |
| 14 | 6.8 | 19 - 10 |
| 16 | 4.9 | 23 - 4 |

DISTRIBUTION CURVE



| DEGREES | CANDELA | | FOOT-LAMBERTS |
|---------|---------|--------|---------------|
| | AT 0° | AT 90° | |
| 90 | 0 | 0 | 92 |
| 85 | 1 | 0 | 92 |
| 75 | 3 | 3 | 185 |
| 65 | 18 | 19 | 700 |
| 55 | 138 | 182 | 4463 |
| 45 | 406 | 294 | 7920 |
| 35 | 532 | 512 | |
| 25 | 739 | 862 | |
| 15 | 912 | 1016 | |
| 5 | 914 | 955 | |
| 0 | 901 | 901 | |

COEFFICIENTS OF UTILIZATION ZONAL CAVITY METHOD

Effective Floor Cavity Reflectance 0.20

| RC | 80 | | 70 | | 50 | |
|----|----|----|----|----|----|----|
| | 50 | 30 | 50 | 30 | 50 | 30 |
| 0 | 76 | 76 | 76 | 76 | 73 | 73 |
| 1 | 71 | 69 | 68 | 66 | 69 | 68 |
| 2 | 67 | 63 | 59 | 57 | 66 | 61 |
| 3 | 63 | 57 | 54 | 51 | 60 | 56 |
| 4 | 58 | 53 | 47 | 45 | 56 | 52 |
| 5 | 55 | 47 | 44 | 40 | 54 | 47 |
| 6 | 51 | 44 | 40 | 35 | 50 | 44 |
| 7 | 47 | 40 | 35 | 33 | 46 | 40 |
| 8 | 45 | 38 | 33 | 29 | 44 | 36 |
| 9 | 42 | 34 | 30 | 28 | 41 | 34 |
| 10 | 40 | 33 | 28 | 26 | 39 | 33 |

S62H26QPL-T6CSDC-CL Photometric Data

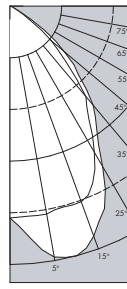
Clear Specular Reflector

Report Number: 24544
 Lamp: (2)CFQ26W
 Total Lumens: 2400
 Fixture Efficiency: = 32.2%
 IES File: F24544.IES
 S/MH Ratio = 1.2
 Beam Angle: 85.85

LIGHTING PERFORMANCE DATA

| CEILING HEIGHT* (FT.) | INITIAL FOOTCANDLES | BEAM DIAMETER (FT.-IN.) |
|-----------------------|---------------------|-------------------------|
| 8 | 21.1 | 10 - 3 |
| 10 | 11.3 | 13 - 11 |
| 12 | 7.1 | 17 - 8 |
| 14 | 4.8 | 21 - 5 |
| 16 | 3.5 | 25 - 1 |

DISTRIBUTION CURVE



| DEGREES | CANDELA | | FOOT-LAMBERTS |
|---------|---------|--------|---------------|
| | AT 0° | AT 90° | |
| 90 | 0 | 0 | 0 |
| 85 | 0 | 0 | 0 |
| 75 | 2 | 1 | 93 |
| 65 | 12 | 12 | 454 |
| 55 | 73 | 126 | 2776 |
| 45 | 240 | 290 | 5996 |
| 35 | 413 | 455 | |
| 25 | 588 | 672 | |
| 15 | 625 | 777 | |
| 5 | 634 | 700 | |
| 0 | 637 | 637 | |

COEFFICIENTS OF UTILIZATION ZONAL CAVITY METHOD

Effective Floor Cavity Reflectance 0.20

| RC | 80 | | 70 | | 50 | |
|----|----|----|----|----|----|----|
| | 50 | 30 | 50 | 30 | 50 | 30 |
| 0 | 38 | 38 | 38 | 38 | 36 | 36 |
| 1 | 35 | 34 | 34 | 33 | 34 | 34 |
| 2 | 34 | 32 | 29 | 28 | 33 | 30 |
| 3 | 32 | 28 | 27 | 26 | 30 | 28 |
| 4 | 29 | 27 | 25 | 23 | 28 | 26 |
| 5 | 28 | 23 | 22 | 20 | 27 | 23 |
| 6 | 26 | 22 | 20 | 19 | 25 | 22 |
| 7 | 23 | 20 | 17 | 17 | 23 | 20 |
| 8 | 23 | 19 | 17 | 14 | 22 | 19 |
| 9 | 20 | 17 | 16 | 14 | 20 | 17 |
| 10 | 20 | 17 | 14 | 13 | 20 | 16 |

Additional photometric test files are available @ omegalighting.com