

S61H18PLTU

6" Turbo Louver

CAT. NO:

TYPE:

PROJECT:



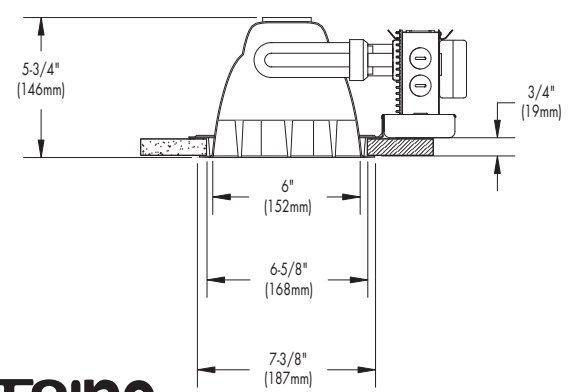
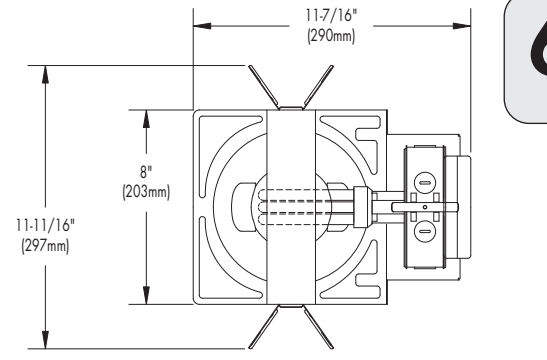
PRODUCT INFORMATION

Applications
Open louvered reflector downlight for use with long life energy efficient compact fluorescent lamps. Provides excellent cut-off for brightness control and visual comfort. Ideal for areas requiring long hours of continuous operation such as lobbies, corridors, reception areas and offices.

- Specifications**
- Ballast** - One (1) Type 1 Class P, high power factor universal voltage electronic compact fluorescent ballast. Offer both 1 or 2 lamp operation for 120 through 347 volt input voltage.
 - Mounting pan** - Precision die-stamped 20 gauge galvanized steel mounting pan and yoke assembly. Accommodates ceiling materials up to 3/4" thick.

	(2) 18W 18W 120V 347V	(2) 26W 26W 120V 347V	(1) 32W 32W 120V 347V	(1) 42W 42W 120V 347V
Line current amps	.19 .06	.24 .08	.29 .14	.38 .13
Input watts, inc. ballast loss	22 22	28 28	34 34	45 45
Ballast Factor	1.00 1.00	1.02 1.02	1.00 1.00	1.02 1.02
Min. starting temp.	-20C -20C	-20C -20C	-20C -20C	-20C -20C

- Installation** - Mounting pan has pre-installed universal mounting brackets with vertical adjustment. Junction box and mounting brackets are accessible from below ceiling. For 30" C-channel hanger bars, specify Q1032 accessory, ordered separately. For 27" flat bar hangers, specify Q1031 accessory, ordered separately. For 24" adjustable bar hangers, specify Q1033 accessory, ordered separately.
 - Reflector** - Precision spun, specular clear aluminum reflector directs light to the vertical surface.
 - Turbo Louver** - Precision formed radical parabolic louver, anodized 1100 aluminum for low iridescence. Tool-less snap in design for easy installation and removal.
 - Socket** - 4 pin: QPL (CFQ) = G24q
PLT (CFM) = GX24q
 - Junction box** - Large 32-cubic inch 16 gauge galvanized steel with snap-on covers. Approved for through wiring with up to 8 #12 AWG conductors.
 - Optional emergency system** - Emergency system includes battery, electronic circuitry, charger and test/monitor plate with test switch and charging indicator light. Test/monitor plate may be installed in the ceiling near fixture or other remote location. Operates appropriate lamp wattage for a minimum of 90 minutes following power failure. Emergency system complies with NFPA life safety code, OSHA and NEC. Suitable for dry locations.
 - cUL Listed** - For use in damp locations.
- ☛ Canadian Specifications may vary from these shown, consult Canadian Division.



6



CATALOG SYSTEM AND OPTIONS

EXAMPLE OF COMPLETE CATALOG NUMBER: **S61H18PLTU-T61HTBCS**

Spex Aperture	Lamp (by others)	Frame Options	Supply Voltage	Reflector Series/Size	Lamp Configuration	Reflector Option	Reflector Finishes ¹
S6	1H26/32/42PLT 1H18PLT 2H26QPL 2H18QPL 2H13QPL 1H26QPL 1H18QPL 1H13QPL	EM Emergency Fuse120volt F1 Fuse277volt F2 Fuse347volt F3 Fuse347volt DX1 Dimming Advance Mark X-120 VAC ² DX2 Dimming Advance Mark X-277 VAC ² DL1 Dimming Lutron Compact SE-120 VAC ² DL2 Dimming Lutron Compact SE-277 VAC ²	U Universal Electronic 120/277	T6 - 6"	1H- (1) Horizontal PLT or QPL 2HQPL- (2) Horizontal QPL	TB- Turbo Louver	CS - Clear Specular (low IR)
Bar Hanger Accessories: Q1031 27" Flat Bar Hangers (pair) - Wood Joist Q1032 26" C-Channel (pair) Q1033 24" Expandable T-Grid or Wood Joist (pair)							



1. Consult Factory for other reflector finishes
2. Specify lamp wattage for 26, 32 or 42 watt for dimming option.

PHOTOMETRIC DATA

S61H26QPLU-T61HTBCS

Clear Specular Reflector

Report Number: CB013

Lamp: (1) QPL26W

Total Lumens: 1825

Fixture Efficiency: = 27.3%

IES File: CB013.IES

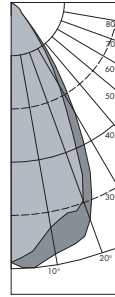
S/MH Ratio = 1.0, 0.9

Beam Angle: 56.35

LIGHTING PERFORMANCE DATA

CEILING HEIGHT* (FT.)	INITIAL FOOTCANDLES	BEAM DIAMETER (FT.-IN.)
8	19.0	5 - 11
10	10.2	8 - 0
12	6.4	10 - 2
14	4.3	12 - 4
16	3.2	14 - 6

DISTRIBUTION CURVE



DEGREES	CANDELA		FOOT-LAMBERTS
	AT 0'	AT 90'	
90	0	0	
85	0	0	0
75	0	0	0
65	0	0	0
55	5	19	322
45	31	32	685
35	170	131	
25	414	326	
15	552	482	
5	589	552	
0	575	575	

COEFFICIENTS OF UTILIZATION ZONAL CAVITY METHOD

Effective Floor Cavity Reflectance 0.20

RC	80			70		50	
	50	30		50	30	50	30
0	33	33	32	32	29	29	29
1	29	29	29	28	28	28	28
2	28	27	28	27	27	27	26
3	26	25	26	25	25	25	23
4	25	23	23	23	23	23	23
5	23	22	23	20	22	20	20
6	22	20	22	20	20	20	20
7	20	19	20	19	20	19	19
8	19	17	19	17	19	17	17
9	17	17	17	17	17	17	16
10	17	16	17	16	17	16	16

90: - - - - -
0: - - - - -
CB013

6

Additional photometric test files are available @ omegalighting.com