

S4A19

4" Open Reflector Downlights

SPeX

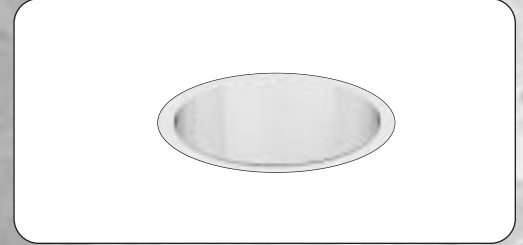
SX2-1

REV. 06/04

CAT. NO:

TYPE:

PROJECT:



4

PRODUCT INFORMATION

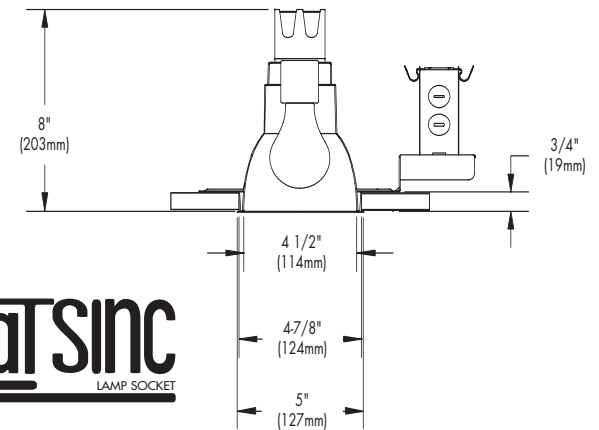
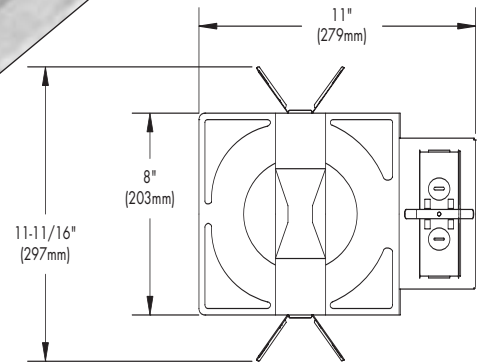
Applications

A small aperture low brightness open reflector downlight for use with economical A type incandescent lamps. Provides broad, uniform light distribution with high efficiency for areas such as lobbies, reception areas, restaurants, residences and offices.

Specifications

- 1. Mounting pan** - Precision die-stamped 20 gauge galvanized steel mounting pan and yoke assembly. Accommodates ceiling materials up to 3/4" thick.
- 2. Installation** - Mounting pan has pre-installed universal mounting brackets with vertical adjustment. Junction box and mounting brackets are accessible from below ceiling. For 30" C-channel hanger bars, specify Q1030 accessory, ordered separately. For 27" flat bar hangers, specify Q1031 accessory, ordered separately.
- 3. Reflectors** - Precision spun .051 aluminum reflector, self flanged with clear specular Alzak® finish. Reflector is screw mounted for positive attachment to socket assembly. Standard flat flange is painted white. Optional polished flange matching reflector finish available, add FF to catalog number.
- 4. Socket** - Medium base 250V porcelain socket with nickel-plated copper screw shell and 200°C wire positions lamp at optical focal plane of reflector for maximum performance.
- 5. Junction box** - Large 32-cubic inch 16 gauge galvanized steel with snap-on covers. Approved for through wiring with up to 8 #12 AWG conductors.
- 6. Thermal protection** - A thermal protection device which meets all U.L. and NEC requirements is standard.
- 7. U.L. Listed** - For use in damp locations and approved for Through Branch Circuit Wiring. I.B.E.W. union made.

☛ Canadian Specifications may vary from these shown, consult Canadian Division.



CATALOG SYSTEM AND OPTIONS

EXAMPLE OF COMPLETE CATALOG NUMBER: **S4A19-T4CS**

Spex Aperture	Lamp (by others)	Reflector Series/Size	Reflector Finishes
S4	A19**	-	T4

- CS Clear Specular (low IR)
- CSS Clear Semi Specular
- HZ Haze
- PW Pewter
- WT Wheat
- FF Finish Flange (add as suffix to color)

*Consult Factory for other reflector finishes.
 **UL listed for A19 lamps up to 100watt max.



OMEGA LIGHTING:
 776 South Green St., Tupelo, MS 38804
 Phone 662.842.7212 FAX 662.841.5501
www.omegalighting.com

CANADIAN DIVISION:
 189 Bullock Drive, Markham, Ontario, Canada L3P 1W4
 Phone 905.294.9570 FAX 800.268.0003

OMEGA
 LIGHTING

S4100A19-CS

Photometric Data

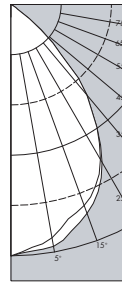
Clear Specular Reflector

Report Number: 24437
 Lamp: (1)100A19 SOFT WHITE
 Total Lumens: 1750
 Fixture Efficiency: = 57.7%
 IES File: F24437.IES
 S/MH Ratio = 1.1
 Beam Angle: 77.28

LIGHTING PERFORMANCE DATA

CEILING HEIGHT* (FT.)	INITIAL FOOTCANDLES	BEAM DIAMETER (FT.-IN.)
8	23.5	8 - 10
10	12.7	11 - 12
12	7.9	15 - 2
14	5.4	18 - 5
16	3.9	21 - 7

DISTRIBUTION CURVE



DEGREES	CANDELA		FOOT-LAMBERTS
	AT 0°	AT 90°	
90	0	1	
85	0	1	207
75	1	1	139
65	2	2	170
55	23	18	1287
45	202	198	10182
35	425	425	
25	567	585	
15	629	664	
5	691	701	
0	712	712	

COEFFICIENTS OF UTILIZATION ZONAL CAVITY METHOD

Effective Floor Cavity Reflectance 0.20

RC	80		70		50	
	50	30	50	30	50	30
0	68	68	68	68	67	67
1	65	63	61	59	64	61
2	60	57	55	53	59	56
3	57	53	50	47	56	53
4	54	48	45	42	53	47
5	51	45	40	39	50	45
6	47	41	38	34	46	40
7	45	39	34	32	44	38
8	41	35	32	28	40	35
9	40	34	29	27	39	33
10	38	30	28	25	36	30

Additional photometric test files are available @ omegalighting.com