

# S6HA19/21

## 6" Horizontal A-Lamp Reflector Downlights

# SPEX

# SX2-9

REV. 06/04

CAT. NO:

TYPE:

PROJECT:



### PRODUCT INFORMATION

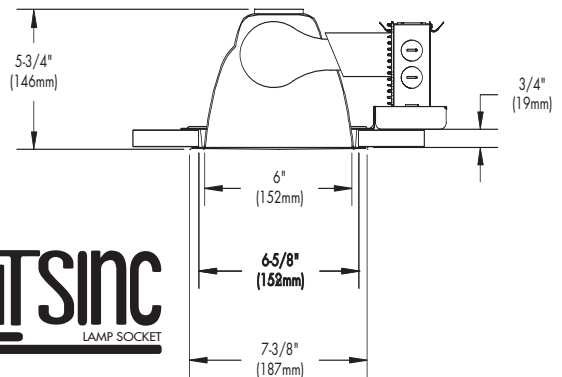
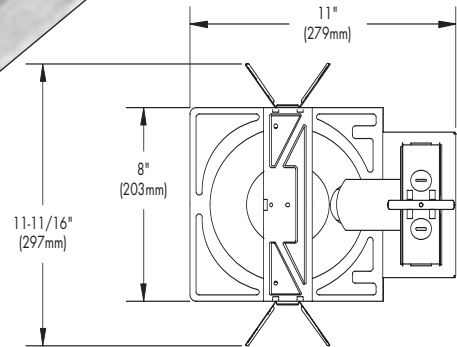
#### Applications

A shallow housing open reflector downlight for use with economical A type incandescent lamps. Provides a broad, uniform light distribution with high efficiency. Excellent for use in shallow plenum spaces and for areas such as lobbies, corridors, reception areas, restaurants and offices.

#### Specifications

- 1. Mounting pan** - Precision die-stamped 20 gauge galvanized steel mounting pan and yoke assembly. Accommodates ceiling materials up to 3/4" thick.
- 2. Installation** - Mounting pan has pre-installed universal mounting brackets with vertical adjustment. Junction box and mounting brackets are accessible from below ceiling. For 30" C-channel hanger bars, specify Q1030 accessory, ordered separately. For 27" flat bar hangers, specify Q1031 accessory, ordered separately.
- 3. Reflectors** - Precision spun .051 aluminum reflector, self flanged with clear specular Alzak finish. Reflector is screw mounted for positive attachment to socket assembly. Standard flat flange is painted white. Optional polished flange matching reflector finish available, add FF to catalog number.
- 4. Baffle** - Precision machined .051 aluminum with deep grooves to eliminate aperture glare, anodized matte black or matte white finish. Standard flat flange is painted white. Optional black flange available, add FF to catalog number.
- 5. Socket** - Medium base 250V porcelain socket with nickel-plated copper screw shell and 200°C wire positions lamp at optical focal plane of reflector for maximum performance.
- 6. Junction box** - Large 32-cubic inch 16 gauge galvanized steel with snap-on covers. Approved for through wiring with up to 8 #12 AWG conductors.
- 7. Thermal protection** - A thermal protection device which meets all U.L. and NEC requirements is standard.
- 8. U.L. Listed** - For use in damp location. Approved for Through Branch Circuit Wiring. I.B.E.W. union made.

☛ Canadian Specifications may vary from these shown, consult Canadian Division.



**HeatSinc**  
LAMP SOCKET

6

### CATALOG SYSTEM AND OPTIONS

EXAMPLE OF COMPLETE CATALOG NUMBER: **S6HA19/21-T6HCS**

Spex Aperture	Lamp (by others)	Reflector Series/Size	Lamp Configuration	Reflector Options	Reflector Finish*
S6	HA19/21**	-	T6 H Horizontal	BB Black Baffle WB White Baffle	CS Clear Specular (low IR) CSS Clear Semi Specular HZ Haze PW Pewter WT Wheat FF Finish Flange (add as suffix to color)



\*Consult Factory for other reflector finishes.  
\*\*UL listed for A19 lamps up to 100watt max.  
\*\*UL listed for A21 lamps up to 150watt max.

**OMEGA LIGHTING:**  
776 South Green St., Tupelo, MS 38804  
Phone 662.842.7212 FAX 662.841.5501  
www.omegalighting.com

**CANADIAN DIVISION:**  
189 Bullock Drive, Markham, Ontario, Canada L3P 1W4  
Phone 905.294.9570 FAX 800.268.0003

**OMEGA**  
LIGHTING

## S6H100A19-T6HCS

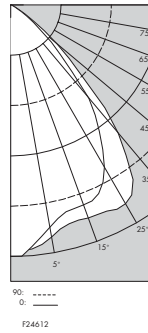
### Photometric Data

#### Clear Alzak® Reflector

Report Number: 24612  
 Lamp: (1)100A19 SOFT WHITE  
 Total Lumens: 1047  
 Fixture Efficiency: = 61.2%  
 IES File: F24612.IES  
 S/MH Ratio = 1.1, 1.3  
 Beam Angle: 83.67

LIGHTING PERFORMANCE DATA		
CEILING HEIGHT* (FT.)	INITIAL FOOTCANDLES	BEAM DIAMETER (FT.-IN.)
8	21.5	9 - 10
10	11.5	13 - 5
12	7.2	17 - 0
14	4.9	20 - 7
16	3.6	24 - 2

### DISTRIBUTION CURVE



DEGREES	CANDELA		FOOT-LAMBERTS
	AT 0°	AT 90°	
90	0	0	
85	1	1	184
75	3	4	216
65	9	11	379
55	50	72	1702
45	181	262	5012
35	399	551	
25	538	588	
15	553	585	
5	627	633	
0	649	649	

### COEFFICIENTS OF UTILIZATION ZONAL CAVITY METHOD

Effective Floor Cavity Reflectance 0.20

RC	80		70		50	
	50	30	50	30	50	30
0	72	72	72	72	70	70
1	68	67	65	63	67	65
2	64	60	57	55	63	59
3	59	56	52	48	58	55
4	56	51	46	44	55	50
5	53	46	41	39	52	46
6	48	42	38	34	47	41
7	46	39	34	32	45	39
8	42	35	32	28	42	35
9	40	34	28	27	40	33
10	38	30	27	23	38	30

6

## S6H150A21-T6HCS

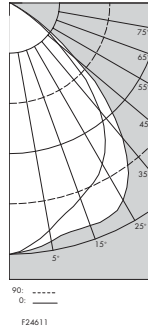
### Photometric Data

#### Clear Alzak® Reflector

Report Number: 24611  
 Lamp: (1)150A21  
 Total Lumens: 1647  
 Fixture Efficiency: = 58.6%  
 IES File: F24611.IES  
 S/MH Ratio = 1.1, 1.3  
 Beam Angle: 89.08

LIGHTING PERFORMANCE DATA		
CEILING HEIGHT* (FT.)	INITIAL FOOTCANDLES	BEAM DIAMETER (FT.-IN.)
8	30.0	10 - 10
10	16.1	14 - 9
12	10.0	18 - 8
14	6.9	22 - 8
16	5.0	26 - 7

### DISTRIBUTION CURVE



DEGREES	CANDELA		FOOT-LAMBERTS
	AT 0°	AT 90°	
90	0	1	
85	1	2	275
75	6	7	402
65	18	23	776
55	136	179	4393
45	391	491	9979
35	604	750	
25	717	852	
15	786	855	
5	878	895	
0	907	907	

### COEFFICIENTS OF UTILIZATION ZONAL CAVITY METHOD

Effective Floor Cavity Reflectance 0.20

RC	80		70		50	
	50	30	50	30	50	30
0	69	69	69	69	68	68
1	66	64	61	59	64	61
2	60	57	55	52	59	56
3	56	52	48	46	56	51
4	53	47	42	40	52	46
5	50	42	39	35	47	42
6	46	40	34	32	45	39
7	42	35	32	28	41	35
8	40	33	28	26	40	33
9	38	30	27	23	36	30
10	35	28	25	22	34	28

Additional photometric test files are available @ [omegalighting.com](http://omegalighting.com)