

CV5816

Low Voltage 12V Side by Side

Catalog Number: _____

Type _____

Project: _____



CV5816

Description

Low profile adjustable accent light for compact MR16 low voltage lamps. Transformer and lamp are housed in separate compartments to ensure cool operation and long lamp life. Designed for use on either circuit of Capri combination one or two circuit track.

Features

- Extruded housing construction with softly rounded edges and minimum profile.
- Fully adjustable lamp compartment permits aiming in any direction.
- Nylon scratch guard.
- cUL listed.
- Integral switch on track plug housing permits interruption of power for routine lamp maintenance.

CATALOG SYSTEM AND OPTIONS

SAMPLE CATALOG NUMBER: CV5816W

Track Head	Electronic Option	Finishes
<u>CV5816</u> MR16 50W	<u>E</u> electronic transformer	<u>W</u> White <u>BK</u> Black <u>SL</u> Silver

Accessories (order separately)

Louvers	Filters ¹
<u>CL816</u>	<u>CF1-12</u>

General Notes:

1. See back for filter details.

This product may be covered by one or more of the following U.S. Patents: #4,822,292, #4,931,917, #5,325,281. Other U.S. or Foreign Patents may apply.

SPECIFICATIONS

- Housing** - Separate lamp and transformer compartments of extruded aluminum with die-cast end plates. Vented slots in back of housing for cooling.
- Swivel** - Dual swivels with concealed internal wiring. Rotates 358° horizontally and swivels 90° vertically, permitting aiming in any direction, from horizontal to vertical.
- Transformer** - Reduces track line voltage (120V) to 12 volts. Integral transformer shall be a totally enclosed magnetic Class H transformer with a VA rating equal to the maximum lamp wattage listed for the fixture.

For electronic transformer specify "E" under electronic option.

- Socket** - Bi-pin silver plated double contact porcelain.
- Finishes** - Choice of painted finishes W (white), BK (black) or SL (silver).

Accessories (Order separately)
See above for ordering.

Color Filters - Choice of blue, red, green, amber, clear, yellow, pink or frosted. See back for details.

Spread Lens - For MR16 lamps specify **CF2**. See back

for details.

Linear Spread Lens - For MR16 specify **CF9**. See back for details.

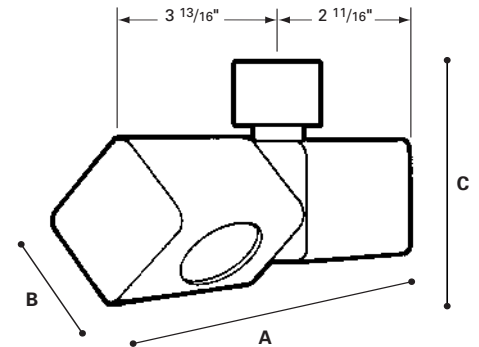
UV Filter - For MR16 specify **CF10**. See back for details.

Louvers - Matte black cell construction provides additional shielding and cutoff.

DIMENSIONS

Catalog #	Dimensions		
	A	B	C
CV5816	6 1/2" (165 mm)	2 3/4" (70 mm)	4 7/8" (124 mm)

Legend
Overall Length: **A**
Height: **B**
Max. Extension: **C**



REV. 09/05

LAMP DATA

LEGEND

- D** Distance from wall to track in feet.
- H** Distance from ceiling to center of object in feet.
- S** Spacing between fixtures for uniform (2:1) illumination.
- FC** Footcandle level at center of beam. Footcandle values have been cosine corrected.
- L** Effective visual beam length in feet.
- W** Effective visual beam width in feet.

Note: Beam spreads are measured to 50% MCP.

MR16 (BAB)

FLOOD



20W/12V FLOOD

RATED LIFE: 4000 hours BEAM SPREAD: 37°

		D = DISTANCE FROM WALL (FEET)											
		VERTICAL					VERTICAL						
		0'					5'						
H	S	FC	L	W	FC	L	W	FC	L	W	FC	L	W
2	1.6	137	1.3	1.3	48	3.0	1.9	35	3.1	2.8	24	3.5	3.0
3	2.4	61	2.0	2.0	24	5.7	2.4	21	4.5	2.8	17	4.5	3.4
4	3.2	34	2.7	2.7	12	8.0	2.9	13	6.9	3.3	12	6.0	3.8
5	4.0	22	3.3	3.3	7	11.0	3.6	8	10.0	3.9	8	8.2	4.3

MR16 (FRA)

SPOT



35W, 12V/SPOT

RATED LIFE: 4000 hours BEAM SPREAD: 20°

		D = DISTANCE FROM WALL (FEET)											
		VERTICAL					VERTICAL						
		0'					5'						
H	S	FC	L	W	FC	L	W	FC	L	W	FC	L	W
3	1.3	426	1.1	1.1	165	2.4	1.3	151	2.2	1.5	123	2.3	1.8
4	1.7	240	1.4	1.4	87	3.9	1.6	92	3.1	1.8	85	2.9	2.0
5	2.1	154	1.8	1.8	50	6.2	1.9	58	4.4	2.1	59	3.7	2.2
6	2.5	107	2.1	2.1	30	10.5	2.3	39	5.8	2.3	41	4.8	2.5

MR16 (EZY)

VERY NARROW SPOT



42W, 120V/VERY NARROW SPOT

RATED LIFE: 3500 hours BEAM SPREAD: 9°

		D = DISTANCE FROM WALL (FEET)											
		VERTICAL					VERTICAL						
		0'					6'						
H	S	FC	L	W	FC	L	W	FC	L	W	FC	L	W
4	0.8	817	0.6	0.6	315	1.3	0.8	289	1.3	0.9	248	1.3	1.0
6	1.2	363	0.9	0.9	132	2.3	1.0	141	2.0	1.1	138	1.9	1.2
8	1.5	204	1.3	1.3	64	3.8	1.3	74	3.1	1.4	78	2.8	1.5
10	1.9	131	1.6	1.6	33	6.7	1.7	42	4.7	1.7	47	3.9	1.7

MR16 (EXT)

SPOT



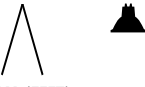
50W, 12V/SPOT

RATED LIFE: 4000 hours BEAM SPREAD: 14°

		D = DISTANCE FROM WALL (FEET)											
		VERTICAL					VERTICAL						
		0'					5'						
H	S	FC	L	W	FC	L	W	FC	L	W	FC	L	W
4	1.0	645	1.0	1.0	234	2.5	1.1	248	2.1	1.2	228	2.0	1.4
5	1.3	413	1.2	1.2	133	3.9	1.3	156	2.9	1.4	158	2.5	1.6
6	1.6	286	1.5	1.5	80	6.0	1.6	104	3.8	1.6	111	3.2	1.8
7	2.0	210	1.7	1.7	54	7.9	1.8	72	4.8	1.8	79	4.1	2.0

MR16 (EXZ)

NARROW FLOOD



50W, 12V/NARROW FLOOD

RATED LIFE: 4000 hours BEAM SPREAD: 27°

		D = DISTANCE FROM WALL (FEET)											
		VERTICAL					VERTICAL						
		0'					5'						
H	S	FC	L	W	FC	L	W	FC	L	W	FC	L	W
3	1.8	350	1.4	1.4	135	3.5	1.7	124	3.1	2.0	101	3.1	2.4
4	2.4	197	1.9	1.9	71	6.0	2.1	76	4.4	2.4	70	4.1	2.7
5	2.3	126	2.4	2.4	41	7.2	2.6	48	6.5	2.8	48	5.3	3.1
6	3.6	87	2.9	2.9	24	11.6	3.1	32	9.0	3.2	34	7.0	3.4

MR16 (EXN)

FLOOD



50W, 12V/FLOOD

RATED LIFE: 4000 hours BEAM SPREAD: 40°

		D = DISTANCE FROM WALL (FEET)											
		VERTICAL					VERTICAL						
		0'					5'						
H	S	FC	L	W	FC	L	W	FC	L	W	FC	L	W
2	1.6	477	1.5	1.5	168	3.4	2.1	122	3.4	3.1	85	3.8	3.3
3	2.4	212	2.2	2.2	82	6.6	2.6	75	5.0	3.1	61	4.9	3.6
4	3.3	119	2.9	2.9	43	10.0	3.2	46	7.9	3.6	42	6.7	4.1
5	4.0	76	3.6	3.6	25	14.0	3.9	29	13.0	4.2	29	9.2	4.6

FILTER ORDERING CHART

Catalog #	Diameter	Description
CF1	2"	Clear Glass
CF2	2"	Spread Lens Filter
CF3	2"	Medium Blue Filter
CF4	2"	Medium Red Filter
CF5	2"	Medium Green Filter

Catalog #	Diameter	Description
CF7	2"	Yellow Filter
CF8	2"	Pink Filter
CF9	2"	Linear Spread Lens
CF10	2"	UV Filter
CF11	2"	Frosted Lens
CF12	2"	Medium Amber Filter

Capri Lighting reserves the right to make changes without notice. ©2005