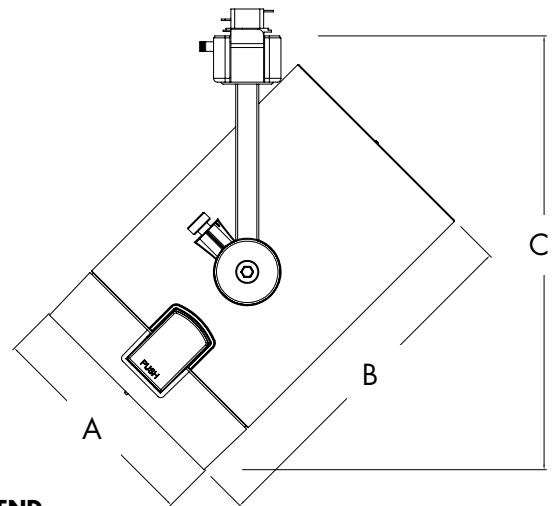


CT7435

CORE - Line Voltage

Catalog Number: _____
 Type: _____
 Project: _____

capri
 LIGHTING



PRODUCT DESCRIPTION

Die-cast aluminum lamp housing with a mounting stem profile. The CT7435 is designed for use with Capri's two circuit/ two neutral, 120V/20A track lighting system or monopoint canopy.

LEGEND

Diameter: A = 4-1/2" (115mm)
 Length: B = 7-1/4" (184mm)
 Max. Height: C = 9" (228mm)

CATALOG SYSTEM & OPTIONS

CATALOG NO.	FINISH	ACCESSORIES (ordered separately)	AVAILABLE LAMP SOURCE
CT7435	W - white BK - black SL - silver	CF13- CF18 see filter/lens chart on reverse side of sheet CL71 & CL74 - louvers CB71 - barndoors (available in white(W), black (BK) and silver(SL))	PAR30 (short neck) 75W max

SPECIFICATIONS

Lamp Housing - Die-cast aluminum housing, tilts vertically to 180° and rotates horizontally up to 360°. The housing comes standard with a toolless, front lens ring hinge and latch system for easy access to the lamp and accessories.

Swiss Movement Aiming System - The silk screened Swiss movement aiming system "clicks" into place to ensure precise aiming up to 180°. Attached set screw securely locks the lamp housing into the preferred aiming position.

Captive Media Ring - The smooth, black captive media ring holds up to three media, a louver and two lenses intact during relamping or maintenance.

Finishes - Wet coat finish is available in white (W), black (BK) and silver (SL).

On/Off Switch - Integral switch on the track plug housing permits safe interruption of power to the individual luminaire for routine relamping and maintenance.

Dimming - Dimming is available on the Capri track system; consult factory for dimming manufacturer compatibility.

ETL and c/ETL Listed

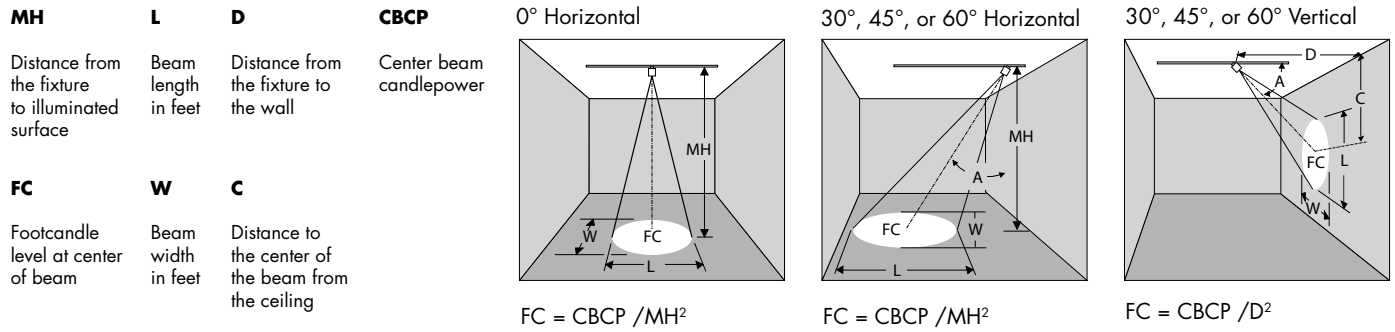
03/09

TR2-3

CAPRI LIGHTING: 776 South Green St., Tupelo, MS 38804 Phone 662.842.7212 FAX 662.841.5501

Capri Lighting is a Philips group brand

PHILIPS



PAR30 (short neck) HALOGEN LAMPS

	BEAM Spread	Rated Life	horizontal aiming angles								vertical aiming angles									
			0°				30°				30°				45°					
	9°	2500	MH	FC	L	W	MH	FC	L	W	D	C	FC	L	W	D	C	FC	L	W
75W PAR30 spot		15400	8	219	1.3	1.3	7	186	1.5	1.3	3	5.2	194	1.9	0.9	5	5	196	1.6	1.1
			12	97	1.9	1.9	10	91	2.1	1.8	4	6.9	109	2.6	1.3	7	7	125	2.3	1.6
			16	55	2.5	2.5	13	54	2.7	2.4	5	8.7	70	3.2	1.6	9	9	61	2.9	2
75W PAR30 narrow flood	25°	4000	8	50	4.3	4.3	7	42	5.1	4.3	3	5.2	44	8.2	3.2	5	5	45	5.8	3.8
			10	32	5.4	5.4	9	26	6.6	5.6	4	6.9	25	10.9	4.3	7	7	23	8.1	5.3
			12	22	6.4	6.4	11	17	8.1	6.8	5	8.7	16	13.7	5.4	9	9	14	10.4	6.6
75W PAR30 flood	40°	2100	6	56	4.4	4.4	5	52	5.1	4.2	2	3.5	63	9.7	2.9	4	4	44	6.7	4.1
			8	31	5.8	5.8	7	27	7.1	5.9	3	5.2	28	14.5	4.4	5	5	28	8.4	5.1
			10	20	7.3	7.3	9	16	9.1	7.6	4	6.9	16	19.3	5.8	6	6	20	10.1	6.2

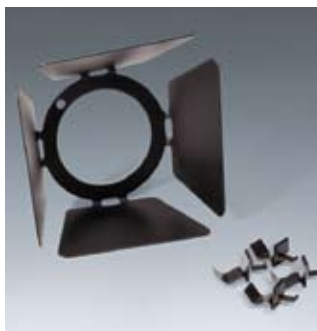
COLOR FILTERS & LENSES



- CF13** Blue Filter, 3-1/4" Dia.
- CF14** Red Filter, 3-1/4" Dia.
- CF15** Green Filter, 3-1/4" Dia.
- CF16** Amber Filter, 3-1/4" Dia.
- CF17** UV Filter, 3-1/4" Dia.
- CF18** Spread Lens, 3-1/4" Dia.

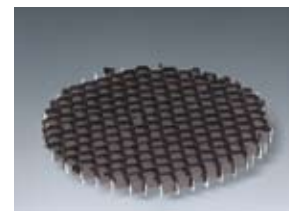
Note: UV Filters are available in other sizes. Consult factory.

BARNDOORS



Individually adjustable blades are used to create lamp shielding and tailor the size of a beam pattern to the illuminated area. Blades can be used to create horizontal cut-off (to keep light out of the viewer's eyes) or vertical cutoff (to stop light at the edge of a wall panel or at the intersection of two walls).
Finishes: W, SL, BK

CB71 Barn Door Set, 3-7/8" Dia. frame



- CL71** Honeycomb Louver, 3-3/8" Dia.
- CL74** Cube Louver, 3-3/8" Dia.

Capri Lighting reserves the right to make changes without notice. ©2008