

JOB NAME \_\_\_\_\_

TYPE \_\_\_\_\_



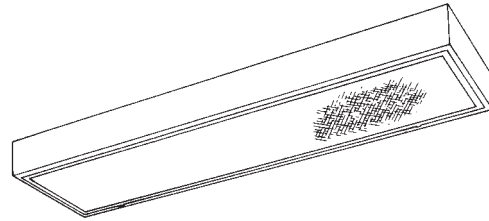
## SMR SERIES SURFACE MODULAR VANDAL RESISTANT

1' x 4'

1 or 2 Lamp T5, T5HO, T8 or T12

1, 2 or 3 lamp T5, T8 or T12

A premium quality surface modular for use in areas where vandalism is common.



### CONSTRUCTION/FINISH

- For surface or pendant mounting.
- 4" deep metal sided unit.
- Housing is multi-stage phosphate treated for maximum corrosion resistance and finish coat is high reflectance baked white enamel.
- K.O.'s provided in ends allow individual or continuous row mounting.

### ELECTRICAL

- Class P, HPF, ballasts comply with ©Federal Ballast Law (Public Law 100-357, 1988).
- UL listed for direct mounting on low density ceilings and damp locations.
- Canadian certified optional.
- Self-contained fluorescent emergency power packs can be incorporated, UL listed for dry location.

### ENCLOSURES

- Vandal-resistant door latches secured with TORX® T15 pin-in-head tamperproof screws. Special screwdriver (part# T15TPTOOL) available from Day-Brite.
- Vanguard high-impact extruded acrylic Gridless Octex; nominal thickness, 3/16", minimum weight 15 oz./sq. ft.
- Lens withstands impact of 70 ft. lbs. at 75° F, with the lens supported on all four edges.

**CATALOG NUMBER** (example: 1SMR232-TFS56-UNV-1/2EB)

<b>1</b>	<b>SMR</b>	-	<b>56</b>	-	-	-
<b>WIDTH</b>	<b>NO. OF LAMPS</b>	<b>DOOR FRAME</b>		<b>VOLTAGE</b>		<b>OPTIONS</b>
1 - 1'	(not included) 1 - 1 Lamp 2 - 2 Lamps 3 - 3 Lamps	<b>TFS</b> - Tamper Resistant Flat Steel <b>TFA</b> - Tamper Resistant Flat Aluminum		<b>120</b> - 120v <b>277</b> - 277v <b>347</b> - 347v <b>UNV</b> - Universal voltage, 120-277v (with T8/T5/T5HO electronic ballast option only)		<b>CM</b> - Canadian Market <b>1/2</b> - One 2-lamp ballast (electronic or non-standard) <b>1/3</b> - One 3-lamp ballast (electronic or non-standard) <b>1/21</b> - 2-lamp & 1-lamp ballasts (electronic or non-standard) <b>1/4</b> - One 4-lamp ballast (electronic or non-standard) <b>2/2</b> - Two 2-lamp ballasts (electronic or non-standard)
<b>FAMILY</b>	<b>LAMP TYPE/WATTAGE</b>	<b>LENS</b>				
<b>SMR</b> - Surface Modular	<b>28</b> - 28wT5 (46") <b>32</b> - 32wT8 (48") <b>40</b> - 40wT12 (48") <b>54HO</b> - 54wT5HO (46") (1 or 2 lamps only)	<b>56</b> - 3/6" DR Acrylic Lens				

#### Accessories:

- **T15TPTOOL** - Tamperproof Screwdriver

- With generic Electronic Ballasts (Brand selected by Day-Brite)  
Suffix Catalog # with- **Ballast Quantity** - \_\_\_ / \_\_\_ - **EB** **Lamps Per Ballast.**

**Example: -1/1-EB** = One 1 Lamp Electronic Ballast.

**Example: -1/2-EB** = One 2 Lamp Electronic Ballast.

- EB** - Electronic ballast, <20% THD
- EB10I** - Electronic ballast, instant start, <10% THD
- EB10R** - Electronic ballast, program rapid start, <10% THD
- E1** - DEB-1 emerg. ballast, 350-450 lumens, UL dry loc.
- E7** - DEB-7 emerg. ballast, 600-700 lumens, UL dry loc.
- E5** - DEB-5 emerg. ballast, 1100-1400 lumens, UL dry loc.
- E5ST** - DEB-5ST emerg. ballast w/self-test, 1100-1400 lumens, UL dry loc.
- GLR#** - Fusing, fast blow (# = number of ballasts)
- LPT735** - Installed lamps, 70+ CRI, 3500K
- 1W** - 1-way gasketing, between lens & door frame
- 2W** - 2-way gasketing, 1W + gasketing between door frame & housing
- 3W** - 3-way gasketing, 2W + gasketing for field installation between housing & ceiling

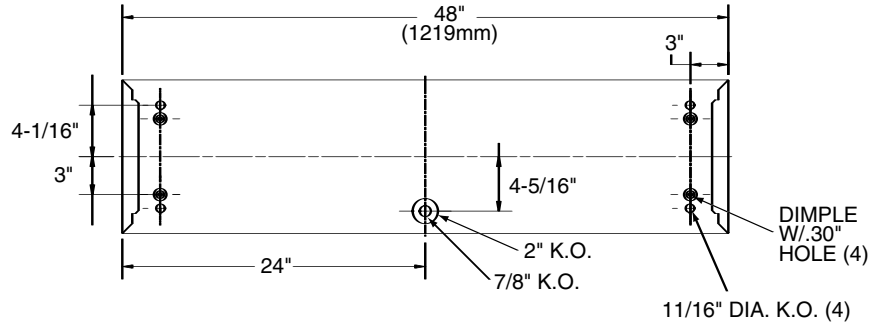
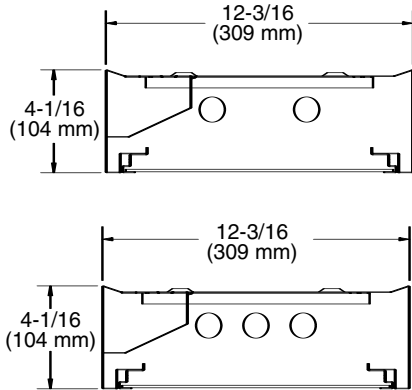
vr4010.1

# 1' x 4' VANDAL RESISTANT



Vandal Resistant  
by Day-Brite Lighting

## DIMENSIONS



## PHOTOMETRIC DATA

CATALOG # 1SM232-TFS56-1/2-EB  
TEST # 16313 S/MH= 1.2

LAMPS = F32 T8  
BALLAST = ELECTRONIC

INPUT WATTS = 60  
BALLAST FACTOR = .92

LER = FL-50

COMPARATIVE YEARLY LIGHTING ENERGY COST PER 1000 LUMENS = \$4.80 BASED ON 3000 HRS. AND \$.08 PER KWH.

FIXTURE EFFICIENCY= 56.1%

CANDLEPOWER			
Angle	End	45	Cross
0	1462	1462	1462
5	1463	1462	1450
10	1444	1442	1439
15	1410	1413	1411
20	1364	1373	1373
25	1302	1319	1303
30	1226	1232	1214
35	1131	1128	1112
40	1014	1006	1017
45	847	857	908
50	598	620	581
55	408	455	399
60	291	331	288
65	191	212	181
70	133	149	146
75	115	99	127
80	80	71	81
85	40	44	41

### MAINTAINED ILLUMINATION TABLE- Square Feet/Fixture\*

- 80-50-20 Reflectances (Ceiling-Wall-Floor)
- LLF = 0.76 2900 Lumens/Lamp very clean
- Room width divided by room height = 5 or more, 2 or 1

Fixture Size & # of Lamps	Room Width Room Height =	Approx. Area (sq. ft.) per Fixture			
		10 ft-c	30 ft-c	50 ft-c	70 ft-c
1' X 4'	5	-	88	53	38
2 Lamp	2	-	63	38	-
	1	141	47	-	-

\*Observe Fixture S/MH Requirements for Specific Applications

Average LUMINANCE CD/SQ.M with 2900 Lumen Lamps			
ANGLE	END	45°	CROSS
45	4069	4117	4362
55	2416	2695	2363
65	1535	1704	1455
75	1509	1299	1667
85	1559	1715	1598

Room Size	TYPICAL V.C.P.'s Mounting Height			
	Lengthwise	8.5	10	Crosswise
30x30	63	67	62	66
40x40	59	62	59	62
60x30	65	68	65	68
60x60	56	58	56	58
100x100	54	55	54	55

### COEFFICIENT OF UTILIZATION

pfc pcc pw RCR	20			70			50		
	70	50	30	70	50	30	50	30	
0	67	67	67	65	65	65	61	61	
1	61	59	57	59	57	56	56	54	
2	56	53	50	56	52	48	50	47	
3	53	46	42	51	46	42	45	41	
4	48	42	38	46	41	38	40	36	
5	45	39	34	44	38	34	36	33	
6	41	34	29	40	34	29	34	29	
7	39	32	27	38	32	27	30	27	
8	35	28	25	35	28	25	28	23	
9	34	27	23	33	27	23	26	22	
10	32	25	20	30	25	20	23	20	

### LIGHT DISTRIBUTION

DEGREES	LUMENS	% LAMP	% FIXTURE
0-30	1140	19.6	35.0
0-40	1842	31.8	56.6
0-60	2884	49.7	88.6
0-90	3255	56.1	100.0

LLF = .76 LLF = LIGHT LOSS FACTOR LLF = LDD X LLD X BF LDD = VERY CLEAN 0.94 CLEAN 0.90  
LLD = 0.88 @ 40% RATED LAMP LIFE BF = 0.92 ELECTRONIC BALLAST & T8 LAMP (RELAMP AT 70% LAMP LIFE)