

JOB NAME \_\_\_\_\_

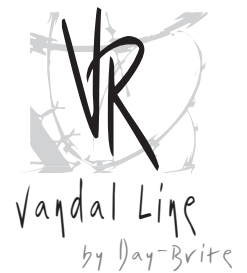
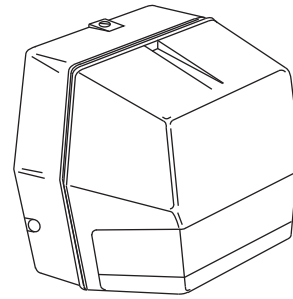
TYPE \_\_\_\_\_

## VL SERIES CUTOFF WALL LIGHT (HID)

50-100 watt Metal Halide

35-150 watt High Pressure Sodium

Ideal for applications concerned with dark sky, light pollution and subject to vandalism.



### CONSTRUCTION/FINISH

- Back housing is die cast aluminum and mounts easily to 3-1/2" or 4" outlet box.
- Decorative one-piece injection molded lens. UV stabilized polycarbonate provides for maximum vandal resistance and long life. Secured by stainless steel tamper-resistant TORX® T15 pin-in-head tamperproof screws, includes driver bit.
- Lens is painted dark bronze and exposes only the bottom portion to help eliminate uplight that leads to unwanted light pollution.
- Reflector is formed and painted diffuse-white providing even light distribution.
- 3/4" threaded conduit top entry with closed-up plug. 3/4" knockouts on each side for surface conduit entry.

### ELECTRICAL

- UL 1598 Listed for wet location at 25°C.
- Socket is medium base porcelain with center contact. UL Listed 600V, 4KV pulse rated.

### ENERGY DATA

#### HIGH PRESSURE SODIUM

REACTOR BALLAST INPUT WATTS

35 watt-46 watts

HX-HPF BALLAST INPUT WATTS

50 watt-66 watts

70 watt-91 watts

100 watt-130 watts

150 watt-188 watts

#### METAL HALIDE

HX-HPF BALLAST INPUT WATTS

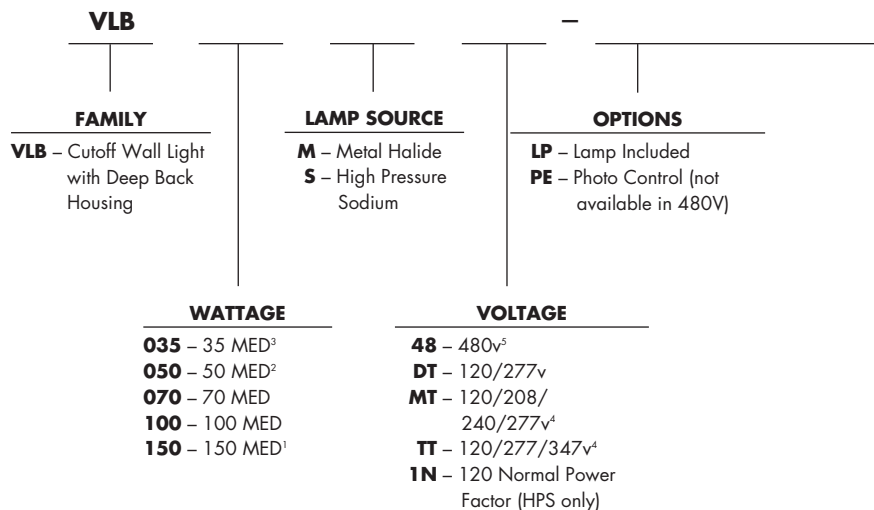
50 watt-72 watts

70 watt-90 watts

100 watt-129 watts

150 watt-189 watts

### CATALOG NUMBER (example: VLB150S48-LP)



### ACCESSORIES (order separately)

- WLC-PEC12 - Photo control 120 volt
- WLC-PEC27 - Photo Control 208-277 volt
- PEC-MT - Photo Control multi-volt
- PEC-48 - Photo Control 480 volt
- WLC-SB - Die cast aluminum surface mounting box
- WG8 - Wire Cage (Fully encloses luminaire)

#### Footnotes:

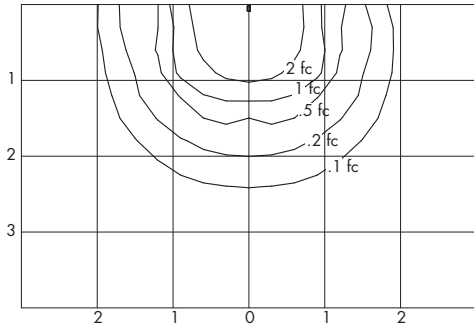
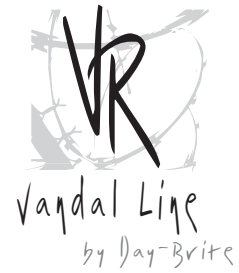
- <sup>1</sup>High Pressure Sodium Only.
- <sup>2</sup>DT only.
- <sup>3</sup>120V High Pressure Sodium only.
- <sup>4</sup>70-150W only.
- <sup>5</sup>Not available in 70 watt Metal Halide.

#### General Notes:

- All options are factory installed.
- All accessories are field installed.
- HID lamps are Medium Base.

**Warning:** Refer to and follow lamp manufacturer's warnings and instructions.

# VL SERIES CUTOFF WALL LIGHT (HID)



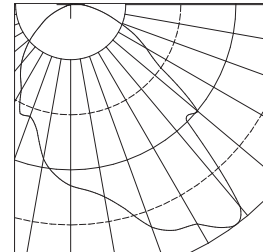
UNITS SHOWN IN TERMS OF MOUNTING HEIGHT  
INITIAL FOOTCANDLES SHOWN

CATALOG NUMBER: VLB050M  
 TEST NUMBER: 23260  
 LAMP: METAL HALIDE  
 WATTAGE: 30  
 LUMENS: 3,100  
 TILT ANGLE: 0°  
 MOUNTING HEIGHT: 10 FEET

### LIGHT LEVEL MULTIPLYING FACTORS

MOUNTING HEIGHT	MULTIPLIER
20'	0.25
15'	0.44
12'	0.69
10'	1.00
8'	1.56

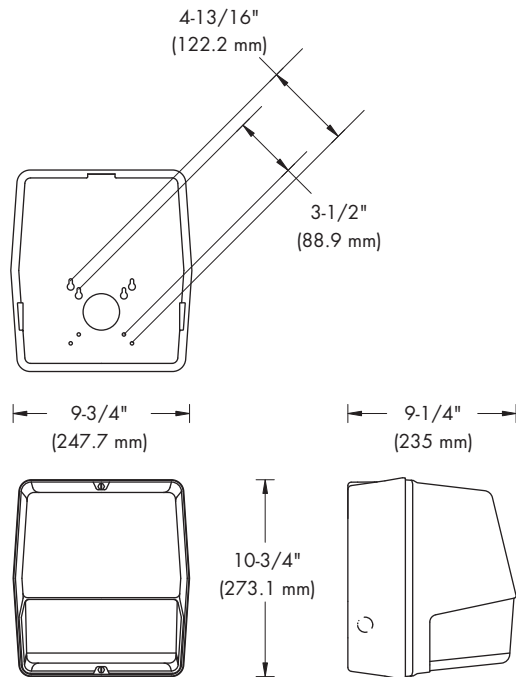
### POLAR GRAPH



### ADDITIONAL TEST NUMBERS

DESCRIPTION/CATALOG NUMBER	TEST NUMBER
VLB070M	23230-1P

### DIMENSIONS



WEIGHT = 17 lbs. (max.)

VRS3016

DAY-BRITE LIGHTING • [www.daybritelighting.com](http://www.daybritelighting.com)  
 776 South Green Street • Tupelo, Mississippi 38804 • PH: (662) 842-7212 • FAX: (662) 841-5501  
**CANADIAN DIVISION**  
 189 Bullock Drive • Markham, Ontario L3P 1W4 • PH: (905) 294-9570 • FAX: (905) 294-9811  
 ©JULY 2008 DAY-BRITE LIGHTING DAY-BRITE RESERVES THE RIGHT TO MAKE CHANGES WITHOUT NOTICE.

**PHILIPS**