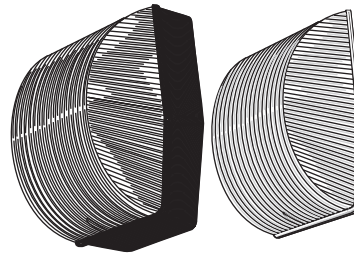
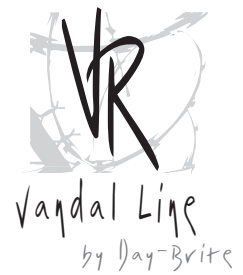


JOB NAME _____

TYPE _____



VS SERIES SURFACE MOUNT LUMAIRES (FLUORESCENT)

18-42 watt Single or Double Compact Fluorescent Lamp

Dramatic nighttime effects can be achieved while providing safety and security to vandal prone areas. The sleek appearance and smooth lines will enhance the design of any application requiring greater protection from abuse.

CONSTRUCTION/FINISH

- Back housing is die cast aluminum or heavy duty steel depending on lamp wattage. Mounts easily to 3-1/2" or 4" outlet box.
- Decorative one piece injection-molded lens is a UV stabilized polycarbonate for vandal resistance and long life. Secured by stainless steel TORX® T15 pin-in-head tamperproof screws, includes driver bit.
- Reflector is formed and painted diffuse-white providing even light distribution.
- 3/4" threaded conduit top entry with closed-up plug. 3/4" knockouts on each side for surface conduit entry on die cast box only.

ENERGY DATA

Lamp Watts	Lamp Quantity	Input Watts
18	1	20
18	2	39
26	1	29
26	2	54
32	1	36
32	2	68
42	1	48
42	2	91

ELECTRICAL

- UL 1598 Listed for wet location at 25°C.

Day-Brite is a Philips group brand **CATALOG NUMBER** (example: VSP32CC27-LP)

PHILIPS

FIXTURE

- VSP** - Perimeter Trim
- VST** - Top Trim
- VSF** - Front Trim
- VSB** - Top & Bottom Trim
- VSD** - Top & Front Trim
- VSH** - Half Trim

LAMP SOURCE

- C** - Compact Fluorescent Single Lamp
- D** - Compact Fluorescent Dual Lamp

TRIM FINISH COLORS

- BLANK** - Dark Bronze
- BK** - Black
- WT** - White
- AL** - Aluminum Color

OPTIONS

- LP** - Lamp Included
- BDL940/E** - Integral DEB-9 Emergency Ballast - Single Lamp 42W and Dual Lamp 18-32W (requires die-cast back box)
- B4CF1/E** - Cold Weather Emergency Ballast (-20°C to 55°C)
- CUL** - CUL Listed to meet CSA standards
- PE** - Photo Control (VSH only, not available in 480v)

WATTAGE

- 18C** - 18 watt
- 26C** - 26 watt
- 32C** - 32 watt
- 42C** - 42 watt

VOLTAGE

- DT** - 120/277v
- U** - Universal 108-305v

General Notes:

All options are factory installed.
 All accessories are field installed.
 GX24q lamp base for Compact Fluorescent

Warning: Refer to and follow lamp manufacturer's warnings and instructions.

ACCESSORIES (order separately)

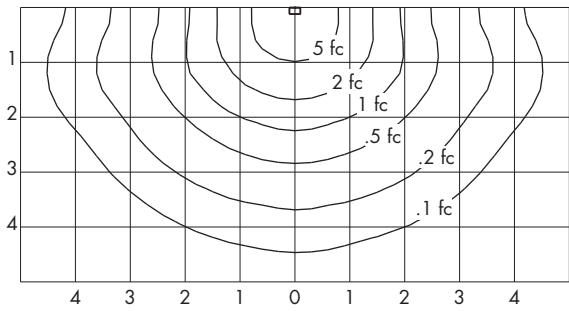
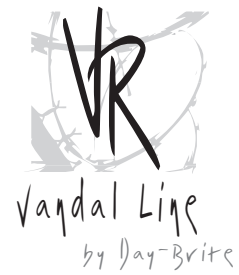
- CSH-PEC12 - Photo control 120 volt (VSH only)
- CSH-PEC27 - Photo Control 208-277 volt (VSH only)
- WLS-SB - Die cast aluminum surface mounting box
- WG8 - Wire Cage (Fully encloses luminaire)

Day-Brite is a Philips group brand

PHILIPS

VS3020.1

VS SERIES SURFACE MOUNT LUMINAIRES (CFL)



CATALOG NUMBER: VSP32CD
 TEST NUMBER: 17780
 LAMP: COMPACT FLUORESCENT
 WATTAGE: 32
 LUMENS: 4,800
 TILT ANGLE: 0°
 MOUNTING HEIGHT: 10 FEET

UNITS SHOWN IN TERMS OF MOUNTING HEIGHT
 INITIAL FOOTCANDLES SHOWN

LIGHT LEVEL MULTIPLYING FACTORS

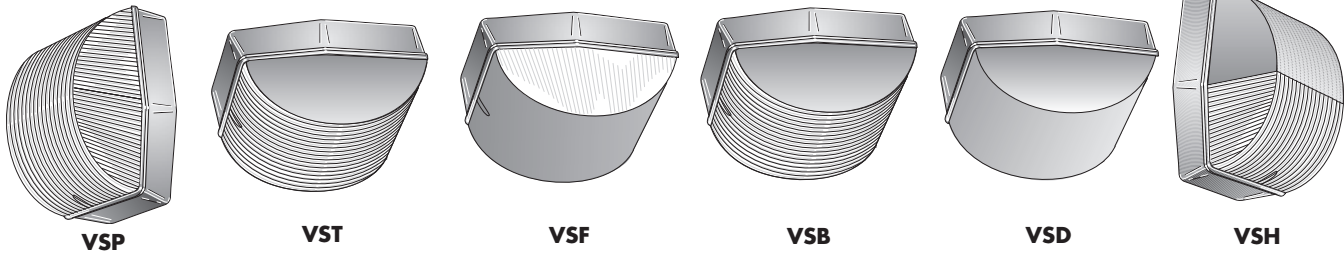
MOUNTING HEIGHT	MULTIPLIER
20'	0.25
15'	0.44
12'	0.69
10'	1.00
8'	1.56

ADDITIONAL TEST NUMBERS

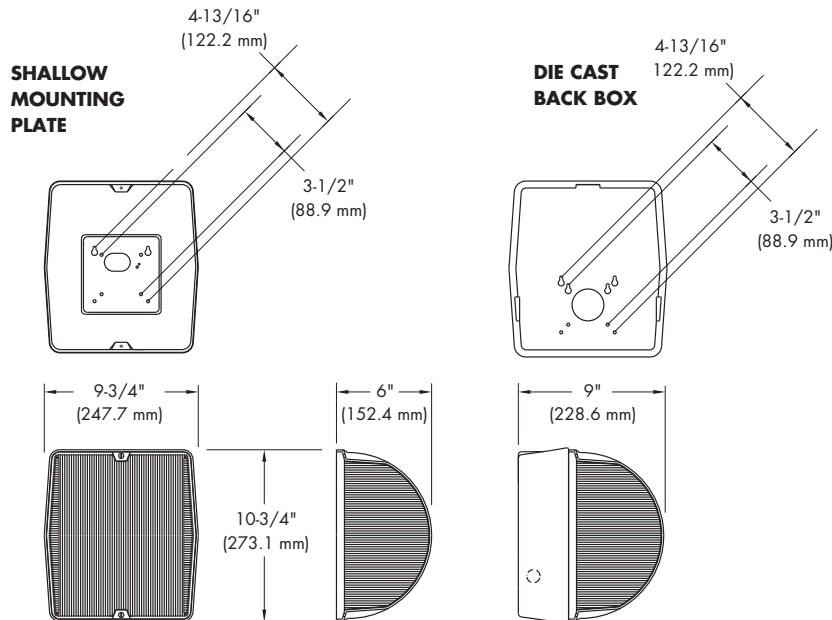
DESCRIPTION/CATALOG NUMBER	TEST NUMBER
VST32CD	17777
VSB32CD	17778
VSF32CD	17779
VSH32CD	17784

TRIM OPTIONS

SHOWN WITH BACK BOX



DIMENSIONS



COMPACT FLUORESCENT	SHALLOW MOUNTING PLATE	DIE CAST BACK BOX
VSH (Single 18-42W)	X	
VSH (Dual 18-26W)	X	
VSH (Dual 32-42W)		X
VSB (Single 18-42W)	X	
VSB (Dual 18W)	X	
VSB (Dual 26-42W)		X
VST (Single 18-42W)	X	
VST (Dual 18W)	X	
VST (Dual 26-42W)		X
VSP (Single 18-42W)	X	
VSP (Dual 18W)	X	
VSP (Dual 26-42W)		X
VSF (Single 18-42W)	X	
VSF (Dual 18W)	X	
VSF (Dual 26-42W)		X
VSD (Single 18-42W)	X	
VSD (Dual 18W)	X	
VSD (Dual 26-42W)		X

WEIGHT = 11 lbs. (max.)

VR3020.1

DAY-BRITE LIGHTING • www.daybritelighting.com
 776 South Green Street • Tupelo, Mississippi 38804 • PH: (662) 842-7212 • FAX: (662) 841-5501
CANADIAN DIVISION
 189 Bullock Drive • Markham, Ontario L3P 1W4 • PH: (905) 294-9570 • FAX: (905) 294-9811
 ©JULY 2008 DAY-BRITE LIGHTING DAY-BRITE RESERVES THE RIGHT TO MAKE CHANGES WITHOUT NOTICE.

PHILIPS