

JOB NAME _____

TYPE _____

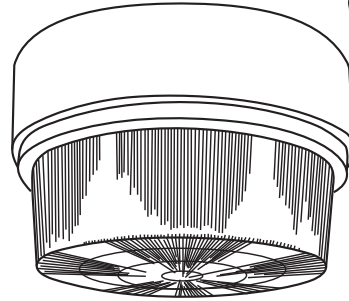


Vandal Resistant
by Day-Brite Lighting

VSR SERIES SURFACE MOUNT ROUND LUMINAIRE

35-150 watt High Pressure Sodium
50-100 watt Metal Halide
26 Watt & 42 Watt Double Compact Fluorescent

Recommended for exterior applications prone to vandalism and abuse. Designed for areas where safety and security are critical.



CONSTRUCTION/FINISH

- Heavy duty die cast housing is finished in dark bronze.
- Lens is clear prismatic polycarbonate and UV stabilized, nominal thickness .125".
- One piece silicone gasket seals perimeter to prevent moisture and contaminants from entering housing.
- Two 1/2" threaded plugs for conduit entry.
- Stainless steel TORX® T15 pin-in-head tamperproof screws.

ELECTRICAL

- UL 1598 Listed for wet location when wall mounted or in covered ceiling applications.

PRODUCT AVAILABILITY

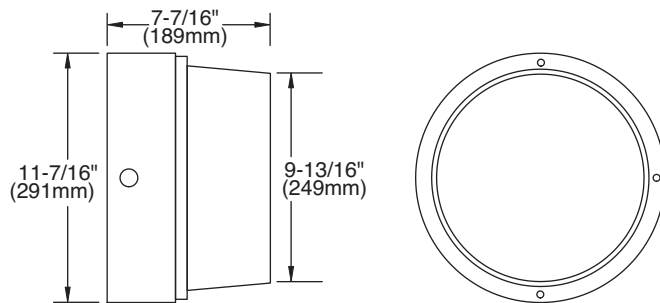
Catalog No.	Family	Housing Size	No. Lamps/ Lamp Source	Voltage	Lamp Included
VSR4035S12	Round	11"	(1) 35 watt HPS	120 volt	Yes
VSR4050S12	Round	11"	(1) 50 watt HPS	120 volt	Yes
VSR4070S12	Round	11"	(1) 70 watt HPS	120 volt	Yes
VSR4050MMT	Round	11"	(1) 50 watt MH	Multi-tap	Yes
VSR4070MMT	Round	11"	(1) 70 watt MH	Multi-tap	Yes
VSR426CDMT	Round	11"	(2) 26 watt Compact Fluorescent	Multi-tap	Yes
VSR5035S12	Round	15"	(1) 35 watt HPS	120 volt	Yes
VSR5050S12	Round	15"	(1) 50 watt HPS	120 volt	Yes
VSR5070S12	Round	15"	(1) 70 watt HPS	120 volt	Yes
VSR5100S12	Round	15"	(1) 100 watt HPS	120 volt	Yes
VSR5150S12	Round	15"	(1) 150 watt HPS	120 volt	Yes
VSR5100MMT	Round	15"	(1) 100 watt MH	Multi-tap	Yes
VSR542CDMT	Round	15"	(2) 42 watt Compact Fluorescent	Multi-tap	Yes

VSR SERIES SURFACE MOUNT ROUND LUMINAIRE

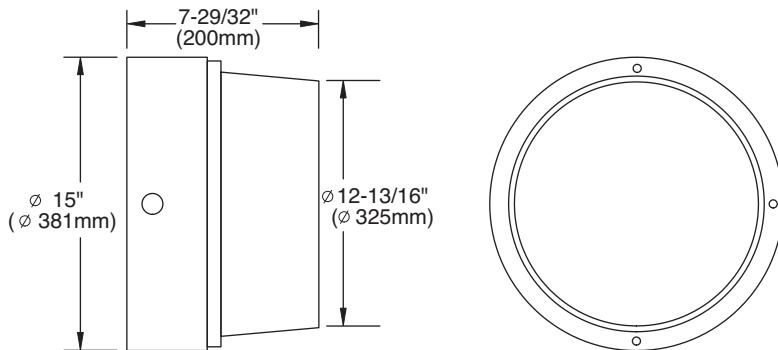


DIMENSIONS

VSR4 - 11" Housing



VSR5 - 15" Housing



WEIGHT = 10 lbs. (max.)

VRS3051

DAY-BRITE LIGHTING • www.daybritelighting.com
776 South Green Street • Tupelo, Mississippi 38804 • PH: (662) 842-7212 • FAX: (662) 841-5501
CANADIAN DIVISION
189 Bullock Drive • Markham, Ontario L3P 1W4 • PH: (905) 294-9570 • FAX: (905) 294-9811
©JULY 2008 DAY-BRITE LIGHTING DAY-BRITE RESERVES THE RIGHT TO MAKE CHANGES WITHOUT NOTICE.

PHILIPS