

Controls**Remote for Stand Alone
Control System**

LRD3520

5-Scene remote plus "OFF"

**Specifier's Reference**

Project

Type

Model No.

Comments

description

- The LRD3520 is a five button remote dimming station that provides channel Intensity control and five scene preset selection.

features

- Streamlined appearance and operations.
- Five-function configurations (5 scenes plus "OFF").
- Easy to install; mounts in a standard single-gang electrical box.
- Illuminated scene-select push buttons.
- Elegant, designer-style screwless faceplate. included.
- Able to gang with other designer-style electrical devices.
- Push buttons may be field-labeled.

specifications

- Input-LED Power: Five volts at 10 mA per LED.
- Switch Power: None.
- Output: 50 mA per momentary switch closure.
- Storage Temperature: -25° C to +85° C.
- Operating Temperature: 0° to 40° C.
- Finish: White faceplate with smoke-tinted buttons.

operation

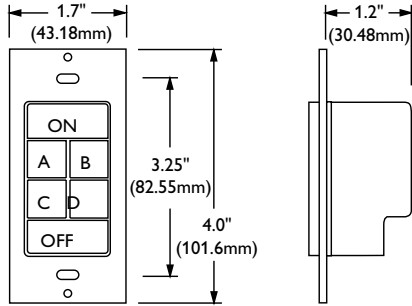
Each device is field-configurable, permitting functions to be changed without the use of programming terminals. Simply press the "ON", "OFF" or Scene Select Pushbuttons to select the desired function.

Ordering Information:

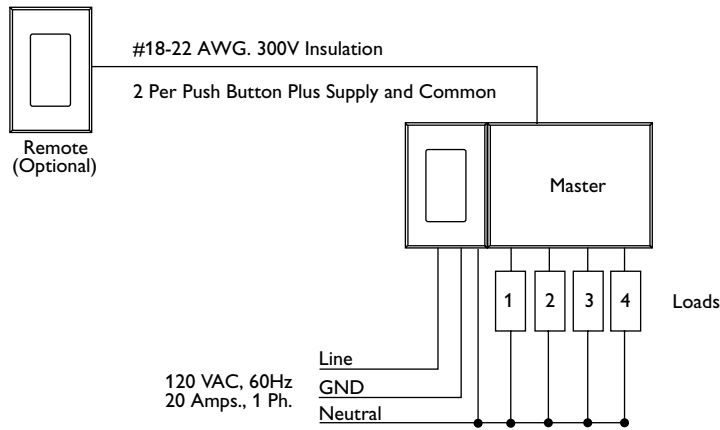
Part Number	Description	Color	Wattage Capacity	Watts/Channel
LRD3520WH	5-Scene Remote, Plus Off	White Bezel	N/A	N/A
LRD3520BK	5-Scene Remote, Plus Off	Black Bezel	N/A	N/A

dimensions

LRD3520



wiring diagrams



©2012 Philips Day-Brite
 All rights reserved.
 776 South Green Street • Tupelo, MS 38804
 p. 800.234.1890 • f. 662.841.5501 • www.daybrite.com
 Canadian Division
 189 Bullock Drive • Markham, Ontario L3P 1W4
 p. 905.294.9570 • f. 905.294.9811

Contact Factory for Additional Configurations.
 Specifications are subject to change without notice.